













# White-Rodgers heating season cross reference

2023-2024















Furnace & electronic controls.....	2
Gas valves.....	6
Ignitors & flame sensors.....	8
Cross reference.....	13












# FURNACE & ELECTRONIC CONTROLS

	Universal or OEM Direct Replacement	Stages	Control Type	Ign. Type	Ignitor Voltage	Inducer Motor	Blower Motor	Model Number	Control Mounting	Blower Motor Speed Taps	Thermostat Inputs	Includes Ignitor or Electrode	Twining	Includes Mounting Bracket	Includes Wiring Accessories	Communicating System	Includes Air & Coil Sensors	Replaced Models	
<b>Furnace Controls</b>																			
	Universal	Single Stage	Furnace Ctl.	HSI	120V*	PSC/ECMx	PSC/ECMx	<b>50M56X-843**</b>	Flush, Standoff, or Tab	Heat, Fan, Lo Cool, HI Cool	R, C, W, Y, Y/ Y2, G, DHUM	•	•			White-Rodgers Connect App		<b>550+</b>	
	Universal	Single Stage	Furnace Ctl.	HSI	120V	PSC	PSC	<b>50A55-843</b>	Flush Mount	Heat, Cool	R, C, W, Y G		•	•				<b>135</b>	
	Universal	Single Stage	Furnace Ctl.	HSI	80V only	PSC	PSC	<b>50A65-843</b>	Flush Mount	Heat, Cool	R, C, W, Y G							<b>38</b>	
	Universal	Two-Stage	Furnace Ctl.	HSI	120V*	PSC	PSC	<b>21M51U-843</b>	Flush Mount	Lo Heat, Hi Heat, Cool	R, C, W1, W2, YLo, Y, Y, G	•	•					<b>92</b>	
	Universal	Two-Stage	Furnace Ctl.	HSI	120V*	PSC	Variable Speed	<b>21V51U-843</b>	Standoff	16-pin Interface	R, B/C, W1, W2, YLo, Y, G, O, DHUM	•		•				<b>59</b>	
	Carrier	Single Stage	Furnace Ctl.	HSI	120V	PSC	PSC	<b>50M56U-751</b>	Cover	Heat, Cool, Fan	R, C, W, Y/Y2, Y1, G, DEHUM		•	•				<b>37</b>	
	Carrier	Single Stage	Furnace Ctl.	HSI	120V	PSC	PSC	<b>50M56D-751</b>	Flush Mount	Heat, Cool, Fan	R, C, W, Y, G, DEHUM		•	•				<b>13</b>	
	Carrier	Two-Stage	Furnace Ctl.	HSI	120V	PSC	PSC, Var. Speed, ECMx	<b>21V51D-751</b>	Tray	Lo Heat, Hi Heat, Cool	R, COM 24V, W/ W1, W2, Y1, Y/ Y2, G, DHUM		•					<b>23</b>	
	Carrier	Pilot Burner Assembly						<b>791P-751KT1</b>							•				<b>10</b>
	Goodman	Single Stage	Furnace Ctl.	HSI	120V	PSC	PSC	<b>50A55-743</b>	Standoff	Heat, Cool	R, C, W, Y G		•					<b>15</b>	
	Goodman	Single or Two Stage	Furnace Ctl.	HSI	120V	PSC	PSC	<b>50M56-743</b>	Standoff	Lo Heat, Hi Heat, Cool	R, C, W, Y, G							<b>9</b>	
	Goodman	Single Stage	Furnace Ctl.	HSI	120V	PSC	PSC	<b>50T35-743</b>	Standoff	Heat, Cool	R, G, W		•	•				<b>12</b>	






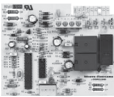



\* For 80V applications use 120 Volt Nitride Ignitor. \*\* Replaces 50M56U-843 and 50X57-843

# FURNACE & ELECTRONIC CONTROLS

	Universal or OEM Direct Replacement	Stages	Control Type	Ign.Type	Ignitor Voltage	Inducer Motor	Blower Motor	Model Number	Control Mounting	Blower Motor Speed Taps	Thermostat Inputs	Includes Ignitor or Electrode	Twinning	Includes Mounting Bracket	Includes Wiring Accessories	Communicating System	Includes Air & Coil Sensors	Replaced Models
	Goodman	Single or Two Stage	Furnace Ctl.	HSI	120V	PSC	PSC	50M56-743	Standoff	Lo Heat, Hi Heat, Cool	R, C, W, Y G							14
	Goodman	Single Stage	Furnace Ctl.	HSI	120V	PSC	PSC	50M56-707	Standoff	Heat, Cool	R, C, W, Y, G	•						14
	Goodman	Two-Stage	Integrated Furnace Control	HSI	120V	PSC	ECMx	50M58-707	Standoff	6-wire Interface	R, C, W1, W2, YLO, Y, G	•	•					10
	Goodman	Two-Stage	Furnace Ctl.	HSI	120V	Var. Speed	Var. Speed	50C51-707	Standoff	4-wire Interface	1, 2, R, C, W1, W2, Y1, Y2, G, O DHUM				•			18
	Lennox	Single Stage	Furnace Ctl.	HSI	80V only	PSC	PSC	21D83M-843	Standoff & Steel Panel	Heat, Cool, Fan	R, C, W, Y G			•	•			43
	Lennox	Single Stage	Furnace Ctl.	HSI	120V	PSC	PSC	50M56U-801	Standoff	Heat, Cool, Fan	R, C, W, Y G				•			42
	Lennox	Single Stage	Furnace Ctl.	HSI	80V only	PSC	PSC	50A66-743	Standoff	Heat, Cool, Fan	R, C, W, Y G							16
	Lennox/ICP	Single Stage	Integrated Intelligent Valve Retrofit Kit	HSI	120V	PSC	PSC	50I56D-905	Flush Mount	Heat, Cool	R, C, W, Y G	•			•			53
	Trane	Single Stage	Furnace Ctl.	HSI	120V	PSC	PSC	50A55-3797	Standoff	Heat, Cool	R, C, W, Y G							19
	Trane	Single Stage	Furnace Ctl.	HSI	80V only	PSC	PSC	50A65-5165	Standoff	Heat, Cool	R, C, W, Y G	•						18
	Trane	Two-Stage	Furnace Ctl.	HSI	120V*	Var. Speed	Var. Speed	50V54-820	Standoff	16-pin Interface	R, B/C W1, W2, Y, YLo, G, O, BK	•			•			20
	York	Single Stage	Furnace Ctl.	HSI	120V	PSC	PSC	50A56-956	Standoff or steel mounting bracket-supplied	Heat, Lo Cool, Hi Cool	R, C, W, Y1, Y/ Y2, G	•	•					27

	Universal or OEM Direct Replacement	Stages	Control Type	Ign. Type	Ignitor Voltage	Inducer Motor	Blower Motor	Model Number	Control Mounting	Blower Motor Speed Taps	Thermostat Inputs	Includes Ignitor or Electrode	Twinning	Includes Mounting Bracket	Includes Wiring Accessories	Communicating System	Includes Air & Coil Sensors	Replaced Models
<b>Non-Integrated Ignition Modules</b>																		
	Universal	Single Stage	Non-Integrated Ign. Module	HSI	24V 120V 240V	PSC		50E47U-843	Surface mount or 4" x 4" junction box		TH (W), TR (C)					White-Rodgers Connect App		325 Plus
	Universal	Single Stage	Non-Integrated Ign. Module	HSI	120V			50E47-843	Surface mount or 4 x 4 junction box		TH (W), TR (C)				•			183
	Universal	Single Stage	Non-Integrated Ign. Module	Intermittent Pilot / Direct Spark Ign.				50D50U-843	4 mounting holes for #8 screw		TH (W), TR (BRN GND)				•	White-Rodgers Connect App		1020
	Lennox	Single Stage	Non-Integrated Ign. Module	Proven / Intermittent Pilot - Spark				50D50-801	Surface mount or 4 x 4 junction box or with steel bracket		TH (W), TR (C)	•		•	•			44
<b>Fan Blower Control</b>																		
	Universal	Single Stage	Furnace Electronic Fan Timer	HSI, DSI, Intelligent Gas Valve		PSC	PSC	50F06-843	Tray		R, C, W, Y, G		•		•			162
<b>Air Handler Controls</b>																		
	Carrier	Single Stage Airflow	Air Handler Control				PSC or ECMx	48M55-751	Metal Standoff	1	R, C, G, W							10
	Carrier	Single Stage Airflow	Air Handler Control				PSC	48P55-751	Metal Standoff	1	R, C, G, W							7
	Goodman	Two-Stage Cooling	Air Handler Control				Variable Speed	48C21-707	Standoff	4-wire Interface	1, 2, R, C, W1, W2, Y1, Y2, G, O, DEHUM					•		14
	Rheem	Single Stage Airflow	Air Handler Control				PSC	48P21-811	Standoff	M1, Fan	R, C, G, W1, W2,				•			14
	Rheem	Single Stage Airflow	Air Handler Control				ECMx	48X21-811	Standoff	X13 SPD, X13 G, COM	R, C, G, W1, W2, Y1							9
	Trane	Single Stage	Air Handler Time Delay Relay				PSC	57T01-843	Metal Plate									7

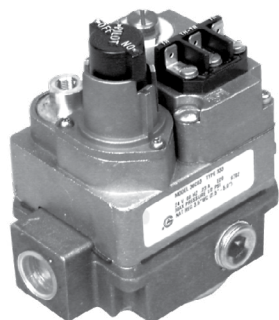


	Universal or OEM Direct Replacement	Stages	Control Type	Ign. Type	Ignitor Voltage	Inducer Motor	Blower Motor	Model Number	Control Mounting	Blower Motor Speed Taps	Thermostat Inputs	Includes Ignitor or Electrode	Twimming	Includes Mounting Bracket	Includes Wiring Accessories	Communicating System	Includes Air & Coil Sensors	Replaced Models
<b>Outdoor Controls</b>																		
	Universal	Single Stage	Universal Multi-Volt Contactor for AC or Refrigeration				PSC	49M11-843	Flush Mount		LINE VOLTAGE C, Y							362
	Universal	Single Stage	Universal Defrost Control				PSC	47D01U-843	Tray		R, C/B, Y, O/B, W/D/X2, WIN			•		•		438
	Goodman	Two-Stage	AC or Heat Pump Control				PSC or ECM	49S25-707	Standoff		1, 2, R, C, W1, Y1, Y2, O, L					•		18
	Rheem	Single Stage	Demand Defrost Control				PSC	47D40-801	Metal Standoff		R, C, Y, B, D						•	23
	Rheem	Single Stage	Demand Defrost Control				PSC or ECM	47D43-811	Plastic Standoff		R, C, Y, B, D						•	19
<b>Commercial / Rooftop Controls</b>																		
	Trane	Single Stage	Non-Integrated Ign. Module	HSI	120V	PSC	PSC	50E70-820	Standoff / Adaptor Board		SYSTEM 4 PIN CONNECTOR							15
	Trane	Two-Stage	Furnace Ctl.	Direct Spark			PSC	50N02A-820	Standoff / Adaptor Board	Hi, Low	R (24VAC), B (GND), W1, W2, Y, G							15
	Trane	Two-Stage	Furnace Ctl.	Direct Spark			PSC	50N02B-820	Sheet Metal Screws	Hi, Low	R (24VAC), B (GND), W1, W2, Y, G							7
	Trane		Adaptor Board					F50N02-820							•			4

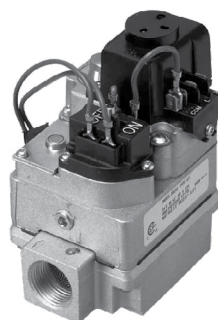
Model Number	Voltage	Stages / Opening Characteristic	Pipe Size	Regulator Setting	Natural Gas Adjustment Range (WC)	LP Gas Adjustment Range (WC)	LP Conversion Kit Included	Reducer Bushing Kit	Flow Direction	Side Taps	Inlet / Outlet Pressure Tap	Standing Pilot with Line Interrupter	HSI / DSI	Intermittent / Proven Pilot
<b>36C Series Standing Pilot</b>														
36C01A-405	120 Vac	1 - Stage Fast Opening	3/4" x 3/4"	3.5"	2.5"-5.0"	4.2"-11.0"	Yes	Yes	Straight Through	No	No / Yes	Yes <sup>1</sup>	No	No
36C03-300	24 Vac 60 Hz	1 - Stage Fast Opening	1/2" X 3/4"	3.5"	2.5"-5.0"	7.5"-12.0"	Yes	Yes	Straight Through	No	No / Yes	Yes	No	No
36C03-333	24 Vac 60 Hz	1 - Stage Fast Opening	1/2" X 3/4"	3.5"	2.5"-5.0"	7.5"-12.0"	Yes	Yes	Straight Through	Yes	Yes / Yes	Yes	No	No
36C03-400	24 Vac 60 Hz	1 - Stage Fast Opening	3/4" x 3/4"	3.5"	2.5"-5.0"	7.5"-12.0"	Yes	Yes	Straight Through	No	Yes / Yes	Yes	No	No
36C03-433	24 Vac 60 Hz	1 - Stage Fast Opening	3/4" x 3/4"	3.5"	2.5"-5.0"	7.5"-12.0"	Yes	Yes	Straight Through	Yes	Yes / Yes	Yes	No	No
36C03A-410	120 Vac 60 Hz	1 - Stage Fast Opening	3/4" x 3/4"	3.5"	2.5"-5.0"	7.5"-12.0"	Yes	Yes	Straight Through	No	No / Yes	Yes	No	No
36C03U-333	750 mV	1 - Stage Fast Opening	1/2" X 3/4"	3.5"	2.5"-5.0"	7.5"-12.0"	Yes	Yes	Straight Through	Yes	Yes / Yes	Yes	No	No
36C03U-433	750 mV	1 - Stage Fast Opening	3/4" x 3/4"	3.5"	2.5"-5.0"	7.5"-12.0"	Yes	Yes	Straight Through	Yes	Yes / Yes	Yes	No	No
36C53-418	24 Vac 60 Hz	1 - Stage Slow Opening	3/4" x 3/4"	3.5"	2.5"-5.0"	7.5"-12.0"	No <sup>2</sup>	Yes	Straight Through	No	No / Yes	Yes	No	No
<b>36C Series HSI / DSI, Intermittent / Proven Pilot</b>														
36C74-913	24 Vac 60 Hz	Step Open	3/4" x 3/4"	0.9"/3.5"	2.5"-5.0"	Nat. Only	No	Yes	Straight Through	No	Yes / Yes	No	Yes	Yes
<b>36C Series Intermittent / Proven Pilot</b>														
36C94-303	24 Vac 60 Hz	Delay Slow	1/2" X 3/4"	3.5"	2.5"-5.0"	7.5"-12.0"	Yes	No	Straight Through	No	Yes / Yes	No	No	Yes
<b>36C Series Cycle Pilot</b>														
36C84-912	24 Vac 60 Hz	1 - Stage Fast Opening	3/4" x 3/4"	3.5"	2.5"-5.0"	7.5"-12.0"	Yes	Yes	Straight Through	No	Yes / Yes	No	No	Cycle Pilot
36C84-921	24 Vac 60 Hz	1 - Stage Fast Opening	3/4" x 3/4"	3.5"	2.5"-5.0"	7.5"-12.0"	Yes	Yes	Straight Through	No	Yes / Yes	No	No	Cycle Pilot
36C84-923	24 Vac 60 Hz	1 - Stage Fast Opening	3/4" x 3/4"	3.5"	2.5"-5.0"	Nat. Only	No	No	Straight Through	No	Yes / Yes	No	No	Cycle Pilot
36C84-926	24 Vac 60 Hz	1 - Stage Fast Opening	3/4" x 3/4"	3.5"	2.5"-5.0"	Nat. Only	No	Yes	Straight Through	No	No / No	No	No	Cycle Pilot
36C84-945	24 Vac 60 Hz	1 - Stage Fast Opening	3/4" x 3/4"	3.5"	2.5"-5.0"	7.5"-12.0"	Yes	Yes	Straight Through	No	Yes / Yes	No	No	Cycle Pilot
36C94-906	24 Vac 60 Hz	1 - Stage Slow Opening	3/4" x 3/4"	3.5"	2.5"-5.0"	Nat. Only	No	Yes	Straight Through	No	Yes / Yes	No	No	Cycle Pilot

<sup>1</sup> 36C01A-405 has pilot port but no thermocouple line interrupter. <sup>2</sup> 36C53-418 order F92-0659 Nat. to LP conversion kit for 7.5-12.0 range. <sup>3</sup> Use F92-0659 to convert to regulated L.P. gas. <sup>4</sup> To measure outlet pressure on valves, loosen outlet pressure tap screw one quarter turn and put manometer hose. <sup>5</sup> Goodman specific max regulation feature.

**36C STANDING PILOT SERIES**



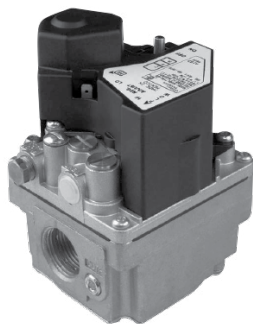
**36C CYCLE PILOT SERIES**



Model Number	Voltage	Stages / Opening Characteristic	Pipe Size	Regulator Setting	Natural Gas Adjustment Range (WC)	LP Gas Adjustment Range (WC)	LP Conversion Kit Included	Reducer Bushing Kit	Flow Direction	Side Taps	Inlet / Outlet Pressure Tap	Standing Pilot with Line Interrupter	HSI / DSI	Intermittent / Proven Pilot
<b>36H Series HSI / DSI, Intermittent / Proven Pilot</b>														
36H32-214	24 Vac 50/60Hz	1 - Stage Fast Opening	1/2" X 1/2"	3.5"	2.5"-5.0"	5.0"-12.0"	Yes	No	Straight Through	No	Yes / Yes	No	Yes	Yes
36H32-304	24 Vac 50/60Hz	1 - Stage Fast Opening	1/2" X 3/4"	3.5"	2.5"-5.0"	5.0"-12.0"	Yes	Yes	Straight Through	No	Yes / Yes	No	Yes	Yes
36H32-423	24 Vac 50/60Hz	1 - Stage Fast Opening	3/4" X 3/4"	3.5"	2.5"-5.0"	5.0"-12.0"	Yes	Yes	Straight Through	No	Yes / Yes	No	Yes	Yes
36H33-412	24 Vac 50/60Hz	1 - Stage Slow Opening	3/4" X 3/4"	3.5"	2.5"-5.0"	5.0"-12.0"	Yes	Yes	Straight Through	No	Yes / Yes	No	Yes	Yes
36H64-463	24 Vac 50/60Hz	2 - Stage Fast Opening	3/4" X 3/4"	1.1" Low 3.5" High	1.0"-3.5" Low 2.5"-5.0" High	4.0"-9.5" Low 8.0"-12.0" High	Yes	Yes	Straight Through	No	Yes / Yes	No	Yes	Yes
36H65-401	24 Vac 50/60Hz	2 - Stage Slow Opening	3/4" X 3/4"	1.1" Low 3.5" High	1.0"-3.5" Low 2.5"-5.0" High	4.0"-9.5" Low 8.0"-12.0" High	Yes	Yes	Straight Through	No	Yes / Yes	No	Yes	Yes
<b>36G, J Series HSI / DSI, Intermittent / Proven Pilot</b>														
36G22-254	24 Vac 50/60Hz	1 - Stage Fast Opening	1/2" X 1/2"	3.5"	2.5"-5.0"	7.0"-12.0"	No <sup>3</sup>	No	Straight Through	No	Yes / Yes	No	Yes	No
36G32-500	24 Vac 50/60Hz	1 - Stage Fast Opening	1/2" X 1/2"	3.5"	2.5"-5.0"	7.0"-12.0"	Yes	No	Straight Through	No	Yes / Yes <sup>4</sup> NPT & Towers	No	Yes	Yes
36G33-500	24 Vac 50/60Hz	1 - Stage Slow Opening	1/2" X 1/2"	3.5"	2.5"-5.0"	7.0"-12.0"	Yes	No	Straight Through	No	Yes / Yes <sup>4</sup> NPT & Towers	No	Yes	Yes
36J22-214	24 Vac 50/60Hz	1 - Stage Fast Opening	1/2" X 1/2"	3.5"	2.5"-5.0"	7.0"-12.0"	Yes	Yes	Straight Through	No	Yes / Yes	No	Yes	No
36J24-214	24 Vac 50/60Hz	1 - Stage Slow Opening	1/2" X 1/2"	3.5"	2.5"-5.0"	7.0"-12.0"	Yes	Yes	Straight Through	No	Yes / Yes	No	Yes	No
36J27-554	24 Vac 50/60Hz	Modulating	1/2" X 1/2"	3.5"	0.4"-4.0"	1.3"-11.5"	Yes	Yes	Straight Through	No	Yes / Yes	No	Yes	No
36J54-214	24 Vac 50/60Hz	2 - Stage Fast Opening	1/2" X 1/2"	1.5" Low 3.5" High	1.0"-4.0" Low 2.0"-5.0" High	4.0"-10.0" Low 6.0"-12.0" High	Yes	Yes	Straight Through	No	Yes / Yes	No	Yes	No
36J55-214	24 Vac 50/60Hz	2 - Stage Slow Opening	1/2" X 1/2"	1.5" Low 3.5" High	1.0"-4.0" Low 2.0"-5.0" High	4.0"-10.0" Low 6.0"-12.0" High"	Yes	Yes	Straight Through	No	Yes / Yes	No	Yes	No
36J24-614	24 Vac 50/60Hz	1 - Stage Slow Opening	1/2" X 1/2"	3.5"	2.5"-5.0"	7.0"-12.0"	Yes	No	90° Bottom Outlet	No	Yes / Yes	No	Yes	No
36J55-614	24 Vac 50/60Hz	2 - Stage Slow Opening	1/2" X 1/2"	1.5" Low 3.5" High	1.0"-4.0" Low 2.0"-5.0" High	4.0"-10.0" Low 6.0"-12.0" High	Yes	No	90° Bottom Outlet	No	Yes / Yes	No	Yes	No

\* Use F92-0659 to convert to regulated L.P. gas

**36H SERIES**

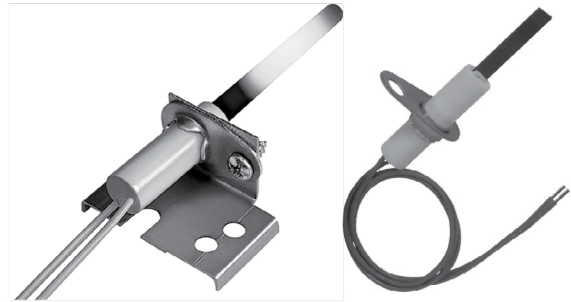


**36J SERIES**





**120 Volt nitride ignitors**  
 Universal replacements for silicon carbide ignitors



HotRod 21D64-2

HotRod EX 21D64-44

**120V nitrite upgrade kit for conversion of silicon carbide**

MODEL NUMBER	LEAD LENGTH	DESCRIPTION	REPLACES
21D64-2	15.5	HotRod kit includes 120V nitride ignitor, universal mounting brackets and ceramic wire nuts	Over 150 models
21D64-5PK	15.5	HotRod 5-pack contains 5 single pack ignitor kits	Over 150 models
21D64-44	14.5	HotRod EX kit includes 120V nitride ignitor, universal mounting brackets and ceramic wire nuts	Over 200 models

**Features:**

- Robust nitride ignitor design for longer life and fewer call backs
- Includes universal mounting brackets and ceramic wire nuts
- Replaces most silicon carbide ignitors
- 5 year limited warranty

**Electrical rating:**


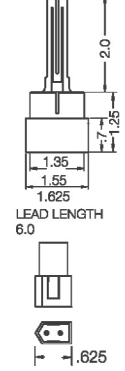
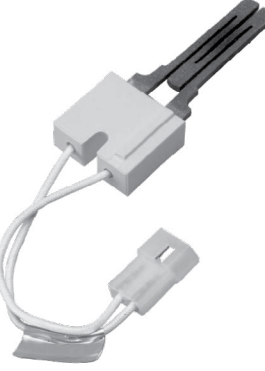
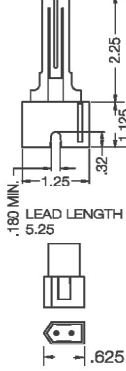

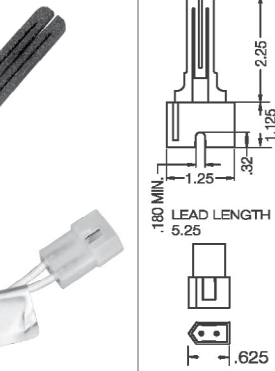

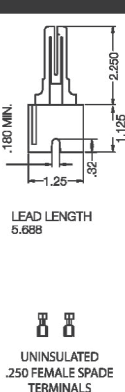
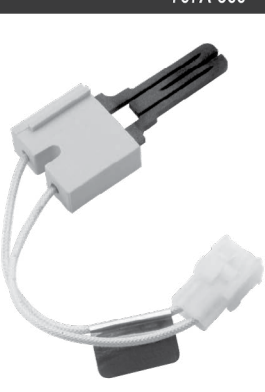
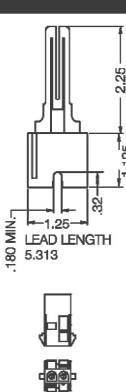

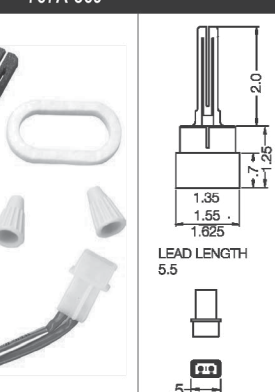

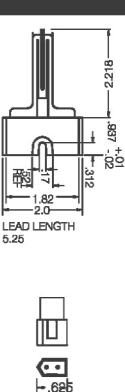

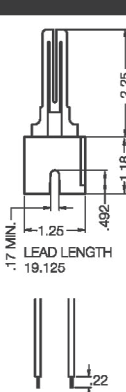
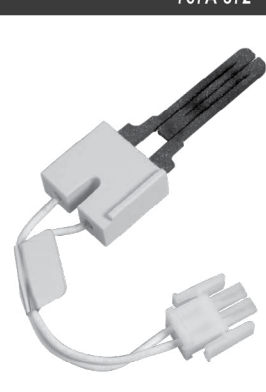
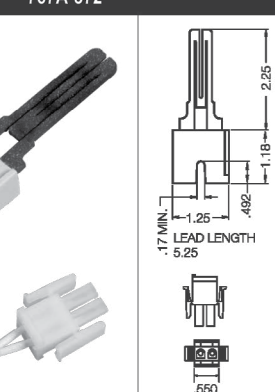

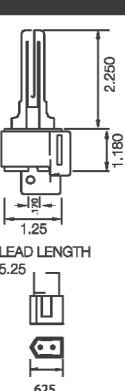

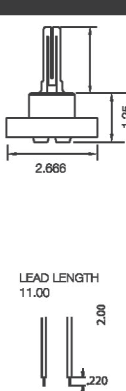

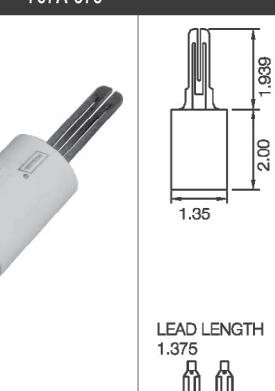
- Input Voltage 102-132 VAC, 60 Hz
- Max. Load Current 3.0 A @ 132 VAC, 25°C
- Warm Up Time 17 sec to 1150°C

**767a series silicon carbide hot surface ignitors**


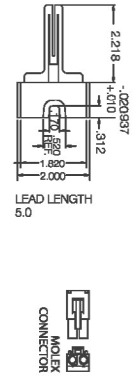

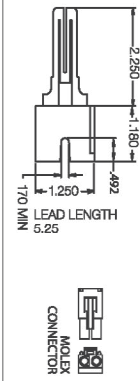
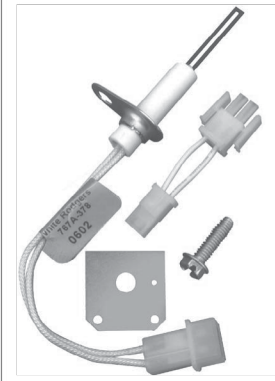
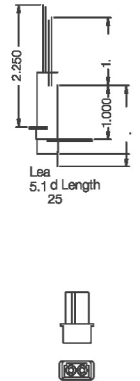

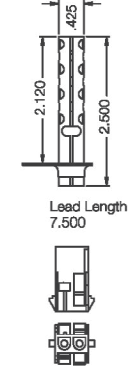

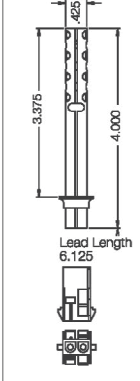

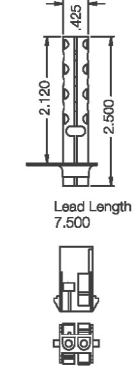

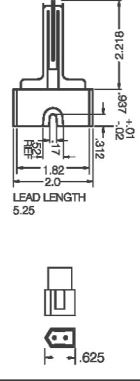

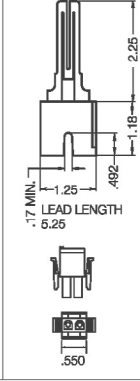

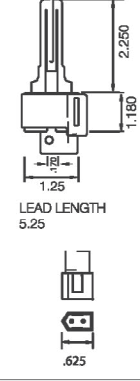
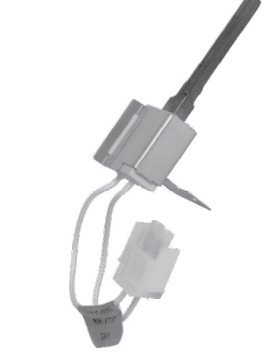
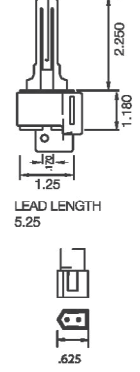
OEM	VOLTAGE	LEAD LENGTH	ELECTRICAL CONNECTION	INDUSTRY RECOGNIZED NUMBER	MODEL NUMBER
Amana, Lennox	120 Vac	6"	Receptacle with .093" Male Pins	41-401	767A-356
White-Rodgers	120 Vac	5.25"	Receptacle with .093" Male Pins	41-803	767A-357
York, Lennox	120 Vac	5.25"	Receptacle with .093" Male Pins	41-405	767A-361
White-Rodgers	120 Vac	5.69"	1/4" Female Spade Terminals	41-803	767A-365
White-Rodgers	120 Vac	5.31"	AMP 1-480699-0 Electrical Conn. Receptacle with .093" Male Pins	---	767A-366
Amana, Lennox	120 Vac	5.5"	Molex Internally Keyed Connector with .093" Male Pins	41-401	767A-369
Carrier, Trane, Rheem	120 Vac	5.25"	Receptacle with .093" Male Pins	41-409	767A-370
Goodman, York, Nordyne, Trane, Amana, Armstrong	120 Vac	19.13"	Stripped Ends	41-402	767A-371
Rheem, Lennox, Trane	120 Vac	5.25"	Molex Side Lock Connector with .092" Male Pins	41-408	767A-372
Goodman, York, Nordyne, Trane, Amana, Armstrong	120 Vac	5.25"	Receptacle with .093" Male Pins	41-412	767A-373
Whirlpool	120 Vac	11"	Stripped Ends	41-406	767A-374
White-Rodgers	120 Vac	1.38"	1/4" Female Spade Terminals	41-413	767A-375
Trane	120 Vac	4.5"	Molex Front Lock Connector with .092" Male Pins	41-407	767A-376
Trane	120 Vac	4.5"	Molex Front Lock Connector with .092" Male Pins	41-410	767A-377
Amana	120 Vac	5.13"	Electrical Connector matches AMANA #20165702	41-602	767A-378*
York	120 Vac	7.5"	Electrical Connector matches YORK #025-33421-000	---	767A-379*
Armstrong	120 Vac	6.13"	Electrical Connector matches ARMSTRONG #44744-2	41-604	767A-380*
York	120 Vac	7.5"	Electrical Connector matches YORK #473-20937-001	41-605	767A-381*
---	120 Vac	5.25"	Receptacle with .093" Male Pins	41-404	767A-382
Rheem	120 Vac	5.25"	Molex Side Lock Connector with .092" Male Pins	41-411	767A-383
Goodman	120 Vac	5.25"	Receptacle with .093" Male Pins	41-414	767A-384
Goodman	120 Vac	5.25"	Receptacle with .093" Male Pins	41-418	767A-385

\* Ceramic composite construction



767A-356	767A-357	767A-361	767A-365	767A-366	767A-369
					
					
					
					

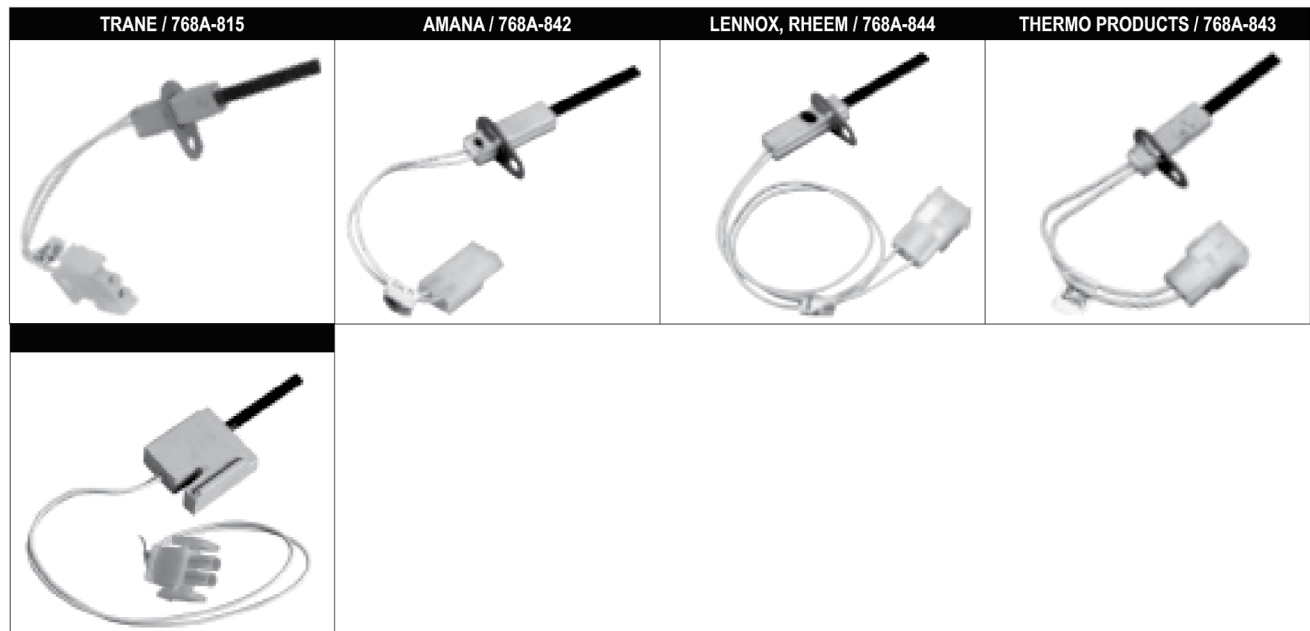


767A-376		767A-377		767A-378	
	 <p>LEAD LENGTH 5.0</p> <p>MOLEX CONNECTOR</p>		 <p>LEAD LENGTH 5.25</p> <p>MOLEX CONNECTOR</p>		 <p>Lead Length 25</p> <p>MOLEX CONNECTOR</p>
767A-379		767A-380		767A-381	
	 <p>Lead Length 7.500</p> <p>MOLEX CONNECTOR</p>		 <p>Lead Length 6.125</p> <p>MOLEX CONNECTOR</p>		 <p>Lead Length 7.500</p> <p>MOLEX CONNECTOR</p>
767A-382		767A-383		767A-384	
	 <p>LEAD LENGTH 5.25</p> <p>MOLEX CONNECTOR</p>		 <p>LEAD LENGTH 5.25</p> <p>MOLEX CONNECTOR</p>		 <p>LEAD LENGTH 5.25</p> <p>MOLEX CONNECTOR</p>
767A-385					
	 <p>LEAD LENGTH 5.25</p> <p>MOLEX CONNECTOR</p>				





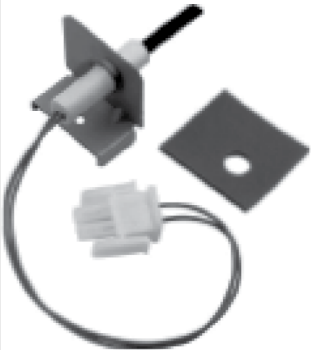



OEM MODEL PART NUMBERS		VOLTAGE	LEAD LENGTH (IN.)	MODEL NUMBER
Amana	1111701	80 Vac	5"	768A-842
	768A-2			
Lennox, Rheem	41K5601	80 Vac	12"	768A-844
	768A-4			
Thermo Products	380650	80 Vac	5"	768A-843
Trane	A341947P01	80 Vac	5"	768A-815
	768A-015			
	A341990P01			
	IGN00117			
	768A-5	80 Vac	5"	768A-845
	IGN00104			
X13130524010				
Carrier	LH33ZG001	120 Vac	9.25"	789A-751A1
	LH33ZS001 <sup>1</sup>	120 Vac	9.25"	789A-751KT1
	LH33ZS001 <sup>2</sup>	120 Vac	9.25"	789A-751KT2
Goodman	0130F008	120 Vac	9.25"	789A-707A1
	0130F008S			
Lennox	70W16	120 Vac	9.25"	789A-801A1
	10053602			
	LB-112237B			
Nordyne	1017743S	120 Vac	5.75"	789A-914A1
	921074			
Trane	IGN00152	120 Vac	5"	789A-820KT1
	IGN00146			
	D156805P01			
York	025-45231-000	120 Vac	5.25"	789A-956A1
	s1-254523100			
	s1-025-4523100			
	025-49808-000			
	s1-02549808000			
s1-025-49808-000				

All silicon nitride ignitors now feature a 3-year limited warranty

**80V MODELS**



120V models

<p>CARRIER / 789A-751A1</p> 	<p>CARRIER / 789A-751KT1</p> 	<p>CARRIER / 789A-751KT2</p> 	<p>GOODMAN / 789A-707A1</p> 
<p>LENNOX / 789A-801A1</p> 	<p>NORDYNE / 789A-914A1</p> 	<p>TRANE / 789A-820KT1</p> 	<p>YORK / 789A-956A1</p> 

Flame sensors

<p>CARRIER / ICP / 790-751A1 / 73° BEND</p> 	<p>GOODMAN / 790-707A1 / STRAIGHT ROD</p> 	<p>LENNOX / 790-801A1 / 90° BEND</p> 
<p>TRANE / 790-820A1 / 90° BEND</p> 	<p>YORK / 790-956A1 / STRAIGHT ROD</p> 	<p>UNIVERSAL / 790-843A1 / BEND AND/OR CUT</p> <p>5-pack available 790-843A5PK</p> 

# CROSS REFERENCE

PART REPLACING	SUGGESTED REPLACEMENT(S)	PRODUCT CATEGORY	COMPANY NAME
00 880209	36C03A-410	Gas Valve	ITW Food Equip.
00001005570	36H32-214, 36H32-304	Gas Valve	Carrier
00001008753	36J24-214	Gas Valve	Carrier
00001160253	36C03-433	Gas Valve	Carrier
00001162470	36C94-303	Gas Valve	Carrier
00001585980	36H32-214, 36H32-304	Gas Valve	Carrier
0002-42-013	36C03U-333	Gas Valve	Solaronics
0002-42-015	36C01A-405	Gas Valve	Solaronics
0002-42-068	764-742	Gas Valve	Solaronics
0002-42-098	36H32-214, 36H32-304	Gas Valve	Solaronics
0002-42-099	36C01A-405	Gas Valve	Solaronics
0002-42-169	36J55-214	Gas Valve	Solaronics
0002-42-174	36J24-214	Gas Valve	Solaronics
0002-42-188	36J24-214	Gas Valve	Solaronics
0002-42-189	36J55-214	Gas Valve	Solaronics
00036	36G32-500	Gas Valve	Enerco
00037	36G32-500	Gas Valve	Enerco
0011-1000	36J22-214	Gas Valve	Mestek
00332	764-742	Gas Valve	Enerco
00-354447-00001	50D50U-843	Ign. Module	Hobart
00-497271-00001	36C03U-333, 36C03U-433	Gas Valve	Vulcan Hart
00-497271-00002	36C03U-333, 36C03U-433	Gas Valve	Vulcan Hart
00-497271-00003	36H32-214, 36H32-304, 36H32-423	Gas Valve	Vulcan Hart
00-497271-00004	36H32-214, 36H32-304, 36H32-423	Gas Valve	Vulcan Hart
00-497271-00005	36C03-300, 36C03-333, 36C03-433	Gas Valve	Vulcan Hart
00-497271-00006	36C03-300, 36C03-333, 36C03-433	Gas Valve	Vulcan Hart
00-497271-00007	36H32-214, 36H32-304, 36H32-423	Gas Valve	Vulcan Hart
00-497271-00008	36H32-214, 36H32-304, 36H32-423	Gas Valve	Vulcan Hart
0050009	36H32-423	Gas Valve	HB Smith
0050010	36H32-304	Gas Valve	HB Smith
0050011	36H32-423	Gas Valve	HB Smith
0050140	36H32-304	Gas Valve	HB Smith
00-748512	50E47U-843	Ign. Module	Hobart
00-840126	36C03A-410	Gas Valve	ITW Food Equip.
00-851223	790-843A1, 790-843A5PK	Flame Sensor	Vulcan Hart
00-851315-00001	36H32-423	Gas Valve	ITW Food Equip.
00-855392	790-843A1, 790-843A5PK	Flame Sensor	Vulcan Hart
00-857207-00001	50D50U-843	Ign. Module	Vulcan Hart
00-857207-00002	50D50U-843	Ign. Module	Vulcan Hart
00-880208	36C03A-410	Gas Valve	ITW Food Equip.
00-947498	790-843A1, 790-843A5PK	Flame Sensor	Vulcan Hart
01-1000V9-00126	36H32-423	Gas Valve	ITW Food Equip.
01-1000V9-00151	790-843A1, 790-843A5PK	Flame Sensor	Baxter
01-1000V9-00152	50E47U-843	Ign. Module	Baxter
01-1000V9-00169	790-843A1, 790-843A5PK	Flame Sensor	Baxter
01-1000V9-00181	36H32-423	Gas Valve	ITW Food Equip.
01-1000V9-00181/B	36H32-423	Gas Valve	Henny Penny
012-1401-00	49M11-843	Contactactor	Copeland
013010	36H32-423	Gas Valve	Southbend Range
0130F00005	50M56X-843, 50M56-743	Furnace Ctl.	Goodman
0130F00005S	50M56X-843, 50M56-743	Furnace Ctl.	Goodman
0130F00008	789A-707A1	Ignitor	Goodman

PART REPLACING	SUGGESTED REPLACEMENT(S)	PRODUCT CATEGORY	COMPANY NAME
0130F00008S	789A-707A1	Ignitor	Goodman
0130F00010	790-707A1, 790-843A1	Flame Sensor	Goodman
0151F00000P	36J54-214	Gas Valve	Goodman
0151F00000PS	36J54-214	Gas Valve	Daikin
0151L00000	36H64-463	Gas Valve	Goodman
0151L00000S	36H64-463	Gas Valve	Daikin
0151M00013	36G22-254, 36J22-214	Gas Valve	Goodman
0151M00013S	36G22-254, 36J22-214	Gas Valve	Goodman
0151M00027	36J54-214	Gas Valve	Daikin
0151M00027SK	36J54-214	Gas Valve	Daikin
0151M00037S	36J22Y-212	Gas Valve	Goodman
0151M00092	36J27-554	Gas Valve	Goodman
0151M00094	36J22-214	Gas Valve	Daikin
0151M00094S	36J22-214	Gas Valve	Daikin
0151M00098	36G22-254	Gas Valve	Daikin
0204043-02	47D01U-843	Defrost Ctl.	Lennox
02-1549	36C74-913	Gas Valve	Hydrotherm
0230K00001	767A-378, 21D64-2	Ignitor	Goodman
025-15941-000	30A46-5	Flame Sensor	York
025-15941-700	30A46-5	Flame Sensor	York
025-19264	5059-134	Pilot Control	York
025-19264-000	5059-134	Pilot Control	York
025-19264-700	5059-134	Pilot Control	York
025-20289-000	36H32-214, 36H32-304, 36H32-423	Gas Valve	York
025-20289-700	36H32-214, 36H32-304, 36H32-423	Gas Valve	York
025-22677-000	36C84-912	Gas Valve	York
025-22677-700	36C84-912	Gas Valve	York
025-23001-000	36C84-921	Gas Valve	York
025-23012-000	3098-156	Flame Sensor	York
025-23012-700	3098-156	Flame Sensor	York
025-23014-700	36C03-433, 36C03-400	Gas Valve	York
025-25421-000	36C84-921	Gas Valve	York
025-25421-700	36C84-921	Gas Valve	York
025-25434-700	790-843A1, 790-843A5PK	Flame Sensor	York
025-25435-000	767A-365, 21D64-2	Ignitor	York
025-25436-000	50E47U-843, 50E47-843	Ign. Module	York
02525436700	50E47U-843, 50E47-843	Ign. Module	York
025-25436-700	50E47U-843, 50E47-843	Ign. Module	York
025-25437-000	36H32-214, 36J22-214, 36H32-304	Gas Valve	York
025-25437-700	36H32-214, 36H32-304	Gas Valve	York
025-25463-000	36H32-214, 36H32-304	Gas Valve	York
025-26372-000	36H64-463	Gas Valve	York
025-26372-700	36H64-463	Gas Valve	York
025-26373-000	36H64-463	Gas Valve	York
025-26373-700	36H64-463	Gas Valve	York
025-27515	36H64-463	Gas Valve	Hastings HVAC
025-27515-000	36H64-463	Gas Valve	York
025-27515-700	36H64-463	Gas Valve	York
025-27660-000	36H32-214, 36H32-304	Gas Valve	York
025-27660-700	36H32-214, 36H32-304	Gas Valve	York
025-27662-000	50D50U-843	Ign. Module	York
025-27662-700	50D50U-843	Ign. Module	York
02527720700	36H32-423	Gas Valve	York



# CROSS REFERENCE

PART REPLACING	SUGGESTED REPLACEMENT(S)	PRODUCT CATEGORY	COMPANY NAME
025-27766-000	767A-361, 21D64-2	Ignitor	York
025-27768-000	36C74-913	Gas Valve	York
025-27768-700	36C74-913	Gas Valve	York
025-27769-000	36H32-214, 36J22-214, 36H32-304	Gas Valve	York
025-27769-700	36H32-214, 36H32-304	Gas Valve	York
025-27773-700	790-956A1, 790-843A1	Flame Sensor	York
025-27774-000	767A-361, 21D64-2	Ignitor	York
025-27918-000	36H64-463	Gas Valve	York
025-27918-700	36H64-463	Gas Valve	York
025-29012-001	50D50U-843	Ign. Module	York
025-29012-002	50D50U-843	Ign. Module	York
025-29012-003	50D50U-843	Ign. Module	York
025-29012-004	50D50U-843	Ign. Module	York
025-29017-000	36H32-214, 36H32-304, 36H32-423	Gas Valve	York
025-29017-700	36H32-214, 36H32-304	Gas Valve	York
025-29043-000	767A-361, 21D64-2	Ignitor	York
025-29050-000	767A-361, 21D64-2	Ignitor	York
025-30105-000	36H32-214, 36H32-304, 36H32-423	Gas Valve	York
025-30164-000	36J24-214	Gas Valve	York
025-30164-700	36J24-214	Gas Valve	York
025-30167-700	36J24-214	Gas Valve	York
025-30251-000	36J24-214	Gas Valve	York
025-30251-700	36J24-214	Gas Valve	York
025-30719-000	36H32-214, 36J22-214, 36H32-304	Gas Valve	York
025-30719-700	36H32-214, 36H32-304	Gas Valve	York
025-30788-700	790-843A1, 790-843A5PK	Flame Sensor	York
025-30789-000	36J24-214	Gas Valve	York
025-30801-000	790-843A1, 790-843A5PK	Flame Sensor	York
02530836000	36C03-433	Gas Valve	York
025-30836-700	36C03-433, 36C03-400	Gas Valve	York
025-30838-000	36H32-423	Gas Valve	York
025-30838-700	36H32-423	Gas Valve	York
025-30839-000	36H64-463	Gas Valve	York
025-30839-700	36H64-463	Gas Valve	York
025-30841-000	36C84-921	Gas Valve	York
025-30841-700	36C84-921	Gas Valve	York
025-30843-000	36H32-304, 36H32-423	Gas Valve	York
025-30844-700	36C74-913	Gas Valve	York
025-30888-000	36H33-412	Gas Valve	York
025-30888-700	36H33-412	Gas Valve	York
025-31969-000	36H33-412	Gas Valve	York
025-31996-000	36H33-412	Gas Valve	York
025-31996-700	36H33-412	Gas Valve	York
02532625000	21D64-2, 21D64-44, 21D64-5PK	Ignitor	York
025-32625-000	21D64-2, 21D64-44	Ignitor	York
025-32676-000	36H64-463	Gas Valve	York
025-32794-000	36H32-214, 36H32-304	Gas Valve	York
025-32816-000	50F06-843	Fan Blower Ctl.	York
025-33334-000	36H65-401	Gas Valve	York
025-33421-000	767A-379	Ignitor	York
025-35316-000	36J24-214	Gas Valve	York
025-35317-000	36J24-214, 36H33-412	Gas Valve	York
025-35354-000	790-843A1, 790-843A5PK	Flame Sensor	York
025-35394-000	36J54-214, 36H64-463	Gas Valve	York
025-35395-000	36J54-214, 36H64-463	Gas Valve	York

PART REPLACING	SUGGESTED REPLACEMENT(S)	PRODUCT CATEGORY	COMPANY NAME
025-37426-000	36J24-214	Gas Valve	York
025-37499-000	790-843A1, 790-843A5PK	Flame Sensor	York
025-38915-000	36J54-214, 36H64-463	Gas Valve	York
025-38974-000	36J24-214	Gas Valve	York
025-38979-000	36J22-214, 36H32-423	Gas Valve	York
025-42681-000	50D50U-843	Ign. Module	York
025-45231-000	789A-956A1	Ignitor	York
025-49808-000	789A-956A1	Ignitor	York
025-90888-000	36H33-412	Gas Valve	York
026-32254-000	50F06-843	Fan Blower Ctl.	York
026-34030-000	50F06-843	Fan Blower Ctl.	York
029-18977-700	36C84-912	Gas Valve	York
031.01234.000	50M56X-843	Furnace Ctl.	York
031-00662	50M56X-843, 50M56U-843	Furnace Ctl.	York
031-00662000	50M56X-843, 50M56U-843	Furnace Ctl.	York
031-00662-000	50M56X-843, 50A55-843, 50M56U-843	Furnace Ctl.	York
031-00662-700	50M56X-843, 50A55-843, 50M56U-843	Furnace Ctl.	York
031-00872-001	47D01U-843	Defrost Ctl.	York
031-00872-002	47D01U-843	Defrost Ctl.	York
031-00872-003	47D01U-843	Defrost Ctl.	York
031-00872-701	47D01U-843	Defrost Ctl.	York
031-00872-702	47D01U-843	Defrost Ctl.	York
031-00872-703	47D01U-843	Defrost Ctl.	York
031-01098-003	47D01U-843	Defrost Ctl.	York
031-01098-011	47D01U-843	Defrost Ctl.	York
031-01098-015	47D01U-843	Defrost Ctl.	York
031-01098-701	47D01U-843	Defrost Ctl.	York
031-01098-703	47D01U-843	Defrost Ctl.	York
031-01098-711	47D01U-843	Defrost Ctl.	York
031-01140-000	50M56X-843, 50M56U-843	Furnace Ctl.	York
031-01140-001	50M56X-843, 50M56U-843	Furnace Ctl.	York
031-01140-002	50M56X-843, 50M56U-843	Furnace Ctl.	York
031-01140-701	50M56X-843, 50M56U-843	Furnace Ctl.	York
031-01140-702	50M56X-843, 50M56U-843	Furnace Ctl.	York
031-01222-000	47D01U-843	Defrost Ctl.	York
031-01234-000	50M56X-843	Furnace Ctl.	York
031-01234-700	50M56X-843, 50M56U-843	Furnace Ctl.	York
031-01235-000	50M56X-843, 50M56U-843	Furnace Ctl.	York
031-01235-700	50M56X-843, 50M56U-843	Furnace Ctl.	York
031-01237-000	50F06-843	Fan Blower Ctl.	York
03101250000	50M56X-843, 50A55-843, 50M56U-843	Furnace Ctl.	York
031-01250-000	50M56X-843, 50A55-843, 50M56U-843	Furnace Ctl.	York
031-01250-700	50M56X-843, 50A55-843, 50M56U-843	Furnace Ctl.	York
031-01251-000	47D01U-843	Defrost Ctl.	York
031-01266-000	50M56X-843, 50A55-843, 50M56U-843	Furnace Ctl.	York
031-01266-700	50M56X-843, 50A55-843, 50M56U-843	Furnace Ctl.	York
031-01267-00	50M56X-843, 50M56U-843	Furnace Ctl.	York
031-01267-000	50M56X-843, 50M56U-843	Furnace Ctl.	York
031-01267-001	50M56X-843, 50M56U-843	Furnace Ctl.	York
031-01267-001A	50M56X-843, 50M56U-843	Furnace Ctl.	York



# CROSS REFERENCE

PART REPLACING	SUGGESTED REPLACEMENT(S)	PRODUCT CATEGORY	COMPANY NAME
031-01268-000	47D01U-843	Defrost Ctl.	York
031-01283-000	50D50U-843	Ign. Module	York
031-01284-000	50M56X-843, 50A55-843, 50M56U-843	Furnace Ctl.	York
031-01298-000	47D01U-843	Defrost Ctl.	York
031-01933-000	50M56X-843, 50M56U-843	Furnace Ctl.	York
031-01954-000	47D01U-843	Defrost Ctl.	York
031-01957-000	47D01U-843	Defrost Ctl.	York
031-01971-000	47D01U-843	Defrost Ctl.	York
031-01972-000	50M56X-843, 50M56U-843	Furnace Ctl.	York
031-01973-000	50M56X-843, 50M56U-843	Furnace Ctl.	York
031-01975-000	47D01U-843	Defrost Ctl.	York
031-02166-000	50M56X-843	Furnace Ctl.	York
031-02959-000	50F06-843	Fan Blower Ctl.	York
031-09104-000	47D01U-843	Defrost Ctl.	York
031-09166-000	50M56X-843, 50M56U-843	Furnace Ctl.	York
031-09167-000	50M56X-843, 50M56U-843	Furnace Ctl.	York
031-09170-000	47D01U-843	Defrost Ctl.	York
03546	50D50U-843	Ign. Module	Cleveland Range
05-151100	36C03A-410	Gas Valve	Aladdin
05-151101	36C03-400	Gas Valve	Aladdin
05-151200	36C03U-433	Gas Valve	Aladdin
05-162425-103	50D50U-843	Ign. Module	Fenwal
05-162425-200	50D50U-843	Ign. Module	Fenwal
05-162426-000	50D50U-843	Ign. Module	Fenwal
05-162426-001	50D50U-843	Ign. Module	Fenwal
05-162426-002	50D50U-843	Ign. Module	Fenwal
05-162426-003	50D50U-843	Ign. Module	Fenwal
05-162426-005	50D50U-843	Ign. Module	Fenwal
05-162426-006	50D50U-843	Ign. Module	Fenwal
05-162426-007	50D50U-843	Ign. Module	Fenwal
05-162426-053	50D50U-843	Ign. Module	Fenwal
05-162426-101	50D50U-843	Ign. Module	Fenwal
05-162426-105	50D50U-843	Ign. Module	Fenwal
05-162426-200	50D50U-843	Ign. Module	Fenwal
05-162426-201	50D50U-843	Ign. Module	Fenwal
05-162426-203	50D50U-843	Ign. Module	Fenwal
05-162426-207	50D50U-843	Ign. Module	Fenwal
05-162526-005	50D50U-843	Ign. Module	Fenwal
05-169001-000	50D50U-843	Ign. Module	Fenwal
05-169001-001	50D50U-843	Ign. Module	Fenwal
05-169001-002	50D50U-843	Ign. Module	Fenwal
05-169001-003	50D50U-843	Ign. Module	Fenwal
05-169002-003	50D50U-843	Ign. Module	Fenwal
05-169003-103	50D50U-843	Ign. Module	Fenwal
05-169005-123	50D50U-843	Ign. Module	Fenwal
05-169006-201	50D50U-843	Ign. Module	Fenwal
05-169007-201	50D50U-843	Ign. Module	Fenwal
05-169008-225	50D50U-843	Ign. Module	Fenwal
05-169009-005	50D50U-843	Ign. Module	Fenwal
05-169009-023	50D50U-843	Ign. Module	Fenwal
05-169010-023	50D50U-843	Ign. Module	Fenwal
05-169011-201	50D50U-843	Ign. Module	Fenwal
05-169011-205	50D50U-843	Ign. Module	Fenwal
05-169012-200	50D50U-843	Ign. Module	Fenwal

PART REPLACING	SUGGESTED REPLACEMENT(S)	PRODUCT CATEGORY	COMPANY NAME
05-169015-705	50D50U-843	Ign. Module	Fenwal
05-169018-003	50D50U-843	Ign. Module	Fenwal
05-203025-005	50D50U-843	Ign. Module	Fenwal
05-203026-005	50D50U-843	Ign. Module	Fenwal
05-272426-005	50D50U-843	Ign. Module	Fenwal
05-272426-055	50D50U-843	Ign. Module	Fenwal
05-272426-253	50D50U-843	Ign. Module	Fenwal
05-279000-023	50D50U-843	Ign. Module	Fenwal
05-279001-223	50D50U-843	Ign. Module	Fenwal
05-279002-223	50D50U-843	Ign. Module	Fenwal
05-279003-223	50D50U-843	Ign. Module	Fenwal
05-279004-201	50D50U-843	Ign. Module	Fenwal
05-279004-223	50D50U-843	Ign. Module	Fenwal
05-279005-223	50D50U-843	Ign. Module	Fenwal
05-296423-150	50D50U-843	Ign. Module	Fenwal
05-296423-151	50D50U-843	Ign. Module	Fenwal
05-296423-750	50D50U-843	Ign. Module	Fenwal
05-296423-751	50D50U-843	Ign. Module	Fenwal
05-296425-153	50D50U-843	Ign. Module	Fenwal
05-296425-250	50D50U-843	Ign. Module	Fenwal
05-296425-755	50D50U-843	Ign. Module	Fenwal
05-296426-150	50D50U-843	Ign. Module	Fenwal
05-296426-151	50D50U-843	Ign. Module	Fenwal
05-296426-153	50D50U-843	Ign. Module	Fenwal
05-296426-155	50D50U-843	Ign. Module	Fenwal
05-296426-250	50D50U-843	Ign. Module	Fenwal
05-296426-251	50D50U-843	Ign. Module	Fenwal
05-296426-253	50D50U-843	Ign. Module	Fenwal
05-296426-255	50D50U-843	Ign. Module	Fenwal
05-296426-257	50D50U-843	Ign. Module	Fenwal
05-296426-750	50D50U-843	Ign. Module	Fenwal
05-296426-751	50D50U-843	Ign. Module	Fenwal
05-296426-753	50D50U-843	Ign. Module	Fenwal
05-296426-755	50D50U-843	Ign. Module	Fenwal
05-296426-757	50D50U-843	Ign. Module	Fenwal
05-296463-253	50D50U-843	Ign. Module	Fenwal
05-296463-255	50D50U-843	Ign. Module	Fenwal
05-296463-257	50D50U-843	Ign. Module	Fenwal
05-296463-263	50D50U-843	Ign. Module	Fenwal
05-296466-150	50D50U-843	Ign. Module	Fenwal
05-296466-151	50D50U-843	Ign. Module	Fenwal
05-296466-153	50D50U-843	Ign. Module	Fenwal
05-296466-155	50D50U-843	Ign. Module	Fenwal
05-296466-250	50D50U-843	Ign. Module	Fenwal
05-296466-251	50D50U-843	Ign. Module	Fenwal
05-296466-253	50D50U-843	Ign. Module	Fenwal
05-296466-255	50D50U-843	Ign. Module	Fenwal
05-296466-257	50D50U-843	Ign. Module	Fenwal
05-296623-751	50D50U-843	Ign. Module	Fenwal
05-296623-753	50D50U-843	Ign. Module	Fenwal
05-296626-251	50D50U-843	Ign. Module	Fenwal
05-296626-753	50D50U-843	Ign. Module	Fenwal
05-296626-755	50D50U-843	Ign. Module	Fenwal
05-296663-261	50D50U-843	Ign. Module	Fenwal
05-296666-151	50D50U-843	Ign. Module	Fenwal

## CROSS REFERENCE

PART REPLACING	SUGGESTED REPLACEMENT(S)	PRODUCT CATEGORY	COMPANY NAME
05-296666-153	50D50U-843	Ign. Module	Fenwal
05-296666-155	50D50U-843	Ign. Module	Fenwal
05-299000-153	50D50U-843	Ign. Module	Fenwal
05-299001-751	50D50U-843	Ign. Module	Fenwal
05-299001-753	50D50U-843	Ign. Module	Fenwal
05-299002-253	50D50U-843	Ign. Module	Fenwal
05-299003-155	50D50U-843	Ign. Module	Fenwal
05-299004-153	50D50U-843	Ign. Module	Fenwal
05-299005-151	50D50U-843	Ign. Module	Fenwal
05-299006-151	50D50U-843	Ign. Module	Fenwal
05-299007-251	50D50U-843	Ign. Module	Fenwal
05-299008-757	50D50U-843	Ign. Module	Fenwal
05-299009-257	50D50U-843	Ign. Module	Fenwal
05-299010-753	50D50U-843	Ign. Module	Fenwal
05-299011-153	50D50U-843	Ign. Module	Fenwal
05-299012-153	50D50U-843	Ign. Module	Fenwal
05-299012-553	50D50U-843	Ign. Module	Fenwal
05-299013-263	50D50U-843	Ign. Module	Fenwal
05-299014-153	50D50U-843	Ign. Module	Fenwal
05-299015-250	50D50U-843	Ign. Module	Fenwal
05-299016-253	50D50U-843	Ign. Module	Fenwal
05-299017-759	50D50U-843	Ign. Module	Fenwal
05-299018-153	50D50U-843	Ign. Module	Fenwal
05-299019-253	50D50U-843	Ign. Module	Fenwal
05-299020-755	50D50U-843	Ign. Module	Fenwal
05-299021-755	50D50U-843	Ign. Module	Fenwal
05-299022-153	50D50U-843	Ign. Module	Fenwal
05-299023-261	50D50U-843	Ign. Module	Fenwal
05-299024-153	50D50U-843	Ign. Module	Fenwal
05-299025-755	50D50U-843	Ign. Module	Fenwal
056289 (Keating)	36H32-423	Gas Valve	Keating
07-1004	764-742	Gas Valve	Heatmaster
071278501	36H32-423	Gas Valve	McQuay
084141	50M56X-843, 50A55-843, 50M56U-843	Furnace Ctl.	Hughes Supply
08-5055	36H33-412	Gas Valve	Market Forge
08-6452	760-401, 790-843A1, 790-843A5PK	Flame Sensor	Market Forge
08-7126	36H32-214, 36H32-304	Gas Valve	Market Forge
09050	767A-371, 21D64-2, 21D64-44	Ignitor	Williamson
091193	36H32-423	Gas Valve	Reznor
096300	36C03-433	Gas Valve	Thomas & Betts
096309	36H32-423	Gas Valve	Reznor
096311	36H32-423	Gas Valve	Thomas & Betts
0P-496288	790-843A1, 790-843A5PK	Flame Sensor	Stero
100-000-0236	36H32-423	Gas Valve	Micron Fiber Tech
1000041	36J22-214	Gas Valve	Chad Mfg
1000143	36H32-423	Gas Valve	Chad Mfg
100054465	36H33-412	Gas Valve	AO Smith
100054466	36H33-412	Gas Valve	AO Smith
100055315	36H32-423	Gas Valve	AO Smith
100055317	36H32-423	Gas Valve	AO Smith
100086038	36H32-304	Gas Valve	AO Smith
100086039	36H32-423	Gas Valve	AO Smith
100093696	50E47U-843	Ign. Module	Polaris
100093697	50E47U-843	Ign. Module	Polaris

PART REPLACING	SUGGESTED REPLACEMENT(S)	PRODUCT CATEGORY	COMPANY NAME
100097250	790-843A1, 790-843A5PK	Flame Sensor	AO Smith
100099	36C03-300	Gas Valve	Carrier
100100	36C03-400	Gas Valve	Carrier
100109908	790-843A1, 790-843A5PK	Flame Sensor	AO Smith
100109966	790-843A1, 790-843A5PK	Flame Sensor	AO Smith
100110707	790-843A1, 790-843A5PK	Flame Sensor	AO Smith
100110905	790-843A1, 790-843A5PK	Flame Sensor	AO Smith
100112678	790-843A1, 790-843A5PK	Flame Sensor	Lochinvar
1001344	21D64-44	Ignitor	Heil Quaker
1001345	36C74-913	Gas Valve	Carrier
1001346	50E47U-843, 50E47-843	Ign. Module	Carrier
1001349	36H32-214, 36H32-304	Gas Valve	Carrier
100165921	790-843A1, 790-843A5PK	Flame Sensor	Lochinvar
100208460	50D50U-843	Ign. Module	Lochinvar
100208513	50D50U-843	Ign. Module	Lochinvar
100269-01	47D01U-843	Defrost Ctl.	Lennox
100269-02	47D01U-843	Defrost Ctl.	Lennox
100269-04	47D01U-843	Defrost Ctl.	Lennox
100269-05	47D01U-843	Defrost Ctl.	Lennox
100269-08	47D01U-843	Defrost Ctl.	Lennox
1002701	36H32-214, 36H32-304	Gas Valve	Carrier
10027236	36H64-463	Gas Valve	Grainger
1003-3	50D50U-843	Ign. Module	UTEC
1003-300	50D50U-843	Ign. Module	UTEC
1003-510	50D50U-843	Ign. Module	UTEC
1003-511	50D50U-843	Ign. Module	UTEC
1003-513	50D50U-843	Ign. Module	UTEC
1003-514	50D50U-843	Ign. Module	UTEC
1003-600A	50D50U-843	Ign. Module	UTEC
1003-611A	50D50U-843	Ign. Module	UTEC
1003-613A	50D50U-843	Ign. Module	UTEC
1003-618A	50D50U-843	Ign. Module	UTEC
1003-620A	50D50U-843	Ign. Module	UTEC
1003-629A	50D50U-843	Ign. Module	UTEC
1003-637A	50D50U-843	Ign. Module	UTEC
1003-638A	50D50U-843	Ign. Module	UTEC
1003-665A	50D50U-843	Ign. Module	UTEC
1003-669A	50D50U-843	Ign. Module	UTEC
1003-672A	50D50U-843	Ign. Module	UTEC
1003-674A	50D50U-843	Ign. Module	UTEC
10041601	767A-369	Ignitor	Amana
10050-00042	790-843A1, 790-843A5PK	Flame Sensor	Vanguard
1005-173A	48P21-811	Air Handler Ctl.	Rheem
10053602	789A-801A1	Ignitor	Lennox
1005570	36H32-214, 36H32-304	Gas Valve	Carrier
1005570U	36H32-214, 36J22-214, 36H32-304	Gas Valve	Carrier
1005571	36H32-214, 36H32-304	Gas Valve	Carrier
1005597	36G32-500	Gas Valve	Honeywell
1005-83-166A	48P55-751, 48M55-751	Air Handler Ctl.	Carrier
1005-83-1722A	48P21-811	Air Handler Ctl.	Rheem
10060566	36H32-423	Gas Valve	Grainger
1006221	36H64-463	Gas Valve	Carrier
1006225	21M51U-843	Furnace Ctl.	Trane
1006377	36H32-214, 36H32-304	Gas Valve	Carrier
1007547	36C74-913	Gas Valve	Carrier

## CROSS REFERENCE

PART REPLACING	SUGGESTED REPLACEMENT(S)	PRODUCT CATEGORY	COMPANY NAME
10080-02465	50E47U-843	Ign. Module	Vanguard
100869-03	21M51U-843	Furnace Ctl.	Lennox
100870-01	21V51U-843	Furnace Ctl.	Lennox
100870-03	21V51U-843	Furnace Ctl.	Lennox
1008751	50I56D-905	Smart Valve	Honeywell
1008752	50I56D-905	Smart Valve	Honeywell
1008753U	36J24-214	Gas Valve	Carrier
1008754	36J24-214	Gas Valve	Carrier
1008773	50F06-843	Fan Blower Ctl.	ICP
1008786	50F06-843	Fan Blower Ctl.	ICP
1008960	36H32-214, 36H32-304, 36H32-423	Gas Valve	ICP
1008960U	36H32-214, 36H32-304, 36H32-423	Gas Valve	Carrier
1008961	36H32-214, 36H32-304, 36H32-423	Gas Valve	ICP
1009089	50I56D-905	Smart Valve	Honeywell
1009090	50I56D-905	Smart Valve	Honeywell
1009093	50I56D-905	Smart Valve	Honeywell
1009094	50I56D-905	Smart Valve	Honeywell
100925-01	50M56X-843, 50A66-743, 50M56U-843	Furnace Ctl.	Lennox
100925-02	50M56X-843, 50A66-743, 50M56U-843	Furnace Ctl.	Lennox
100925-03	50M56X-843, 50A66-743, 50M56U-843	Furnace Ctl.	Lennox
1009604	767A-373, 21D64-2	Ignitor	Carrier
100973-01	50M56X-843	Furnace Ctl.	Lennox
100973-02	50M56X-843	Furnace Ctl.	Lennox
1009836	50F06-843	Fan Blower Ctl.	ICP
1009837	50F06-843	Fan Blower Ctl.	ICP
1009838	50F06-843	Fan Blower Ctl.	ICP
100-9980	21D64-44	Ignitor	Arcoaire
1010031	50F06-843	Fan Blower Ctl.	ICP
1010806	50M56X-843, 50A55-843, 50M56U-843	Furnace Ctl.	Carrier
1010988	50I56D-905	Smart Valve	Honeywell
1011024	50I56D-905	Smart Valve	Honeywell
1011179	50F06-843	Fan Blower Ctl.	ICP
1011421	50I56D-905	Smart Valve	Honeywell
1011543	50F06-843	Fan Blower Ctl.	ICP
1011927	50F06-843	Fan Blower Ctl.	ICP
1012106	50F06-843	Fan Blower Ctl.	ICP
1012358	50F06-843	Fan Blower Ctl.	ICP
1012455	36H32-423	Gas Valve	Carrier
1012-83-9336A	50M56X-843	Furnace Ctl.	UTEC
1012-83-9336AHSC1	50M56X-843, 50M56U-843	Furnace Ctl.	Goodman
1012-83-9337A	50M56X-843, 50M56U-843	Furnace Ctl.	Goodman
1012-83-9559B	50M56X-843, 50M56U-843	Furnace Ctl.	Nortek
1012-83-9651B	50M56X-843, 50M56U-843	Furnace Ctl.	York
1012-83-9673A	50M56X-843, 50M56U-801, 50M56U-843	Furnace Ctl.	Lennox
1012-925A	50M56X-843, 50M56U-843	Furnace Ctl.	UTEC
1012-925B	50M56X-843, 50M56U-843	Furnace Ctl.	UTEC
1012-925C	50M56X-843, 50M56U-843	Furnace Ctl.	UTEC
1012933D	50M56X-843, 50M56U-843	Furnace Ctl.	UTEC
1012-933D	50M56X-843, 50M56U-843	Furnace Ctl.	UTEC
1012955A	50M56X-843, 50M56U-843	Furnace Ctl.	Nortek
1012-955A	50M56X-843, 50M56U-843	Furnace Ctl.	Nortek

PART REPLACING	SUGGESTED REPLACEMENT(S)	PRODUCT CATEGORY	COMPANY NAME
1012-967	50M56X-843, 50M56U-801, 50M56U-843	Furnace Ctl.	Lennox
1012-968	50M56X-843, 50M56U-801, 50M56U-843	Furnace Ctl.	Lennox
1012-969	50M56X-843	Furnace Ctl.	Lennox
1012-969A	50M56X-843	Furnace Ctl.	Lennox
1012-977A	50M56X-843, 50M56U-801, 50M56U-843	Furnace Ctl.	Lennox
101344	21D64-44	Ignitor	HB Smith
101423-01	36H33-412	Gas Valve	Lennox
1014460	50F06-843	Fan Blower Ctl.	ICP
1016-450	50D50U-843	Ign. Module	UTEC
1016-452	50D50U-843	Ign. Module	UTEC
1016-458	50D50U-843	Ign. Module	UTEC
1016-500	50D50U-843	Ign. Module	UTEC
1016-511	50D50U-843	Ign. Module	UTEC
1016-552	50D50U-843	Ign. Module	UTEC
1016-572	50D50U-843	Ign. Module	UTEC
1017743S	789A-914A1, 21D64-44	Ignitor	Nortek
1018-500	50E47U-843	Ign. Module	UTEC
1018-501	50E47U-843	Ign. Module	UTEC
1018-504	50E47U-843	Ign. Module	UTEC
1018-524	50E47U-843	Ign. Module	UTEC
1018-525	50E47U-843	Ign. Module	UTEC
10207701	50M56X-843, 50M56U-843	Furnace Ctl.	Goodman
10207702	50M56X-843, 50A55-843, 50M56U-843	Furnace Ctl.	Goodman
102077-02	50M56X-843, 50A55-843, 50M56U-843	Furnace Ctl.	Goodman
10207703	50M56X-843, 50M56U-843	Furnace Ctl.	Goodman
102077-03	50M56X-843, 50A55-843, 50M56U-843	Furnace Ctl.	Goodman
10207704	50M56X-843, 50A55-843, 50M56U-843	Furnace Ctl.	Goodman
102077-04	50M56X-843, 50A55-843, 50M56U-843	Furnace Ctl.	Goodman
10207706	50M56X-843, 50M56U-843, 50A55-843	Furnace Ctl.	Goodman
102077-06	50M56X-843, 50M56U-843, 50A55-843	Furnace Ctl.	Goodman
10207708	21M51U-843	Furnace Ctl.	Goodman
102077-09	50M56X-843, 50A55-843, 50M56U-843	Furnace Ctl.	Goodman
10207710	50M56X-843, 50A55-843, 50M56U-843	Furnace Ctl.	Goodman
102077-10	50M56X-843, 50A55-843, 50M56U-843	Furnace Ctl.	Goodman
10207712	21M51U-843	Furnace Ctl.	Goodman
10207713	21M51U-843	Furnace Ctl.	Goodman
10207714	50M56X-843, 50A55-843, 50M56U-843	Furnace Ctl.	Goodman
102077-14	50M56X-843, 50A55-843, 50M56U-843	Furnace Ctl.	Goodman
10207715	50M56X-843, 50M56U-843	Furnace Ctl.	Goodman
10207717	50M56X-843, 50A55-843, 50A65-843	Furnace Ctl.	Goodman
102077-17	50M56X-843, 50A65-843, 50M56U-843	Furnace Ctl.	Goodman
10207718	50M56X-843, 50M56U-843	Furnace Ctl.	Goodman
10207719	50M56X-843, 50A55-843, 50M56U-843	Furnace Ctl.	Goodman
102077-19	50M56X-843, 50M56U-843	Furnace Ctl.	Goodman

## CROSS REFERENCE

PART REPLACING	SUGGESTED REPLACEMENT(S)	PRODUCT CATEGORY	COMPANY NAME
10207720	50M56X-843, 50M56U-843	Furnace Ctl.	Goodman
10207720S	50M56X-843, 50M56U-843	Furnace Ctl.	Goodman
10212777	36C84-926	Gas Valve	Grainger
102186-01	50D50U-843	Ign. Module	Lennox
10289653	36C03-433	Gas Valve	Grainger
1029-2	47D01U-843	Defrost Ctl.	Comfortmaker
1029-4	47D01U-843	Defrost Ctl.	UTEC
10296376	30A46-105	Flame Sensor	Grainger
1030-100-I	47D01U-843	Defrost Ctl.	York
1030-102	47D01U-843	Defrost Ctl.	York
1030-103-L	47D01U-843	Defrost Ctl.	York
1030-105	47D01U-843	Defrost Ctl.	York
1030-83-102	47D01U-843	Defrost Ctl.	York
1030-83-103B	47D01U-843	Defrost Ctl.	York
103085-01	50M56X-843, 50M56U-801, 50M56U-843	Furnace Ctl.	Lennox
103085-02	50M56X-843, 50M56U-801, 50M56U-843	Furnace Ctl.	Lennox
103085-03	50M56X-843, 50M56U-801, 50M56U-843	Furnace Ctl.	Lennox
103098-01	50M56X-843	Furnace Ctl.	Lennox
103181-01	36J55-214	Gas Valve	Lennox
103181-02	36J55-214	Gas Valve	Lennox
103181-03	36J54-214	Gas Valve	Lennox
103181-04	36J55-214	Gas Valve	Allied Air
103181-05	36J54-214	Gas Valve	Lennox
10321-00	47D01U-843	Defrost Ctl.	Artesian
103217-01	50M56X-843, 50X57-843	Furnace Ctl.	Lennox
103217-02	50M56X-843, 50X57-843	Furnace Ctl.	Lennox
103217-03	50M56X-843, 50X57-843	Furnace Ctl.	Lennox
10332112	36C03U-333	Gas Valve	Grainger
10333457	36C74-913	Gas Valve	Grainger
10356647	36C01A-405	Gas Valve	Grainger
10360950	36H32-423	Gas Valve	Grainger
103716-01	36J24-214	Gas Valve	Lennox
10399	767A-371, 21D64-2	Ignitor	Enerco Tech Pro
104119-01	36H64-463	Gas Valve	Lennox
104119-02	36H64-463	Gas Valve	Lennox
10446621	36H32-423	Gas Valve	Grainger
1050-83-7B	47D01U-843	Defrost Ctl.	Carrier
105141000	767A-371, 21D64-2	Ignitor	Nortek
105155-01	36G22-254	Gas Valve	Lennox
10515502	36G22-254	Gas Valve	Lennox
105155-03	36G22-254	Gas Valve	Lennox
105155-04	36G22-254	Gas Valve	Lennox
105155-05	36J24-214	Gas Valve	Lennox
1052757	47D01U-843	Defrost Ctl.	ICP
10530	767A-373, 21D64-2	Ignitor	Robertshaw
105601-01	36H64-463	Gas Valve	Lennox
105601-02	36H64-463	Gas Valve	Lennox
105601-03	36H64-463	Gas Valve	Lennox
10568	36C03A-410	Gas Valve	Broaster
10569	36C03A-410	Gas Valve	Broaster
105782	36H64-463	Gas Valve	Cleveland Range
1057821	36H64-463	Gas Valve	Cleveland Range

PART REPLACING	SUGGESTED REPLACEMENT(S)	PRODUCT CATEGORY	COMPANY NAME
10602631	36H64-463	Gas Valve	Grainger
10627614	3046-5	Flame Sensor	Grainger
10-681	790-751A1, 790-843A1	Flame Sensor	Robertshaw
1069364	47D01U-843	Defrost Ctl.	ICP
1070690	36H64-463	Gas Valve	Carrier
1071324	36H64-463	Gas Valve	Carrier
10735003A	767A-371, 21D64-2	Ignitor	Amana
10735201	790-843A1, 790-843A5PK	Flame Sensor	Goodman
1073568	760-56	Flame Sensor	Grainger
1073949	3098-134	Flame Sensor	Grainger
1074046	5059-134	Pilot Control	Grainger
10755002	21D64-44	Ignitor	Amana
10-760	760-401, 790-843A1	Flame Sensor	Robertshaw
1080-852-R	47D01U-843	Defrost Ctl.	Lennox
1084-03-2022	47D01U-843	Defrost Ctl.	Goodman
1084-100	47D01U-843	Defrost Ctl.	Tempstar
1084197	50F06-843	Fan Blower Ctl.	ICP
1084-200C	47D01U-843	Defrost Ctl.	Goodman
1084-200D	47D01U-843	Defrost Ctl.	Goodman
1084-400D	47D01U-843	Defrost Ctl.	Nortek
1084-502	47D01U-843	Defrost Ctl.	York
1084-550	47D01U-843	Defrost Ctl.	UTEC
1084-551	47D01U-843	Defrost Ctl.	Lennox
1084-552	47D01U-843	Defrost Ctl.	Goodman
1084-751	47D01U-843	Defrost Ctl.	Bard
1084-800	47D01U-843	Defrost Ctl.	Lennox
1084-83-1008	47D01U-843	Defrost Ctl.	Tempstar
1084-83-100A	47D01U-843	Defrost Ctl.	Carrier
1084-83-201A	47D01U-843	Defrost Ctl.	Goodman
1084-83-4102A	47D01U-843	Defrost Ctl.	Nortek
1084-83-551B	47D01U-843	Defrost Ctl.	Lennox
1084-83-551C	47D01U-843	Defrost Ctl.	Lennox
1084-83-7502	47D01U-843	Defrost Ctl.	Bard
1084-83-800	47D01U-843	Defrost Ctl.	Lennox
1084-83-900	47D01U-843	Defrost Ctl.	York
1084-851	47D01U-843	Defrost Ctl.	Lennox
1084-851-I	47D01U-843	Defrost Ctl.	Lennox
1084-852-R	47D01U-843	Defrost Ctl.	Lennox
1084-900	47D01U-843	Defrost Ctl.	York
1085843	47D01U-843	Defrost Ctl.	Carrier
1087515	47D01U-843	Defrost Ctl.	Carrier
1087562	47D01U-843	Defrost Ctl.	Tempstar
1087952	47D01U-843	Defrost Ctl.	Heil Quaker
1087953	47D01U-843	Defrost Ctl.	Heil Quaker
108803-G1	767A-374	Ignitor	Perfection
109337-G1	36C03U-333	Gas Valve	Perfection
1093410	47D01U-843	Defrost Ctl.	Fast
1096047	21D64-44	Ignitor	International
1096048	767A-384, 21D64-2	Ignitor	Carrier
1096725	50I56D-905	Smart Valve	Honeywell
10A33	36J55-214	Gas Valve	Lennox
10A85	36J54-214	Gas Valve	Lennox
10B2401	3098-156	Flame Sensor	White-Rodgers
10F73	49M11-843	Contacto	Lennox



## CROSS REFERENCE

PART REPLACING	SUGGESTED REPLACEMENT(S)	PRODUCT CATEGORY	COMPANY NAME
10M93	50M56X-843, 50A65-843, 50M56U-843	Furnace Ctl.	Lennox
10M9301	50M56X-843, 50A65-843, 50M56U-843	Furnace Ctl.	Lennox
10P5001	36C03-333, 36C03-300, 36C03-433	Gas Valve	Lennox
10P9001	36C03-433, 36C03-400	Gas Valve	Lennox
110502-G1	36C03U-333	Gas Valve	Perfection
110502-G2	36C03U-333	Gas Valve	Perfection
110761-4	36C03U-333	Gas Valve	Perfection
11111701	768A-842	Ignitor	Goodman
11120-100-1401	767A-369	Ignitor	Starlite
11120-100-1402	21D64-44	Ignitor	Starlite
11120-100-1403	21D64-44	Ignitor	Starlite
11120-100-1405	21D64-44	Ignitor	Starlite
11120-100-1407	21D64-44	Ignitor	Starlite
11120-100-1408	21D64-44	Ignitor	Starlite
11120-100-1409	21D64-44	Ignitor	Starlite
112P30A24V	49M11-843	Contactora	MA Line
1138-100	50F06-843	Fan Blower Ctl.	Lennox
1138-103	50F06-843	Fan Blower Ctl.	York
1138-200	50F06-843	Fan Blower Ctl.	ICP
1138-83-1002A	50F06-843	Fan Blower Ctl.	Lennox
1138-83-200A	50F06-843	Fan Blower Ctl.	ICP
1139-151	48X21-811	Air Handler Ctl.	Rheem
1139-83-1511A	48X21-811	Air Handler Ctl.	Rheem
1139-83-160A	48P21-811	Air Handler Ctl.	Rheem
1148145	21D64-44	Ignitor	Heil Quaker
1148167	21M51U-843	Furnace Ctl.	Trane
1148245	21D64-44	Ignitor	HB Smith
1149356	3098-134	Flame Sensor	Carrier
1149482	36C74-913	Gas Valve	Carrier
1149646	36C84-921	Gas Valve	Carrier
1149696	36C84-921	Gas Valve	Carrier
1149781	36C03-333, 36C03-300, 36C03-433	Gas Valve	Carrier
1149848	36H64-463	Gas Valve	Carrier
1150489	50F06-843	Fan Blower Ctl.	ICP
1157-83-1002A	47D01U-843	Defrost Ctl.	Rheem
1157-83-9021A	47D01U-843	Defrost Ctl.	York
1157-83-902B	47D01U-843	Defrost Ctl.	York
1157-83-904B	47D01U-843	Defrost Ctl.	York
1157-83-904C	47D01U-843	Defrost Ctl.	York
1157-901	47D01U-843	Defrost Ctl.	York
1157-902	47D01U-843	Defrost Ctl.	York
1157-903	47D01U-843	Defrost Ctl.	York
1157-904	47D01U-843	Defrost Ctl.	York
1157-912	47D01U-843	Defrost Ctl.	York
115Z36	50M56X-843, 50X57-843	Furnace Ctl.	Grainger
115Z39	50M56X-843, 50X57-843	Furnace Ctl.	Grainger
1160192	50F06-843	Fan Blower Ctl.	ICP
1160253	36C03-433, 36C03-400	Gas Valve	Carrier
1160717	47D01U-843	Defrost Ctl.	Carrier
1162036	36G32-500	Gas Valve	Honeywell
1162-201	50M56X-843, 50M56U-843	Furnace Ctl.	York
1162-202	50M56X-843, 50A56-956, 50M56U-843	Furnace Ctl.	York
1162470	36C94-303	Gas Valve	ICP

PART REPLACING	SUGGESTED REPLACEMENT(S)	PRODUCT CATEGORY	COMPANY NAME
1162544	36H32-304, 36H32-423	Gas Valve	Carrier
1162-83-202	50M56X-843, 50A56-956, 50M56U-843	Furnace Ctl.	York
1162-83-202A	50M56X-843, 50A56-956, 50M56U-843	Furnace Ctl.	York
1165-310	50A55-743	Furnace Ctl.	White-Rodgers
1165-83-300A	50A55-743	Furnace Ctl.	White-Rodgers
116J02	50M56X-843, 50X57-843	Furnace Ctl.	Grainger
1170063	50F06-843	Fan Blower Ctl.	ICP
1170429	50I56D-905	Smart Valve	Honeywell
1170430	50I56D-905	Smart Valve	Honeywell
1171734	48P55-751, 48M55-751	Air Handler Ctl.	Carrier
1171803	47D01U-843	Defrost Ctl.	Carrier
1172550	50M56U-751	Furnace Ctl.	ICP
1172551	21V51D-751	Furnace Ctl.	Carrier
1172809	21V51D-751	Furnace Ctl.	Carrier
1172809 1172551	21V51D-751	Furnace Ctl.	Carrier
1172827	790-751A1, 790-843A1	Flame Sensor	ICP
117284	50M56X-843, 50A55-843, 50M56U-843	Furnace Ctl.	Climatic
1172975	48M55-751	Air Handler Ctl.	Carrier
1173425	47D01U-843	Defrost Ctl.	Carrier
1173636	47D01U-843	Defrost Ctl.	Heil Quaker
1173696	47D01U-843	Defrost Ctl.	Carrier
1175723	50E47U-843	Ign. Module	Southbend Range
1176919	789A-751A1	Ignitor	Carrier
1176920	790-751A1, 790-843A1	Flame Sensor	ICP
1177204	36J24-214	Gas Valve	Carrier
1177542	36J54-214	Gas Valve	Southbend Range
1177927	47D01U-843	Defrost Ctl.	Carrier
1179161	790-751A1, 790-843A1	Flame Sensor	ICP
1179429	36J22-214	Gas Valve	Carrier
1179698	36J54-214	Gas Valve	Southbend Range
1180634	36J54-214	Gas Valve	Southbend Range
1180955	36J54-214	Gas Valve	Southbend Range
1182167	36G32-500	Gas Valve	Honeywell
1183386	50M56X-843, 50X57-843	Furnace Ctl.	Carrier
1183599	50M56U-751	Furnace Ctl.	ICP
1184322	790-751A1, 790-843A1	Flame Sensor	ICP
1184408	21V51D-751	Furnace Ctl.	Carrier
1184412	50M56X-843, 50X57-843	Furnace Ctl.	Carrier
1184594	50M56X-843	Furnace Ctl.	Carrier
1184783	50M56X-843	Furnace Ctl.	Carrier
1185790	47D01U-843	Defrost Ctl.	Carrier
1186024	50M56X-843	Furnace Ctl.	Carrier
1186115	50M56X-843	Furnace Ctl.	Carrier
1189311	760-401, 790-843A1	Flame Sensor	Southbend Range
119-0087	50E47U-843	Ign. Module	Sierra
1190383	790-751A1, 790-843A1	Flame Sensor	ICP
1195-100	50M56X-843	Furnace Ctl.	Lennox
1195-83-100A	50M56X-843	Furnace Ctl.	Lennox
119651-59A	21D64-44	Ignitor	MTS Systems



## CROSS REFERENCE

PART REPLACING	SUGGESTED REPLACEMENT(S)	PRODUCT CATEGORY	COMPANY NAME
11J28-00381-002	36C03-433, 36C03-400	Gas Valve	Mestek
11J28-00742	36H32-423	Gas Valve	Mestek
11J28-02454-001	36H64-463	Gas Valve	Mestek
11J28-02454-003	36H64-463	Gas Valve	Mestek
11J28-06892-001	36J22-214, 36H32-423	Gas Valve	Mestek
11J28-06892-002	36J22-214, 36H32-423	Gas Valve	Mestek
11J28-06893-001	36H32-423	Gas Valve	Mestek
11J28-06893-002	36H32-423	Gas Valve	Mestek
11J28-06894-001	36J54-214, 36H64-463	Gas Valve	Mestek
11J28-06894-002	36J54-214, 36H64-463	Gas Valve	Mestek
11J28-06895-001	36H64-463	Gas Valve	Mestek
11J28-06895-002	36H64-463	Gas Valve	Mestek
11K71	47D01U-843	Defrost Ctl.	Lennox
11K7101	47D01U-843	Defrost Ctl.	Lennox
11L08	36J54-214	Gas Valve	Lennox
120003	764-742	Gas Valve	Empire Products
120032	36C03U-333	Gas Valve	Empire Products
120-06165	760-401, 790-843A1	Flame Sensor	LB White
120-06622	36H32-214, 36J22-214, 36H32-304	Gas Valve	White-Rodgers
120-06821	36H32-214, 36J22-214, 36H32-304	Gas Valve	White-Rodgers
120-07262	760-401, 790-843A1	Flame Sensor	LB White
120-07549	767A-371, 21D64-2	Ignitor	LB White
120-08027	50E47U-843, 50E47-843	Ign. Module	LB White
120-09298C	50E47U-843	Ign. Module	UTEC
120-09318	36H32-214, 36J22-214, 36H32-304	Gas Valve	White-Rodgers
120-09319	36H32-214, 36J22-214, 36H32-304	Gas Valve	White-Rodgers
1200AMVR	36C03U-333, 36C03U-433	Gas Valve	Robertshaw
1200BGVE	36C03-300, 36C03-333, 36C03-433	Gas Valve	Robertshaw
1200BGVEM	36C03-300, 36C03-333, 36C03-433	Gas Valve	Robertshaw
120-132217B	36J55-214	Gas Valve	LB White
120-132558	36G22-254	Gas Valve	LB White
1210AMVR	36C03U-333, 36C03U-433	Gas Valve	Robertshaw
1210BGVE	36C03-300, 36C03-333, 36C03-433	Gas Valve	Robertshaw
1210BGVEM	36C03-300, 36C03-333, 36C03-433	Gas Valve	Robertshaw
1214201	50M56X-843, 50M56U-843	Furnace Ctl.	Lennox
12191-004	36C03U-333, 36C03U-433	Gas Valve	White-Rodgers
12-2369-01	49M11-843	Contactactor	Scotsman Ice
12-2469-02	49M11-843	Contactactor	Scotsman Ice
12-2469-03	49M11-843	Contactactor	Scotsman Ice
124110	50M56X-843, 21D83M-843, 50M56U-843	Furnace Ctl.	Lennox
12427	30A46-5	Flame Sensor	Long
126508	36J22-214, 36H32-423	Gas Valve	York
12654	36J54-214	Gas Valve	York
128099	36H32-423	Gas Valve	American Dryer
12858	36J24-214	Gas Valve	Beckett
128927	36H32-214, 36J22-214, 36H32-304	Gas Valve	American Dryer
128928	36H32-423	Gas Valve	American Dryer
128937	50D50U-843	Ign. Module	ADC
128944	25M01A-101	Gas Valve	American Dryer
128979	36J22-214, 36H32-214, 36H32-304	Gas Valve	American Dryer
12908	36J22-214	Gas Valve	Beckett
12J54	47D01U-843	Defrost Ctl.	Lennox
12J5401	47D01U-843	Defrost Ctl.	Lennox
12L09	790-843A1, 790-843A5PK	Flame Sensor	Lennox

PART REPLACING	SUGGESTED REPLACEMENT(S)	PRODUCT CATEGORY	COMPANY NAME
12L42	50M56X-843	Furnace Ctl.	Lennox
12L4201	50M56X-843, 50M56U-801, 50A55-843	Furnace Ctl.	Lennox
12L4301	21D64-44	Ignitor	Lennox
12L5701	36J54-214	Gas Valve	White-Rodgers
12L69	50M56X-843, 50A65-843, 50M56U-843	Furnace Ctl.	Lennox
12L6901	50M56X-843, 50A65-843, 50M56U-843	Furnace Ctl.	Lennox
1300-4928	50E47U-843, 50E47-843	Ign. Module	Agile
13005075	36H32-214, 36H32-304	Gas Valve	Sibley Ind.
13005223	36H32-214, 36H32-304	Gas Valve	Agile
1300-5223	36J22-214	Gas Valve	White-Rodgers
13006223	36J22-214	Gas Valve	Agile
130280	36J24-214	Gas Valve	York
13101	49M11-843	Contactactor	Mars
13104	49M11-843	Contactactor	Mars
131180500	25M01A-100	Gas Valve	Frigidaire
131180700	25M01A-100	Gas Valve	Frigidaire
1380604	5059-134	Pilot Control	Carrier
1380636	5059-134	Pilot Control	ICP
1380654	767A-370, 21D64-2	Ignitor	Carrier
1380668	50D50U-843	Ign. Module	Carrier
138067	21D64-44	Ignitor	Snyder General
1380672	767A-370, 21D64-2	Ignitor	Snyder General
1380679	790-843A1, 790-843A5PK	Flame Sensor	ICP
1380680	767A-370, 21D64-2	Ignitor	Snyder General
1380686	50M56X-843, 50A55-843, 50M56U-843	Furnace Ctl.	Carrier
1380-686	50M56X-843, 50M56U-843	Furnace Ctl.	Carrier
1380687	790-843A1, 790-843A5PK	Flame Sensor	ICP
1380694	50E47U-843, 50E47-843	Ign. Module	Carrier
1380698	50M56X-843, 50A55-843, 50M56U-843	Furnace Ctl.	Carrier
1380699	50M56X-843, 50A55-843, 50M56U-843	Furnace Ctl.	Carrier
1380-699	50M56X-843, 50M56U-843	Furnace Ctl.	Carrier
1395-329	47D01U-843	Defrost Ctl.	Snyder General
13P96	36H64-463	Gas Valve	Lennox
140006	36C03A-410	Gas Valve	American Dryer
140026	36H32-423	Gas Valve	American Dryer
14028	50M56X-843, 50A55-843, 50M56U-843	Furnace Ctl.	Metropac
14029	50M56X-843, 50A55-843, 50M56U-843	Furnace Ctl.	Metropac
14030	50M56X-843, 50A55-843, 50M56U-843	Furnace Ctl.	Metropac
14031	50M56X-843, 50A55-843, 50M56U-843	Furnace Ctl.	Metropac
143-1	49M11-843	Contactactor	White-Rodgers
14320B	764-742	Gas Valve	Hearth Tech
14321	49M11-843	Contactactor	Mars
143-6	49M11-843	Contactactor	White-Rodgers
14364	36H65-401	Gas Valve	Beckett
14365	36H33-412	Gas Valve	Beckett
143-7	49M11-843	Contactactor	White-Rodgers
14438	764-742	Gas Valve	Fireplace Mfg
145493	25M01A-100	Gas Valve	WCI Laundry

## CROSS REFERENCE

PART REPLACING	SUGGESTED REPLACEMENT(S)	PRODUCT CATEGORY	COMPANY NAME
14650	36J24-214	Gas Valve	Beckett
14651	36J54-214	Gas Valve	Beckett
14662070	50D50U-843	Ign. Module	Utica Boiler
1474-051	767A-371, 21D64-2	Ignitor	Coleman
1474-052	767A-371, 21D64-2	Ignitor	Coleman
14935	50D50U-843	Ign. Module	Henny Penny
1500989701	36H32-423	Gas Valve	Hayward
1500989801	36H32-423	Gas Valve	Hayward
150114-04-01	767A-374	Ignitor	Comfort Zone
1501369801	36H32-423	Gas Valve	Hayward
1503029301	36H32-423	Gas Valve	Hayward
1503029401	36H32-423	Gas Valve	Hayward
1503032101	36H32-423	Gas Valve	Hayward
1503033001	36H32-423	Gas Valve	Hayward
1503072001	36H32-423	Gas Valve	Hayward
1503072101	36H32-423	Gas Valve	Hayward
1503072201	36H32-423	Gas Valve	Hayward
1503072301	36H32-423	Gas Valve	Hayward
1507N170027	47D01U-843	Defrost Ctl.	Lennox
150-83-6A	47D01U-843	Defrost Ctl.	Carrier
155489	50E47U-843	Ign. Module	Groen
156501	790-843A1, 790-843A5PK	Flame Sensor	Groen
15659A	36J22-214, 36H32-214, 36H32-304	Gas Valve	Hearth Tech
157167	36H32-304, 36H32-423	Gas Valve	Reznor
157168	36H32-423	Gas Valve	Reznor
1585956	36C03-433, 36C03-400	Gas Valve	Carrier
1585964	36C74-913	Gas Valve	Carrier
1585975	36H32-214, 36H32-304	Gas Valve	Carrier
1585980	36H32-214, 36H32-304	Gas Valve	Carrier
1585981	36H32-214, 36H32-304	Gas Valve	Carrier
1585981U	36H32-214, 36H32-304	Gas Valve	Carrier
1585-982	36C74-913	Gas Valve	Carrier
1585987	36J24-214	Gas Valve	Carrier
1585988	36H32-214, 36H32-304	Gas Valve	Carrier
15B51	50D50U-843	Ign. Module	Lennox
15C34	47D01U-843	Defrost Ctl.	Lennox
15C3401	47D01U-843	Defrost Ctl.	Lennox
15P26	5059-134	Pilot Control	Lennox
15P27	760-56	Flame Sensor	Lennox
161222	36J24-214	Gas Valve	Suburban
161R27	789A-801A1	Ignitor	Grainger
162283	50E47U-843	Ign. Module	Groen
16239	36J22-214, 36H32-214, 36H32-304	Gas Valve	Hearth Tech
16921	50E47U-843	Ign. Module	Nieco
16A52	36G22-254	Gas Valve	Lennox
16A53	36G22-254	Gas Valve	Lennox
16C81	50M56X-843, 50X57-843	Furnace Ctl.	Lennox
16V38	47D01U-843	Defrost Ctl.	Lennox
16V3801	47D01U-843	Defrost Ctl.	Lennox
16Y31	36H64-463	Gas Valve	Lennox
16Y32	36H64-463	Gas Valve	Lennox
17121	49M11-843	Contactora	Mars
17125	49M11-843	Contactora	Mars
17215	49M11-843	Contactora	Mars
17221	49M11-843	Contactora	Mars

PART REPLACING	SUGGESTED REPLACEMENT(S)	PRODUCT CATEGORY	COMPANY NAME
17225	49M11-843	Contactora	Mars
17311	49M11-843	Contactora	Jard
17315	49M11-843	Contactora	Jard
17321	49M11-843	Contactora	Mars
17325	49M11-843	Contactora	Mars
17415	49M11-843	Contactora	Jard
174552	47D01U-843	Defrost Ctl.	York
17583	36H32-214, 36H32-304	Gas Valve	York
175877K	50D50U-843	Ign. Module	Duke Mfg
17597	36J22-214, 36H32-214, 36H32-304	Gas Valve	York
17624	36J54-214, 36H64-463	Gas Valve	York
17625	36J54-214, 36H64-463	Gas Valve	York
17629	36J24-214, 36H33-412	Gas Valve	York
176680	36G32-500	Gas Valve	Honeywell
176681	36G33-500	Gas Valve	Honeywell
17H19	36J55-214	Gas Valve	Lennox
17H20	36J22-214	Gas Valve	Lennox
17H21	36J24-214	Gas Valve	Lennox
17H22	36H64-463	Gas Valve	Lennox
17M14	47D01U-843	Defrost Ctl.	Lennox
17M1401	47D01U-843	Defrost Ctl.	Lennox
17W70	50M56X-843	Furnace Ctl.	Lennox
17W7001	50M56X-843	Furnace Ctl.	Lennox
17W92	50M56X-843, 50A66-743, 50M56U-843	Furnace Ctl.	Lennox
17W9201	50M56X-843, 50A66-743, 50M56U-843	Furnace Ctl.	Lennox
1809913	50M56X-843	Furnace Ctl.	Goodman
182052-001	36H32-214, 36H32-304, 36H32-423	Gas Valve	White-Rodgers
1830-620	791P-751KT1	Pilot Control	Robertshaw
1830-620K	791P-751KT1	Pilot Control	Robertshaw
18381	21M51U-843	Furnace Ctl.	York
18384	21M51U-843	Furnace Ctl.	York
18390	47D01U-843	Defrost Ctl.	York
184032	36J54-214	Gas Valve	American Dryer
18654A	36J54-214, 36H64-463	Gas Valve	White-Rodgers
18655A	36J54-214, 36H64-463	Gas Valve	White-Rodgers
189D7089P001	25M01A-101	Gas Valve	Mabe
189D7089P002	25M01A-101	Gas Valve	Mabe
189D7089P003	25M01A-101	Gas Valve	Mabe
189D7089P004	25M01A-101	Gas Valve	Mabe
189D7089P005	25M01A-101	Gas Valve	Mabe
189D7089P006	25M01A-101	Gas Valve	Mabe
189D7089P009	25M01A-101	Gas Valve	Mabe
18G91	50D50-801	Ign. Module	Lennox
18G9101	50D50-801	Ign. Module	Lennox
18M23	47D01U-843	Defrost Ctl.	Lennox
18M2301	47D01U-843	Defrost Ctl.	Lennox
18M3401	21M51U-843	Furnace Ctl.	Lennox
18M9901	21V51U-843	Furnace Ctl.	Lennox
19-13702	49M11-843	Contactora	Master Bilt
19-13703	49M11-843	Contactora	Master Bilt
19-13934	49M11-843	Contactora	Master Bilt
19-13936	49M11-843	Contactora	Master Bilt
192454-000	36H32-423	Gas Valve	White-Rodgers

# CROSS REFERENCE

PART REPLACING	SUGGESTED REPLACEMENT(S)	PRODUCT CATEGORY	COMPANY NAME
192454-001	36H32-423	Gas Valve	White-Rodgers
192454-002	36H32-423	Gas Valve	White-Rodgers
192454-003	36H32-423	Gas Valve	White-Rodgers
192827-000	36C74-913	Gas Valve	White-Rodgers
192827-002	36C74-913	Gas Valve	White-Rodgers
192966-000	36H32-304, 36H32-423	Gas Valve	White-Rodgers
192967-000	36H32-304, 36H32-423	Gas Valve	White-Rodgers
194300330001	50M56X-843, 50A55-843, 50M56U-843	Furnace Ctl.	Fedders
194406-001	36C74-913	Gas Valve	White-Rodgers
19465-G3	30A46-5	Flame Sensor	Perfection
195292	790-843A1, 790-843A5PK	Flame Sensor	Reznor
1965	49M11-843	Contactora	Nor-Lake
196632-000	36H32-304, 36H32-423	Gas Valve	White-Rodgers
197282-000	36H33-412	Gas Valve	White-Rodgers
197282-001	36H33-412	Gas Valve	White-Rodgers
197738-000	36H32-423	Gas Valve	White-Rodgers
197738-001	36H32-423	Gas Valve	White-Rodgers
197738-002	36H32-423	Gas Valve	White-Rodgers
197738-003	36H32-423	Gas Valve	White-Rodgers
19W60	21V51U-843	Furnace Ctl.	Lennox
1D279	36H32-304	Gas Valve	Grainger
1EFX2	21D64-2, 21D64-44	Ignitor	Grainger
1F75	49M11-843	Contactora	Lennox
1N180	3098-134	Flame Sensor	Grainger
1N181	3098-156	Flame Sensor	Grainger
1P30A24V	49M11-843	Contactora	MA Line
1RC51	36C03-300	Gas Valve	Grainger
1RC52	36H64-463	Gas Valve	Grainger
1RC53	36H64-463	Gas Valve	Grainger
1S25A	49M11-843	Contactora	Packard/Fasco
1S30A	49M11-843	Contactora	Packard/Fasco
1YRN7	36H32-423	Gas Valve	Grainger
1YRN8	36H64-463	Gas Valve	Grainger
2000DERHC	36G32-500	Gas Valve	Robertshaw
2000IPERHC	36G32-500, 36H32-214, 36H32-304	Gas Valve	Robertshaw
20015201	767A-370, 21D64-2	Ignitor	Ducane
20054501	50F06-843	Fan Blower Ctl.	Lennox
20054502	50F06-843	Fan Blower Ctl.	Lennox
2006569	49M11-843	Contactora	Manitowoc Ice
2006579	49M11-843	Contactora	Manitowoc Ice
2006589	49M11-843	Contactora	Manitowoc Ice
20065959	25M01A-101	Gas Valve	Inglis Canada
2006599	49M11-843	Contactora	Manitowoc Ice
201	767A-370, 21D64-2	Ignitor	Norton
20165702	767A-378, 21D64-2	Ignitor	Amana
20165703	767A-378, 21D64-2	Ignitor	Amana
201657-03	767A-378, 21D64-2	Ignitor	Amana
20165703S	767A-378, 21D64-2	Ignitor	Amana
201A	767A-369	Ignitor	Norton
201D	767A-361, 21D64-2	Ignitor	Norton
201J	767A-374	Ignitor	Norton
201K	767A-371, 21D64-2	Ignitor	Norton
201L	767A-371, 21D64-2	Ignitor	Norton
201M	767A-374	Ignitor	Norton

PART REPLACING	SUGGESTED REPLACEMENT(S)	PRODUCT CATEGORY	COMPANY NAME
201N	767A-371, 21D64-2	Ignitor	Norton
201NM	21D64-44	Ignitor	Norton
201P	21D64-44	Ignitor	Norton
201R	767A-371, 21D64-2	Ignitor	Norton
201W	767A-371, 21D64-2	Ignitor	Norton
201Y	767A-374	Ignitor	Norton
2022-0192	36H32-423	Gas Valve	White-Rodgers
20256701	50I56D-905	Smart Valve	Honeywell
20293901	47D01U-843	Defrost Ctl.	Goodman
20300001	21M51U-843	Furnace Ctl.	Goodman
20300002	21V51U-843	Furnace Ctl.	Goodman
20300003	21M51U-843	Furnace Ctl.	Goodman
20300004	21V51U-843	Furnace Ctl.	Goodman
20300006	21V51U-843	Furnace Ctl.	Goodman
20300006S	21V51U-843	Furnace Ctl.	Goodman
20394001	50M56X-843, 50M56U-843	Furnace Ctl.	Goodman
20404302	47D01U-843	Defrost Ctl.	Lennox
20430801	50F06-843	Fan Blower Ctl.	Lennox
2043081	50F06-843	Fan Blower Ctl.	Lennox
20466803	36J22-214, 36H32-423	Gas Valve	Allied Air
20467102	790-843A1, 790-843A5PK	Flame Sensor	Lennox
20488501	790-707A1, 790-843A1	Flame Sensor	Goodman
20-5025	36J22-214	Gas Valve	GSI
20-5026	36J22-214	Gas Valve	GSI
20-5045	790-843A1, 790-843A5PK	Flame Sensor	AP PuraFire
20537-041	5059-134	Pilot Control	Heat Controller
20594	36J24-214	Gas Valve	Recreation Vehicle
2065865	760-401, 790-843A1	Flame Sensor	American Wtr Htr
2076-0184	50E47U-843, 50E47-843	Ign. Module	White-Rodgers
20834	767A-371, 21D64-2	Ignitor	DMO Ind.
20937951	36C53-418	Gas Valve	Grainger
20J35	36G22-254	Gas Valve	Lennox
20J38	36G22-254	Gas Valve	Lennox
20J40	36H64-463	Gas Valve	Lennox
20J41	36H64-463	Gas Valve	Lennox
212572	767A-371, 21D64-2	Ignitor	HD Supply
212575	767A-372, 21D64-2	Ignitor	HD Supply
215-402	36C03-300	Gas Valve	Essex
215-404	36C03-300	Gas Valve	Essex
21C140501G18	47D01U-843	Defrost Ctl.	Trane
21C140501G27	47D01U-843	Defrost Ctl.	Trane
21C140501G36	47D01U-843	Defrost Ctl.	Trane
21C140501G37	47D01U-843	Defrost Ctl.	Trane
21C140501G38	47D01U-843	Defrost Ctl.	Trane
21C140501G42	47D01U-843	Defrost Ctl.	Trane
21C140501G44	47D01U-843	Defrost Ctl.	Trane
21C140501G45	47D01U-843	Defrost Ctl.	Trane
21C140501G46	47D01U-843	Defrost Ctl.	Trane
21C140501G49	47D01U-843	Defrost Ctl.	Trane
21C140501G51	47D01U-843	Defrost Ctl.	Trane
21C140501G53	47D01U-843	Defrost Ctl.	Trane
21C140501G54	47D01U-843	Defrost Ctl.	Trane
21C140501G55	47D01U-843	Defrost Ctl.	Trane
21C140501G55V	47D01U-843	Defrost Ctl.	Trane

## CROSS REFERENCE

PART REPLACING	SUGGESTED REPLACEMENT(S)	PRODUCT CATEGORY	COMPANY NAME
21C140501G56	47D01U-843	Defrost Ctl.	Trane
21C140501G59	47D01U-843	Defrost Ctl.	Trane
21C140501G60	47D01U-843	Defrost Ctl.	Trane
21C142827G01	47D01U-843	Defrost Ctl.	Trane
21D02-475-01	F50N02-820	RTU Control	Trane
21D64-1	21D64-2, 21D64-44	Ignitor	White-Rodgers
21D64-2	21D64-2, 21D64-44	Ignitor	White-Rodgers
21D64-3	21D64-2, 21D64-44	Ignitor	White-Rodgers
21D64-44	21D64-44	Ignitor	White-Rodgers
21D64-4CR	21D64-2, 21D64-44	Ignitor	White-Rodgers
21D64-5PK	21D64-5PK	Ignitor	White-Rodgers
21D70-495-01	50E70-820	RTU Control	Trane
21D70-495-02	50E70-820	RTU Control	Trane
21D83M-843	50M56X-843, 21D83M-843, 50M56U-843	Furnace Ctl.	White-Rodgers
21J7601	36H32-214, 36H32-304	Gas Valve	Lennox
21J7701	36J54-214, 36H64-463	Gas Valve	Lennox
21J8801	36J54-214, 36H64-463	Gas Valve	Lennox
21M51-495	21M51U-843	Furnace Ctl.	Trane
21M51-843	21M51U-843	Furnace Ctl.	White-Rodgers
21M51U-843	21M51U-843	Furnace Ctl.	White-Rodgers
21V12	36J24-214	Gas Valve	Lennox
21V51D-751	21V51D-751	Furnace Ctl.	White-Rodgers
21V51U-843	21V51U-843	Furnace Ctl.	White-Rodgers
2200879	25M01A-100	Gas Valve	Maytag
2206-120	36H32-214, 36H32-304	Gas Valve	Chicago Dryer
221525	36H32-423	Gas Valve	Thomas & Betts
221526	36H32-423	Gas Valve	Reznor
222254	36H33-412	Gas Valve	HD Supply
222652	36C03-300	Gas Valve	HD Supply
222653	36C03U-333	Gas Valve	HD Supply
22470-001	36H32-423	Gas Valve	Beckett
22470-002	36H32-423	Gas Valve	Beckett
2271094	36H32-214	Gas Valve	All Points
233-42909	50D50U-843	Ign. Module	Bradford White
233-42909-00	50D50U-843	Ign. Module	Bradford White
233-43128-00	50D50U-843	Ign. Module	Bradford White
239-4183-00	50D50U-843	Ign. Module	Bradford White
23L00	47D01U-843	Defrost Ctl.	Lennox
23L0001	47D01U-843	Defrost Ctl.	Lennox
23M22	47D01U-843	Defrost Ctl.	Lennox
23M2201	47D01U-843	Defrost Ctl.	Lennox
23W51	50M56X-843, 50A66-743, 50M56U-843	Furnace Ctl.	Lennox
23W5101	50M56X-843, 50A66-743, 50M56U-843	Furnace Ctl.	Lennox
2400-048	767A-369	Ignitor	Heatmaker
240006526	36J54-214, 36H64-463	Gas Valve	ECR Int.
2400-286	767A-369	Ignitor	Heatmaker
24-103	36H32-423	Gas Valve	Cambridge
24-172	36J22-214	Gas Valve	Cambridge
241D1308P001	25M01A-101	Gas Valve	GE
2433900	3098-156	Flame Sensor	ICP
24376701	790-843A1, 790-843A5PK	Flame Sensor	ICP
2460D 601-005	50D50U-843	Ign. Module	Fenwal
2460D 606-111	50D50U-843	Ign. Module	Fenwal

PART REPLACING	SUGGESTED REPLACEMENT(S)	PRODUCT CATEGORY	COMPANY NAME
2460D 902-005	50D50U-843	Ign. Module	Fenwal
2461D 526-225	50D50U-843	Ign. Module	Fenwal
2461D 908-223	50D50U-843	Ign. Module	Fenwal
2466H936-111	50E47U-843	Ign. Module	Fenwal
2475275	36C84-912	Gas Valve	Grainger
24L85	21D83M-843	Furnace Ctl.	Lennox
24L8501	21D83M-843	Furnace Ctl.	Lennox
2525436700	50E47U-843, 50E47-843	Ign. Module	York
2527720700	36H32-423	Gas Valve	York
2527773700	790-956A1, 790-843A1	Flame Sensor	York
2530801000	790-843A1, 790-843A5PK	Flame Sensor	York
2532625000	767A-371, 21D64-2	Ignitor	York
2536314000	790-843A1, 790-843A5PK	Flame Sensor	York
2541090000	36H64-463	Gas Valve	York
257009	50D50U-843	Ign. Module	Reznor
257010	50D50U-843	Ign. Module	Reznor
25957	790-843A1, 790-843A5PK	Flame Sensor	Nieco
25J5901	36J24-214	Gas Valve	White-Rodgers
25K4401	36J24-214	Gas Valve	White-Rodgers
25M01A-100	25M01A-100	Gas Valve	White-Rodgers
25M01A-101	25M01A-101	Gas Valve	White-Rodgers
25M01A-102	25M01A-100	Gas Valve	White-Rodgers
25M01A-103	25M01A-100	Gas Valve	White-Rodgers
25M01A-104	25M01A-100	Gas Valve	White-Rodgers
25M01A-109	25M01A-101	Gas Valve	White-Rodgers
25M01A-128	25M01A-101	Gas Valve	White-Rodgers
25M01A-130	25M01A-100	Gas Valve	White-Rodgers
25M01A-131	25M01A-101	Gas Valve	White-Rodgers
25M01A-132	25M01A-101	Gas Valve	White-Rodgers
25M01A-137	25M01A-101	Gas Valve	White-Rodgers
25M01A-138	25M01A-101	Gas Valve	White-Rodgers
25M01A-139	25M01A-101	Gas Valve	White-Rodgers
25M01A-141	25M01A-101	Gas Valve	White-Rodgers
25M01A-143	25M01A-100	Gas Valve	White-Rodgers
25M01A-144	25M01A-100	Gas Valve	White-Rodgers
25M01A-145	25M01A-100	Gas Valve	White-Rodgers
25M01A-146	25M01A-100	Gas Valve	White-Rodgers
25M01A-149	25M01A-100	Gas Valve	White-Rodgers
25M01A-151	25M01A-100	Gas Valve	White-Rodgers
25M01A-152	25M01A-100	Gas Valve	White-Rodgers
25M01A-153	25M01A-100	Gas Valve	White-Rodgers
25M01A-155	25M01A-100	Gas Valve	White-Rodgers
25M01A-156	25M01A-100	Gas Valve	White-Rodgers
25M01A-157	25M01A-100	Gas Valve	White-Rodgers
25M01A-160	25M01A-100	Gas Valve	White-Rodgers
25M01A-164	25M01A-101	Gas Valve	White-Rodgers
25M01A-166	25M01A-101	Gas Valve	White-Rodgers
25M01A-167	25M01A-101	Gas Valve	White-Rodgers
25M01A-168	25M01A-101	Gas Valve	White-Rodgers
25M01A-169	25M01A-101	Gas Valve	White-Rodgers
25M01A-175	25M01A-101	Gas Valve	White-Rodgers
25M01A-176	25M01A-101	Gas Valve	White-Rodgers
25M01A-177	25M01A-101	Gas Valve	White-Rodgers
25M01A-178	25M01A-101	Gas Valve	White-Rodgers
25M01A-181	25M01A-101	Gas Valve	White-Rodgers

## CROSS REFERENCE

PART REPLACING	SUGGESTED REPLACEMENT(S)	PRODUCT CATEGORY	COMPANY NAME
25M01A-185	25M01A-100	Gas Valve	White-Rodgers
25M01A-186	25M01A-101	Gas Valve	White-Rodgers
25M01A-187	25M01A-100	Gas Valve	White-Rodgers
25M01A-188	25M01A-100	Gas Valve	White-Rodgers
25M01A-190	25M01A-100	Gas Valve	White-Rodgers
25M01A-195	25M01A-100	Gas Valve	White-Rodgers
25M01A-196	25M01A-100	Gas Valve	White-Rodgers
25M01A-199	25M01A-100	Gas Valve	White-Rodgers
25M01A-201	25M01A-101	Gas Valve	White-Rodgers
25M01A-202	25M01A-101	Gas Valve	White-Rodgers
25M01A-203	25M01A-101	Gas Valve	White-Rodgers
25M01A-204	25M01A-101	Gas Valve	White-Rodgers
25M01A-205	25M01A-101	Gas Valve	White-Rodgers
25M01A-206	25M01A-101	Gas Valve	White-Rodgers
25M01A-209	25M01A-101	Gas Valve	White-Rodgers
25M01A-876	25M01A-101	Gas Valve	White-Rodgers
25M01A-877	25M01A-101	Gas Valve	White-Rodgers
25M51A-177	25M01A-101	Gas Valve	White-Rodgers
2600-359	767A-369	Ignitor	Trianco
261008	50D50U-843	Ign. Module	Capable
26108	50D50U-843	Ign. Module	Capable
26236	36j22-214, 36H32-423	Gas Valve	Hearth Tech
26300	790-843A1, 790-843A5PK	Flame Sensor	Nieco
265901	50M56X-843, 50A56-956, 50M56U-843	Furnace Ctl.	York
265902	50M56X-843, 50A56-956, 50M56U-843	Furnace Ctl.	York
265903	21M51U-843	Furnace Ctl.	York
265904	21V51U-843	Furnace Ctl.	York
26789	21D64-44	Ignitor	DMO Ind.
26E-10	47D01U-843	Defrost Ctl.	Therm-O-Disc
2702-300	50F06-843	Fan Blower Ctl.	York
2702-300P	50F06-843	Fan Blower Ctl.	York
2702-311P	790-843A1, 790-843A5PK	Flame Sensor	York
2702-328	36j22-214, 36H32-214, 36H32-304	Gas Valve	White-Rodgers
270373	36j54-214	Gas Valve	Nortek
270378	36j22-214	Gas Valve	Nortek
271	767A-370, 21D64-2	Ignitor	Norton
271A	767A-369	Ignitor	Norton
271B	767A-374	Ignitor	Norton
271D	21D64-44	Ignitor	Norton
271K	21D64-44	Ignitor	Norton
271L	21D64-44	Ignitor	Norton
271M	767A-370, 21D64-2	Ignitor	Norton
271N	767A-371, 21D64-2	Ignitor	Norton
271NM	767A-385, 767A-378, 21D64-44	Ignitor	Norton
271P	767A-361, 21D64-2	Ignitor	Norton
271Q	767A-369	Ignitor	Norton
271R	21D64-44	Ignitor	Norton
271W	767A-371, 21D64-2	Ignitor	Norton
271Y	767A-374	Ignitor	Norton
2722486	30A46-5	Flame Sensor	Grainger
2756351	3098-156	Flame Sensor	Grainger
2895-3001	50F06-843	Fan Blower Ctl.	York
28G1401	36j22-214, 36H32-214, 36H32-304	Gas Valve	Lennox
28G2601	36H64-463	Gas Valve	Lennox

PART REPLACING	SUGGESTED REPLACEMENT(S)	PRODUCT CATEGORY	COMPANY NAME
28G3001	36H64-463	Gas Valve	Lennox
28G7901	36H32-423	Gas Valve	Lennox
28L49	50D50-801	Ign. Module	Lennox
28L4901	50D50-801	Ign. Module	Lennox
28M901	50F06-843	Fan Blower Ctl.	Lennox
28M97	790-843A1, 790-843A5PK	Flame Sensor	Lennox
28M9701	790-843A1, 790-843A5PK	Flame Sensor	Lennox
28M99	50F06-843	Fan Blower Ctl.	Lennox
28M9901	50F06-843	Fan Blower Ctl.	Lennox
29M01	47D01U-843	Defrost Ctl.	Lennox
29M0101	47D01U-843	Defrost Ctl.	Lennox
29M02	47D01U-843	Defrost Ctl.	Lennox
29M0201	47D01U-843	Defrost Ctl.	Lennox
2C-175	36C03U-433	Gas Valve	Robertshaw
2E374	764-742	Gas Valve	Grainger
2E401	36C03U-433	Gas Valve	Grainger
2E402	36C03-433	Gas Valve	Grainger
2E520	36C03-433	Gas Valve	Grainger
2E725	36C03-333	Gas Valve	Grainger
2E726	36C03-333	Gas Valve	Grainger
2E791	36C03-300	Gas Valve	Grainger
2E854	36C03U-333	Gas Valve	Grainger
2P20A24V	49M11-843	Contactactor	MA Line
2P30A24V	49M11-843	Contactactor	MA Line
2S20A	49M11-843	Contactactor	Packard/Fasco
2STGASVALVE1-2	36j54-214	Gas Valve	Heatco
2STGASVALVE3-4	36H64-463	Gas Valve	Heatco
2STGASVALVE3-4.008	36H65-401	Gas Valve	Heatco
300012109	36H64-463	Gas Valve	McQuay
300012319	3098-156	Flame Sensor	McQuay
300012821	5059-134	Pilot Control	McQuay
30005	36G32-500	Gas Valve	Honeywell
30006	36G32-500	Gas Valve	Honeywell
3003-31	3046-5	Flame Sensor	White-Rodgers
3004-1301	36j22-214	Gas Valve	White-Rodgers
3007-14	3046-5	Flame Sensor	White-Rodgers
3007-35	3046-5	Flame Sensor	White-Rodgers
3007-56	3046-5	Flame Sensor	White-Rodgers
3007-6	3046-5	Flame Sensor	White-Rodgers
3007-60	3046-5	Flame Sensor	White-Rodgers
3007-61	3046-5	Flame Sensor	White-Rodgers
3007-68	3046-5	Flame Sensor	White-Rodgers
30091010	764-742	Gas Valve	Gas Fired Prod.
30198040	50D50U-843	Ign. Module	Space Ray
3020000	36j22-214	Gas Valve	Calcana
3020004	36j22-214	Gas Valve	Calcana
30287	36j22-214, 36H32-423	Gas Valve	Carrier
3030A374	47D01U-843	Defrost Ctl.	Coleman
30455	36j54-214	Gas Valve	Blodgett
3046-1	3046-5	Flame Sensor	White-Rodgers
3046-3	3046-5	Flame Sensor	White-Rodgers
3046-4	3046-5	Flame Sensor	White-Rodgers
3046-5	3046-5	Flame Sensor	White-Rodgers
3047-28	3046-5	Flame Sensor	White-Rodgers
3047-7	3046-5	Flame Sensor	White-Rodgers



## CROSS REFERENCE

PART REPLACING	SUGGESTED REPLACEMENT(S)	PRODUCT CATEGORY	COMPANY NAME
3049-105	3049-115	Flame Sensor	White-Rodgers
3049-106	3049-115	Flame Sensor	White-Rodgers
3049-107	3049-115	Flame Sensor	White-Rodgers
3049-111	3049-115	Flame Sensor	White-Rodgers
3049-112	3049-115	Flame Sensor	White-Rodgers
3049-114	3049-115	Flame Sensor	White-Rodgers
3049-115	3049-115	Flame Sensor	White-Rodgers
3049-120	3049-115	Flame Sensor	White-Rodgers
3049-121	3049-115	Flame Sensor	White-Rodgers
3049-52	3049-115	Flame Sensor	White-Rodgers
3049-54	3049-115	Flame Sensor	White-Rodgers
3049-55	3049-115	Flame Sensor	White-Rodgers
3049-66	3049-115	Flame Sensor	White-Rodgers
3049-68	3049-115	Flame Sensor	White-Rodgers
305007	47D01U-843	Defrost Ctl.	Goettl
3057-1	3046-5	Flame Sensor	White-Rodgers
3057-21	3046-5	Flame Sensor	White-Rodgers
3057-41	3046-5	Flame Sensor	White-Rodgers
3057-43	3046-5	Flame Sensor	White-Rodgers
30632030	50D50U-843	Ign. Module	Sunstar
30632060	50D50U-843	Ign. Module	Space Ray
30632510	50D50U-843	Ign. Module	Sunstar
30755020	36J22-214	Gas Valve	Gas Fired Prod.
30755030	36J22-214	Gas Valve	Gas Fired Prod.
30755040	36J22-214	Gas Valve	Gas Fired Prod.
30755050	36J55-214	Gas Valve	Gas Fired Prod.
30755060	36J24-214	Gas Valve	Gas Fired Prod.
30755070	36J22-214	Gas Valve	Gas Fired Prod.
30755080	36J22-214	Gas Valve	Gas Fired Prod.
30755110	36J22-214	Gas Valve	Gas Fired Prod.
30755120	36J54-214	Gas Valve	Gas Fired Prod.
30755130	36J54-214	Gas Valve	Gas Fired Prod.
30755140	36J54-214	Gas Valve	Gas Fired Prod.
30757	50M56X-843, 50A55-843, 50M56U-843	Furnace Ctl.	Fedders
30767	36J54-214, 36H64-463	Gas Valve	Fedders
3079-100	767A-369	Ignitor	Heatmaker
3079498	36C84-926	Gas Valve	Grainger
30851	50E47U-843	Ign. Module	Blodgett
308541	25M01A-101	Gas Valve	Derby
3-08541	25M01A-101	Gas Valve	White-Rodgers
3098-1	3098-134	Flame Sensor	White-Rodgers
3098-111	3098-134	Flame Sensor	White-Rodgers
3098-122	3098-156	Flame Sensor	White-Rodgers
3098-126	3098-156	Flame Sensor	White-Rodgers
3098-127	3098-156	Flame Sensor	White-Rodgers
3098-130	3098-156	Flame Sensor	White-Rodgers
3098-131	3098-156	Flame Sensor	White-Rodgers
3098-134	3098-134	Flame Sensor	White-Rodgers
3098-136	3098-134	Flame Sensor	White-Rodgers
3098-140	3098-134	Flame Sensor	White-Rodgers
3098-141	3098-134	Flame Sensor	White-Rodgers
3098-142	3098-156	Flame Sensor	White-Rodgers
3098-143	3098-156	Flame Sensor	White-Rodgers
3098-144	3098-156	Flame Sensor	White-Rodgers

PART REPLACING	SUGGESTED REPLACEMENT(S)	PRODUCT CATEGORY	COMPANY NAME
3098-147	3098-134	Flame Sensor	White-Rodgers
3098-149	3098-156	Flame Sensor	White-Rodgers
3098-153	3098-156	Flame Sensor	White-Rodgers
3098-156	3098-156	Flame Sensor	White-Rodgers
3098-158	3098-156	Flame Sensor	White-Rodgers
3098-161	3098-134	Flame Sensor	White-Rodgers
3098-163	3098-156	Flame Sensor	White-Rodgers
3098-165	3098-134	Flame Sensor	White-Rodgers
3098-168	3098-156	Flame Sensor	White-Rodgers
3098-169	3098-134	Flame Sensor	White-Rodgers
3098-171	3098-156	Flame Sensor	White-Rodgers
3098-174	3098-156	Flame Sensor	White-Rodgers
3098-175	3098-156	Flame Sensor	White-Rodgers
3098-182	3098-156	Flame Sensor	White-Rodgers
3098-184	3098-134	Flame Sensor	White-Rodgers
3098-185	3098-156	Flame Sensor	White-Rodgers
3098-186	3098-134	Flame Sensor	White-Rodgers
30A46-1	30A46-5	Flame Sensor	White-Rodgers
30A46-103	30A46-5	Flame Sensor	White-Rodgers
30A46-105	30A46-105	Flame Sensor	White-Rodgers
30A46-12	30A46-5	Flame Sensor	White-Rodgers
30A46-21	30A46-5	Flame Sensor	White-Rodgers
30A46-3	30A46-5	Flame Sensor	White-Rodgers
30A46-31	30A46-5	Flame Sensor	White-Rodgers
30A46-4	30A46-5	Flame Sensor	White-Rodgers
30A46-5	30A46-5	Flame Sensor	White-Rodgers
30A46-51	30A46-5	Flame Sensor	White-Rodgers
30A46-52	30A46-5	Flame Sensor	White-Rodgers
30A46-6	30A46-5	Flame Sensor	White-Rodgers
30A46-7	30A46-5	Flame Sensor	White-Rodgers
30BO-20	49M11-843	Contactora	Elmwood
30CO-20	49M11-843	Contactora	Elmwood
30EO-20	49M11-843	Contactora	Elmwood
30NX16	789A-820KT1	Ignitor	Grainger
30W25	50M56X-843, 50A66-743, 50M56U-843	Furnace Ctl.	Lennox
30W2501	50M56X-843, 50A66-743, 50M56U-843	Furnace Ctl.	Lennox
30W33	50D50-801	Ign. Module	Lennox
30W3301	50D50-801	Ign. Module	Lennox
30W87	47D01U-843	Defrost Ctl.	Lennox
30W8701	47D01U-843	Defrost Ctl.	Lennox
3100-10Q1999	49M11-843	Contactora	Tyco
3100-10Q2999	49M11-843	Contactora	Tyco
3100-15Q1999	49M11-843	Contactora	Tyco
3100-15Q2999	49M11-843	Contactora	Tyco
3100-20Q3999	49M11-843	Contactora	Tyco
3100-20Q5999	49M11-843	Contactora	Tyco
3100-20Q6999	49M11-843	Contactora	Tyco
3100Y10Q1999	49M11-843	Contactora	Tyco
3100Y10Q2999	49M11-843	Contactora	Tyco
3100Y15Q1999	49M11-843	Contactora	Tyco
3100Y15Q2999	49M11-843	Contactora	Tyco
3100Y20Q3999	49M11-843	Contactora	Tyco
3100Y20Q5999	49M11-843	Contactora	Tyco
3100Y20Q6999	49M11-843	Contactora	Tyco

# CROSS REFERENCE

PART REPLACING	SUGGESTED REPLACEMENT(S)	PRODUCT CATEGORY	COMPANY NAME
3101140002	50M56X-843, 50M56U-843	Furnace Ctl.	York
3101237000	50F06-843	Fan Blower Ctl.	York
3101250000	50M56X-843, 50M56U-843	Furnace Ctl.	York
3101973000	50M56X-843, 50M56U-843	Furnace Ctl.	York
3102959000	50F06-843	Fan Blower Ctl.	York
31331	790-843A1, 790-843A5PK	Flame Sensor	Blodgett
31742	36H65-401	Gas Valve	Blodgett
31L3701	36H33-412	Gas Valve	Lennox
31L6201	21D64-44	Ignitor	Lennox
31L71	790-843A1, 790-843A5PK	Flame Sensor	Lennox
3200580	767A-374	Ignitor	Mor-Flo
3200618	767A-371, 21D64-2	Ignitor	Mor-Flo
3210401	767A-374	Ignitor	Mor-Flo
3224581	36C03A-410	Gas Valve	Grainger
32312-00	47D01U-843	Defrost Ctl.	Arcoaire
3232140	47D01U-843	Defrost Ctl.	Arcoaire
325-42681-00	50D50U-843	Ign. Module	York
325878-751	50M56U-751	Furnace Ctl.	Carrier
325879-751	21V51D-751	Furnace Ctl.	Carrier
3260618	21D64-44	Ignitor	Integra
327270-000	36H32-304	Gas Valve	AO Smith
327270-001	36H32-423	Gas Valve	AO Smith
32M88	50M56X-843, 50A65-843, 50M56U-843	Furnace Ctl.	Lennox
32M8801	50M56X-843, 50A65-843, 50M56U-843	Furnace Ctl.	Lennox
33-04-011	764-742	Gas Valve	CFM Home Prod.
33-04-050	764-742	Gas Valve	CFM Home Prod.
331-01098-003	47D01U-843	Defrost Ctl.	York
331-01098-703	47D01U-843	Defrost Ctl.	York
33101237000	50F06-843	Fan Blower Ctl.	York
331-01237-000	50F06-843	Fan Blower Ctl.	York
331-01933-000	50M56X-843, 50M56U-843	Furnace Ctl.	York
331-01972-000	50M56X-843, 50M56U-843	Furnace Ctl.	York
33101972200	50M56X-843, 50M56U-843	Furnace Ctl.	York
331-01972-200	50M56X-843, 50M56U-843	Furnace Ctl.	York
331-01975-001	47D01U-843	Defrost Ctl.	York
331-01975-102	47D01U-843	Defrost Ctl.	York
33102956000	50M56X-843, 50A56-956, 50M56U-843	Furnace Ctl.	York
331-03010-000	50M56X-843, 50M56U-843	Furnace Ctl.	York
331-09139-000	47D01U-843	Defrost Ctl.	York
33109167000	50M56X-843, 50A56-956, 50M56U-843	Furnace Ctl.	York
331-09167-000	50M56X-843, 50A56-956, 50M56U-843	Furnace Ctl.	York
331930-751	789A-751KT1	Ignitor	Carrier
332505-751	789A-751KT2	Ignitor	Carrier
333147-751	36J55-214	Gas Valve	White-Rodgers
3399482	3098-156	Flame Sensor	Grainger
33G95	47D01U-843	Defrost Ctl.	Lennox
33G9501	47D01U-843	Defrost Ctl.	Lennox
340039P01	767A-371, 21D64-2	Ignitor	Trane
34003P01	21D64-44	Ignitor	Trane
3401776	25M01A-100	Gas Valve	Whirlpool

PART REPLACING	SUGGESTED REPLACEMENT(S)	PRODUCT CATEGORY	COMPANY NAME
3401784	25M01A-101	Gas Valve	Whirlpool
341062	36H64-463	Gas Valve	York
341063	36H32-423	Gas Valve	York
341073	36J54-214, 36H64-463	Gas Valve	York
34332100	47D01U-843	Defrost Ctl.	Comfortmaker
34332101	47D01U-843	Defrost Ctl.	Comfortmaker
34G66	50D50-801	Ign. Module	Lennox
34G6601	50D50-801	Ign. Module	Lennox
34M63	47D01U-843	Defrost Ctl.	Lennox
34M6301	47D01U-843	Defrost Ctl.	Lennox
350486	50M56X-843, 50A55-843, 50M56U-843	Furnace Ctl.	Thermo Products
350760	50E47U-843, 50E47-843	Ign. Module	Thermo Products
350836	50M56X-843, 50A65-843, 50M56U-843	Furnace Ctl.	Thermo Products
3511-103	764-742	Gas Valve	White-Rodgers
354447-00001	50D50U-843	Ign. Module	Hobart
354447-1	50D50U-843	Ign. Module	Hobart
35-535911-113	50D50U-843	Ign. Module	Fenwal
35-6050601-101	50D50U-843	Ign. Module	Fenwal
35-605500-001	50D50U-843	Ign. Module	Fenwal
35-605500-003	50D50U-843	Ign. Module	Fenwal
35-605500-005	50D50U-843	Ign. Module	Fenwal
35-605501-001	50D50U-843	Ign. Module	Fenwal
35-605501-101	50D50U-843	Ign. Module	Fenwal
35-605505-113	50D50U-843	Ign. Module	Fenwal
35-605505-221	50D50U-843	Ign. Module	Fenwal
35-605506-223	50D50U-843	Ign. Module	Fenwal
35-605506-225	50D50U-843	Ign. Module	Fenwal
35-605506-227	50D50U-843	Ign. Module	Fenwal
35-605511-201	50D50U-843	Ign. Module	Fenwal
35-605600-003	50D50U-843	Ign. Module	Fenwal
35-605600-005	50D50U-843	Ign. Module	Fenwal
35-605600-201	50D50U-843	Ign. Module	Fenwal
35-605601-001	50D50U-843	Ign. Module	Fenwal
35-605601-003	50D50U-843	Ign. Module	Fenwal
35-605601-005	50D50U-843	Ign. Module	Fenwal
35-605601-007	50D50U-843	Ign. Module	Fenwal
35-605601-101	50D50U-843	Ign. Module	Fenwal
35-605601-103	50D50U-843	Ign. Module	Fenwal
35-605601-105	50D50U-843	Ign. Module	Fenwal
35-605601-201	50D50U-843	Ign. Module	Fenwal
35-605601-203	50D50U-843	Ign. Module	Fenwal
35-605601-205	50D50U-843	Ign. Module	Fenwal
35-605601-207	50D50U-843	Ign. Module	Fenwal
35-605605-111	50D50U-843	Ign. Module	Fenwal
35-605605-113	50D50U-843	Ign. Module	Fenwal
35-605605-115	50D50U-843	Ign. Module	Fenwal
35-605606-015	50D50U-843	Ign. Module	Fenwal
35-605606-111	50D50U-843	Ign. Module	Fenwal
35-605606-113	50D50U-843	Ign. Module	Fenwal
35-605606-115	50D50U-843	Ign. Module	Fenwal
35-605606-221	50D50U-843	Ign. Module	Fenwal
35-605606-223	50D50U-843	Ign. Module	Fenwal
35-605606-225	50D50U-843	Ign. Module	Fenwal

## CROSS REFERENCE

PART REPLACING	SUGGESTED REPLACEMENT(S)	PRODUCT CATEGORY	COMPANY NAME
35-605606-227	50D50U-843	Ign. Module	Fenwal
35-605611-003	50D50U-843	Ign. Module	Fenwal
35-605611-005	50D50U-843	Ign. Module	Fenwal
35-605611-103	50D50U-843	Ign. Module	Fenwal
35-605611-113	50D50U-843	Ign. Module	Fenwal
35-605611-201	50D50U-843	Ign. Module	Fenwal
35-605616-111	50D50U-843	Ign. Module	Fenwal
35-605620-005	50D50U-843	Ign. Module	Fenwal
35-605621-005	50D50U-843	Ign. Module	Fenwal
35-605626-221	50D50U-843	Ign. Module	Fenwal
35-605626-223	50D50U-843	Ign. Module	Fenwal
35-605630-101	50D50U-843	Ign. Module	Fenwal
35-605631-003	50D50U-843	Ign. Module	Fenwal
35-605631-101	50D50U-843	Ign. Module	Fenwal
35-605635-113	50D50U-843	Ign. Module	Fenwal
35-60590-000	50D50U-843	Ign. Module	Fenwal
35-605903-223	50D50U-843	Ign. Module	Fenwal
35-605906-115	50D50U-843	Ign. Module	Fenwal
35-605907-113	50D50U-843	Ign. Module	Fenwal
35-605908-113	50D50U-843	Ign. Module	Fenwal
35-605912-553	50D50U-843	Ign. Module	Fenwal
35-605918-113	50D50U-843	Ign. Module	Fenwal
35-605919-113	50D50U-843	Ign. Module	Fenwal
35-605924-113	50D50U-843	Ign. Module	Fenwal
35-605939-337	50D50U-843	Ign. Module	Fenwal
35-605942-013	50D50U-843	Ign. Module	Fenwal
35-605950-015	50D50U-843	Ign. Module	Fenwal
35-605959-223	50D50U-843	Ign. Module	Fenwal
35-605967-003	50D50U-843	Ign. Module	Fenwal
35-6087D1-004	50D50U-843	Ign. Module	Fenwal
35-60J106-021	50D50U-843	Ign. Module	Fenwal
35-60J106-224	50D50U-843	Ign. Module	Fenwal
35-615221-001	50D50U-843	Ign. Module	Fenwal
35-615506-223	50D50U-843	Ign. Module	Fenwal
35-615516-111	50D50U-843	Ign. Module	Fenwal
35-615526-115	50D50U-843	Ign. Module	Fenwal
35-615526-223	50D50U-843	Ign. Module	Fenwal
35-615526-227	50D50U-843	Ign. Module	Fenwal
35-615800-227	50D50U-843	Ign. Module	Fenwal
35-615908-223	50D50U-843	Ign. Module	Fenwal
35-615910-225	50D50U-843	Ign. Module	Fenwal
35-615922-125	50D50U-843	Ign. Module	Fenwal
35-615926-203	50D50U-843	Ign. Module	Fenwal
35-615929-103	50D50U-843	Ign. Module	Fenwal
35-615939-551	50D50U-843	Ign. Module	Fenwal
35-615943-921	50D50U-843	Ign. Module	Fenwal
35-630200-007	50D50U-843	Ign. Module	Fenwal
35-630201-005	50D50U-843	Ign. Module	Fenwal
35-630501-007	50D50U-843	Ign. Module	Fenwal
35-630501-103	50D50U-843	Ign. Module	Fenwal
35-630901-017	50D50U-843	Ign. Module	Fenwal
35-630906-229	50D50U-843	Ign. Module	Fenwal
35-63J101-015	50D50U-843	Ign. Module	Fenwal
35-63J101-415	50D50U-843	Ign. Module	Fenwal
35-63J103-117	50D50U-843	Ign. Module	Fenwal

PART REPLACING	SUGGESTED REPLACEMENT(S)	PRODUCT CATEGORY	COMPANY NAME
35-63J900-415	50D50U-843	Ign. Module	Fenwal
35-652313-112	50E47U-843	Ign. Module	Fenwal
35-652500-001	50E47U-843	Ign. Module	Fenwal
35-652500-101	50E47U-843	Ign. Module	Fenwal
35-652505-003	50E47U-843	Ign. Module	Fenwal
35-652929-113	50E47U-843	Ign. Module	Fenwal
35-652933-115	50E47U-843	Ign. Module	Fenwal
35-655005-011	50E47U-843	Ign. Module	Fenwal
35-655005-013	50E47U-843	Ign. Module	Fenwal
35-655005-023	50E47U-843	Ign. Module	Fenwal
35-655005-211	50E47U-843	Ign. Module	Fenwal
35-655006-011	50E47U-843	Ign. Module	Fenwal
35-655205-011	50E47U-843	Ign. Module	Fenwal
35-655205-013	50E47U-843	Ign. Module	Fenwal
35-655205-113	50E47U-843	Ign. Module	Fenwal
35-655300-013	50E47U-843	Ign. Module	Fenwal
35-655309-121	50E47U-843	Ign. Module	Fenwal
35-655311-005	50E47U-843	Ign. Module	Fenwal
35-655312-021	50E47U-843	Ign. Module	Fenwal
35-655500-001	50E47U-843	Ign. Module	Fenwal
35-655500-105	50E47U-843	Ign. Module	Fenwal
35-655505-011	50E47U-843	Ign. Module	Fenwal
35-655505-023	50E47U-843	Ign. Module	Fenwal
35-655525-013	50E47U-843	Ign. Module	Fenwal
35-655525-015	50E47U-843	Ign. Module	Fenwal
35-655525-017	50E47U-843	Ign. Module	Fenwal
35-655525-111	50E47U-843	Ign. Module	Fenwal
35-655525-113	50E47U-843	Ign. Module	Fenwal
35-655600-003	50E47U-843	Ign. Module	Fenwal
35-655600-005	50E47U-843	Ign. Module	Fenwal
35-655600-007	50E47U-843	Ign. Module	Fenwal
35-655601-003	50E47U-843	Ign. Module	Fenwal
35-655601-013	50E47U-843	Ign. Module	Fenwal
35-655605-001	50E47U-843	Ign. Module	Fenwal
35-655605-003	50E47U-843	Ign. Module	Fenwal
35-655605-005	50E47U-843	Ign. Module	Fenwal
35-655605-007	50E47U-843	Ign. Module	Fenwal
35-655605-011	50E47U-843	Ign. Module	Fenwal
35-655605-013	50E47U-843	Ign. Module	Fenwal
35-655605-015	50E47U-843	Ign. Module	Fenwal
35-655615-003	50E47U-843	Ign. Module	Fenwal
35-655620-001	50E47U-843	Ign. Module	Fenwal
35-655620-003	50E47U-843	Ign. Module	Fenwal
35-655625-003	50E47U-843	Ign. Module	Fenwal
35-655625-005	50E47U-843	Ign. Module	Fenwal
35-655625-007	50E47U-843	Ign. Module	Fenwal
35-655700-001	50E47U-843	Ign. Module	Fenwal
35-655700-003	50E47U-843	Ign. Module	Fenwal
35-655700-103	50E47U-843	Ign. Module	Fenwal
35-655700-105	50E47U-843	Ign. Module	Fenwal
35-655700-201	50E47U-843	Ign. Module	Fenwal
35-655705-001	50E47U-843	Ign. Module	Fenwal
35-655705-003	50E47U-843	Ign. Module	Fenwal
35-655705-005	50E47U-843	Ign. Module	Fenwal
35-655705-007	50E47U-843	Ign. Module	Fenwal

## CROSS REFERENCE

PART REPLACING	SUGGESTED REPLACEMENT(S)	PRODUCT CATEGORY	COMPANY NAME
35-655705-013	50E47U-843	Ign. Module	Fenwal
35-655705-111	50E47U-843	Ign. Module	Fenwal
35-655705-113	50E47U-843	Ign. Module	Fenwal
35-655705-203	50E47U-843	Ign. Module	Fenwal
35-655706-017	50E47U-843	Ign. Module	Fenwal
35-655706-021	50E47U-843	Ign. Module	Fenwal
35-655750-003	50E47U-843	Ign. Module	Fenwal
35-655800-003	50E47U-843	Ign. Module	Fenwal
35-655801-013	50E47U-843	Ign. Module	Fenwal
35-655802-007	50E47U-843	Ign. Module	Fenwal
35-655903-011	50E47U-843	Ign. Module	Fenwal
35-655904-013	50E47U-843	Ign. Module	Fenwal
35-655905-211	50E47U-843	Ign. Module	Fenwal
35-655907-011	50E47U-843	Ign. Module	Fenwal
35-655908-003	50E47U-843	Ign. Module	Fenwal
35-655909-002	50E47U-843	Ign. Module	Fenwal
35-655910-991	50E47U-843	Ign. Module	Fenwal
35-655913-011	50E47U-843	Ign. Module	Fenwal
35-655915-111	50E47U-843	Ign. Module	Fenwal
35-655921-001	50E47U-843	Ign. Module	Fenwal
35-655922-001	50E47U-843	Ign. Module	Fenwal
35-655927-001	50E47U-843	Ign. Module	Fenwal
35-655928-005	50E47U-843	Ign. Module	Fenwal
35-655930-001	50E47U-843	Ign. Module	Fenwal
35-655931-021	50E47U-843	Ign. Module	Fenwal
356589-2	50D50U-843	Ign. Module	Vulcan Hart
35-662301-111	50E47U-843	Ign. Module	Fenwal
35-662615-001	50E47U-843	Ign. Module	Fenwal
35-662903-003	50E47U-843	Ign. Module	Fenwal
35-662944-013	50E47U-843	Ign. Module	Fenwal
35-663903-111	50E47U-843	Ign. Module	Fenwal
35-663904-113	50E47U-843	Ign. Module	Fenwal
35-665036-111	50E47U-843	Ign. Module	Fenwal
35-665225-121	50E47U-843	Ign. Module	Fenwal
35-665535-011	50E47U-843	Ign. Module	Fenwal
35-665535-113	50E47U-843	Ign. Module	Fenwal
35-665575-111	50E47U-843	Ign. Module	Fenwal
35-665576-111	50E47U-843	Ign. Module	Fenwal
35-665585-225	50E47U-843	Ign. Module	Fenwal
35-665666-001	50E47U-843	Ign. Module	Fenwal
35-665676-223	50E47U-843	Ign. Module	Fenwal
35-665721-101	50E47U-843	Ign. Module	Fenwal
35-665725-121	50E47U-843	Ign. Module	Fenwal
35-665902-011	50E47U-843	Ign. Module	Fenwal
35-665904-225	50E47U-843	Ign. Module	Fenwal
35-665905-111	50E47U-843	Ign. Module	Fenwal
35-665913-119	50E47U-843	Ign. Module	Fenwal
35-665936-111	50E47U-843	Ign. Module	Fenwal
35-665938-215	50E47U-843	Ign. Module	Fenwal
35-665942-113	50E47U-843	Ign. Module	Fenwal
3591-1306	50E47U-843, 50E47-843	Ign. Module	Hired Hand
3601-124	36C03-333	Gas Valve	White-Rodgers
3601-128	36C03-333	Gas Valve	White-Rodgers
3601-188	36C03-333	Gas Valve	White-Rodgers
3601-208	36C03-333	Gas Valve	White-Rodgers

PART REPLACING	SUGGESTED REPLACEMENT(S)	PRODUCT CATEGORY	COMPANY NAME
3601-228	36C03-333	Gas Valve	White-Rodgers
3601-248	36C03-333	Gas Valve	White-Rodgers
3601-288	36C03-333	Gas Valve	White-Rodgers
3601-404	36C03-333	Gas Valve	White-Rodgers
3601-424	36C03-333	Gas Valve	White-Rodgers
3601-426	36C03-333	Gas Valve	White-Rodgers
3601-428	36C03-333	Gas Valve	White-Rodgers
3601-486	36C03-333	Gas Valve	White-Rodgers
3601-488	36C03-333	Gas Valve	White-Rodgers
3601-505	36C03-333	Gas Valve	White-Rodgers
3601-508	36C03-333	Gas Valve	White-Rodgers
3601-528	36C03-333	Gas Valve	White-Rodgers
3601-584	36C03-333	Gas Valve	White-Rodgers
3601-588	36C03-333	Gas Valve	White-Rodgers
3601A-305	36C03A-410	Gas Valve	White-Rodgers
3601A-325	36C03A-410	Gas Valve	White-Rodgers
3601A-329	36C03A-410	Gas Valve	White-Rodgers
3601A-605	36C03A-410	Gas Valve	White-Rodgers
3601A-625	36C03A-410	Gas Valve	White-Rodgers
3601A-685	36C03A-410	Gas Valve	White-Rodgers
3602-124	36C03-333	Gas Valve	White-Rodgers
3602-128	36C03-333	Gas Valve	White-Rodgers
3602-208	36C03-333	Gas Valve	White-Rodgers
3602-224	36C03-333	Gas Valve	White-Rodgers
3602-228	36C03-333	Gas Valve	White-Rodgers
3602-584	36C03-333	Gas Valve	White-Rodgers
3603-208	36C03-333	Gas Valve	White-Rodgers
3603-228	36C03-333	Gas Valve	White-Rodgers
3604-118	36C03-333	Gas Valve	White-Rodgers
3604-228	36C03-333	Gas Valve	White-Rodgers
3604-404	36C03-333	Gas Valve	White-Rodgers
3604-408	36C03-333	Gas Valve	White-Rodgers
3604-428	36C03-333	Gas Valve	White-Rodgers
3604-484	36C03-333	Gas Valve	White-Rodgers
3604-518	36C03-333	Gas Valve	White-Rodgers
3604-528	36C03-333	Gas Valve	White-Rodgers
3605-925	36C03-333	Gas Valve	White-Rodgers
3606-128	36C03-333	Gas Valve	White-Rodgers
3606-188	36C03-333	Gas Valve	White-Rodgers
3606-228	36C03-333	Gas Valve	White-Rodgers
3606-486	36C03-333	Gas Valve	White-Rodgers
3606-488	36C03-333	Gas Valve	White-Rodgers
3606-528	36C03-333	Gas Valve	White-Rodgers
3606A-329	36C03A-410	Gas Valve	White-Rodgers
36326B001	47D01U-843	Defrost Ctl.	Lennox
3641-228	36C03-333	Gas Valve	White-Rodgers
3641-428	36C03-333	Gas Valve	White-Rodgers
3644-118	36C03-333	Gas Valve	White-Rodgers
3644U-228	36C03U-333	Gas Valve	White-Rodgers
3646-428	36C03-333	Gas Valve	White-Rodgers
36607	36J54-214	Gas Valve	Blodgett
3661-128	36C03-333	Gas Valve	White-Rodgers
3661-28	36C03-333	Gas Valve	White-Rodgers
3661-288	36C03-333	Gas Valve	White-Rodgers
3661-428	36C03-333	Gas Valve	White-Rodgers

## CROSS REFERENCE

PART REPLACING	SUGGESTED REPLACEMENT(S)	PRODUCT CATEGORY	COMPANY NAME
3661-488	36C03-333	Gas Valve	White-Rodgers
3661-505	36C03-333	Gas Valve	White-Rodgers
3661-506	36C03-333	Gas Valve	White-Rodgers
3661-583	36C03-333	Gas Valve	White-Rodgers
3661-584	36C03-333	Gas Valve	White-Rodgers
3661-588	36C03-333	Gas Valve	White-Rodgers
3661-628	36C03-333	Gas Valve	White-Rodgers
3661-688	36C03-333	Gas Valve	White-Rodgers
3661-82	36C03-333	Gas Valve	White-Rodgers
3661-83	36C03-333	Gas Valve	White-Rodgers
3661-86	36C03-333	Gas Valve	White-Rodgers
3661A-625	36C03A-410	Gas Valve	White-Rodgers
3661A-626	36C03A-410	Gas Valve	White-Rodgers
3661A-629	36C03A-410	Gas Valve	White-Rodgers
3661A-685	36C03A-410	Gas Valve	White-Rodgers
3661A-686	36C03A-410	Gas Valve	White-Rodgers
3661U-228	36C03U-333	Gas Valve	White-Rodgers
3661U-288	36C03U-333	Gas Valve	White-Rodgers
3661U-508	36C03U-333	Gas Valve	White-Rodgers
3661U-528	36C03U-333	Gas Valve	White-Rodgers
3661U-588	36C03U-333	Gas Valve	White-Rodgers
3662-584	36C03-333	Gas Valve	White-Rodgers
3666-128	36C03-333	Gas Valve	White-Rodgers
3666-404	36C03-333	Gas Valve	White-Rodgers
3666-428	36C03-333	Gas Valve	White-Rodgers
3666-488	36C03-333	Gas Valve	White-Rodgers
3666-506	36C03-333	Gas Valve	White-Rodgers
3666-584	36C03-333	Gas Valve	White-Rodgers
3666-588	36C03-333	Gas Valve	White-Rodgers
3666-83	36C03-333	Gas Valve	White-Rodgers
3666-86	36C03-333	Gas Valve	White-Rodgers
3666A-629	36C03A-410	Gas Valve	White-Rodgers
3666U-228	36C03U-333	Gas Valve	White-Rodgers
3666U-288	36C03U-333	Gas Valve	White-Rodgers
369393	50D50U-843	Ign. Module	Lincoln Food
369532	50E47U-843	Ign. Module	Lincoln
36C01A-201	36C01A-405	Gas Valve	White-Rodgers
36C01A-202	36C01A-405	Gas Valve	White-Rodgers
36C01A-206	36C01A-405	Gas Valve	White-Rodgers
36C01A-210	36C01A-405	Gas Valve	White-Rodgers
36C01A-212	36C01A-405	Gas Valve	White-Rodgers
36C01A-283	36C01A-405	Gas Valve	White-Rodgers
36C01A-284	36C01A-405	Gas Valve	White-Rodgers
36C01A-404	36C01A-405	Gas Valve	White-Rodgers
36C01A-405	36C01A-405	Gas Valve	White-Rodgers
36C01A-475	36C01A-405	Gas Valve	White-Rodgers
36C02-176	36C03-333	Gas Valve	White-Rodgers
36C02-200	36C03-333	Gas Valve	White-Rodgers
36C02-201	36C03-333	Gas Valve	White-Rodgers
36C02-202	36C03-333	Gas Valve	White-Rodgers
36C02-203	36C03-333	Gas Valve	White-Rodgers
36C02-278	36C03-333	Gas Valve	White-Rodgers
36C02-279	36C03-333	Gas Valve	White-Rodgers
36C02A-201	36C03A-410	Gas Valve	White-Rodgers
36C02U-102	36C03U-333	Gas Valve	White-Rodgers

PART REPLACING	SUGGESTED REPLACEMENT(S)	PRODUCT CATEGORY	COMPANY NAME
36C03-100	36C03-333	Gas Valve	White-Rodgers
36C03-103	36C03-333	Gas Valve	White-Rodgers
36C03-133	36C03-333	Gas Valve	White-Rodgers
36C03-200	36C03-333	Gas Valve	White-Rodgers
36C03-205	36C03-433	Gas Valve	White-Rodgers
36C03-210	36C03-333	Gas Valve	White-Rodgers
36C03-211	36C03-433	Gas Valve	White-Rodgers
36C03-216	36C03-333	Gas Valve	White-Rodgers
36C03-219	36C03-333	Gas Valve	White-Rodgers
36C03-221	36C03-333	Gas Valve	White-Rodgers
36C03-222	36C03-433	Gas Valve	White-Rodgers
36C03-228	36C03-333	Gas Valve	White-Rodgers
36C03-230	36C03-433	Gas Valve	White-Rodgers
36C03-233	36C03-333	Gas Valve	White-Rodgers
36C03-234	36C03-333	Gas Valve	White-Rodgers
36C03-236	36C03-333	Gas Valve	White-Rodgers
36C03-245	36C03-433	Gas Valve	White-Rodgers
36C03-251	36C03-433	Gas Valve	White-Rodgers
36C03-252	36C03-333	Gas Valve	White-Rodgers
36C03-253	36C03-433	Gas Valve	White-Rodgers
36C03-255	36C03-433	Gas Valve	White-Rodgers
36C03-258	36C03-433	Gas Valve	White-Rodgers
36C03-263	36C03-333	Gas Valve	White-Rodgers
36C03-264	36C03-433	Gas Valve	White-Rodgers
36C03-267	36C03-333	Gas Valve	White-Rodgers
36C03-283	36C03-300	Gas Valve	White-Rodgers
36C03-284	36C03-300	Gas Valve	White-Rodgers
36C03-285	36C03-300	Gas Valve	White-Rodgers
36C03-300	36C03-300	Gas Valve	White-Rodgers
36C03-302	36C03-433	Gas Valve	White-Rodgers
36C03-305	36C03-333	Gas Valve	White-Rodgers
36C03-306	36C03-433	Gas Valve	White-Rodgers
36C03-309	36C03-333	Gas Valve	White-Rodgers
36C03-310	36C03-333	Gas Valve	White-Rodgers
36C03-311	36C03-333	Gas Valve	White-Rodgers
36C03-313	36C03-433	Gas Valve	White-Rodgers
36C03-314	36C03-433	Gas Valve	White-Rodgers
36C03-315	36C03-333	Gas Valve	White-Rodgers
36C03-316	36C03-333	Gas Valve	White-Rodgers
36C03-319	36C03-433	Gas Valve	White-Rodgers
36C03-320	36C03-333	Gas Valve	White-Rodgers
36C03-322	36C03-433	Gas Valve	White-Rodgers
36C03-323	36C03-300	Gas Valve	White-Rodgers
36C03-324	36C03-333	Gas Valve	White-Rodgers
36C03-333	36C03-333	Gas Valve	White-Rodgers
36C03-350	36C03-333	Gas Valve	White-Rodgers
36C03-358	36C03-433	Gas Valve	White-Rodgers
36C03-400	36C03-400	Gas Valve	White-Rodgers
36C03-409	36C03-433	Gas Valve	White-Rodgers
36C03-410	36C03-433	Gas Valve	White-Rodgers
36C03-416	36C03-433	Gas Valve	White-Rodgers
36C03-418	36C03-433	Gas Valve	White-Rodgers
36C03-422	36C03-433	Gas Valve	White-Rodgers
36C03-425	36C03-433	Gas Valve	White-Rodgers
36C03-431	36C03-433	Gas Valve	White-Rodgers









## CROSS REFERENCE

PART REPLACING	SUGGESTED REPLACEMENT(S)	PRODUCT CATEGORY	COMPANY NAME
36C76-485	36H64-463	Gas Valve	White-Rodgers
36C76-486	36H64-463	Gas Valve	White-Rodgers
36C76-487	36H64-463	Gas Valve	White-Rodgers
36C76-534	36H64-463	Gas Valve	White-Rodgers
36C76-535	36H64-463	Gas Valve	White-Rodgers
36C76-907	36H64-463	Gas Valve	White-Rodgers
36C76-913	36H64-463	Gas Valve	White-Rodgers
36C76-927	36H64-463	Gas Valve	White-Rodgers
36C76-935	36H64-463	Gas Valve	White-Rodgers
36C76-936	36H64-463	Gas Valve	White-Rodgers
36C76-942	36H64-463	Gas Valve	White-Rodgers
36C76-958	36H64-463	Gas Valve	White-Rodgers
36C76-961	36H64-463	Gas Valve	White-Rodgers
36C76-969	36H64-463	Gas Valve	White-Rodgers
36C76-970	36H64-463	Gas Valve	White-Rodgers
36C76-971	36H64-463	Gas Valve	White-Rodgers
36C76-972	36H64-463	Gas Valve	White-Rodgers
36C76-977	36H64-463	Gas Valve	White-Rodgers
36C76-978	36H64-463	Gas Valve	White-Rodgers
36C76-982	36H64-463	Gas Valve	White-Rodgers
36C76-983	36H64-463	Gas Valve	White-Rodgers
36C76-984	36H64-463	Gas Valve	White-Rodgers
36C76-985	36H64-463	Gas Valve	White-Rodgers
36C78-206	36H32-423	Gas Valve	White-Rodgers
36C78-300	36H32-423	Gas Valve	White-Rodgers
36C81-410	36H33-412	Gas Valve	White-Rodgers
36C81-451	36H33-412	Gas Valve	White-Rodgers
36C84-201	36C84-912	Gas Valve	White-Rodgers
36C84-206	36C84-912	Gas Valve	White-Rodgers
36C84-209	36C84-912	Gas Valve	White-Rodgers
36C84-220	36C84-921	Gas Valve	White-Rodgers
36C84-221	36C84-921	Gas Valve	White-Rodgers
36C84-222	36C84-921	Gas Valve	White-Rodgers
36C84-231	36C84-921	Gas Valve	White-Rodgers
36C84-235	36C84-923	Gas Valve	White-Rodgers
36C84-240	36C84-945	Gas Valve	White-Rodgers
36C84-252	36C84-945	Gas Valve	White-Rodgers
36C84-253	36C84-945	Gas Valve	White-Rodgers
36C84-255	36C84-945	Gas Valve	White-Rodgers
36C84-257	36C84-945	Gas Valve	White-Rodgers
36C84-258	36C84-912	Gas Valve	White-Rodgers
36C84-270	36C84-926	Gas Valve	White-Rodgers
36C84-304	36C84-912	Gas Valve	White-Rodgers
36C84-308	36C84-912	Gas Valve	White-Rodgers
36C84-312	36C84-921	Gas Valve	White-Rodgers
36C84-313	36C84-912	Gas Valve	White-Rodgers
36C84-317	36C84-921	Gas Valve	White-Rodgers
36C84-319	36C84-912	Gas Valve	White-Rodgers
36C84-330	36C84-921	Gas Valve	White-Rodgers
36C84-340	36C84-945	Gas Valve	White-Rodgers
36C84-346	36C84-945	Gas Valve	White-Rodgers
36C84-353	36C84-921	Gas Valve	White-Rodgers
36C84-401	36C84-912	Gas Valve	White-Rodgers
36C84-405	36C84-912	Gas Valve	White-Rodgers
36C84-406	36C84-912	Gas Valve	White-Rodgers

PART REPLACING	SUGGESTED REPLACEMENT(S)	PRODUCT CATEGORY	COMPANY NAME
36C84-410	36C84-912	Gas Valve	White-Rodgers
36C84-412	36C84-912	Gas Valve	White-Rodgers
36C84-414	36C84-912	Gas Valve	White-Rodgers
36C84-418	36C84-921	Gas Valve	White-Rodgers
36C84-421	36C84-921	Gas Valve	White-Rodgers
36C84-423	36C84-923	Gas Valve	White-Rodgers
36C84-424	36C84-912	Gas Valve	White-Rodgers
36C84-425	36C84-912	Gas Valve	White-Rodgers
36C84-426	36C84-926	Gas Valve	White-Rodgers
36C84-440	36C84-945	Gas Valve	White-Rodgers
36C84-441	36C84-945	Gas Valve	White-Rodgers
36C84-443	36C84-945	Gas Valve	White-Rodgers
36C84-445	36C84-945	Gas Valve	White-Rodgers
36C84-450	36C84-945	Gas Valve	White-Rodgers
36C84-912	36C84-912	Gas Valve	White-Rodgers
36C84-921	36C84-921	Gas Valve	White-Rodgers
36C84-923	36C84-923	Gas Valve	White-Rodgers
36C84-926	36C84-926	Gas Valve	White-Rodgers
36C84-945	36C84-945	Gas Valve	White-Rodgers
36C85-240	36C84-945	Gas Valve	White-Rodgers
36C90-213	36H32-423	Gas Valve	White-Rodgers
36C90-215	36H32-423	Gas Valve	White-Rodgers
36C90-406	36H32-423	Gas Valve	White-Rodgers
36C90-407	36H32-423	Gas Valve	White-Rodgers
36C90-408	36H32-423	Gas Valve	White-Rodgers
36C94-201	36C94-906	Gas Valve	White-Rodgers
36C94-204	36C94-906	Gas Valve	White-Rodgers
36C94-302	36C94-303	Gas Valve	White-Rodgers
36C94-303	36C94-303	Gas Valve	White-Rodgers
36C94-406	36C94-906	Gas Valve	White-Rodgers
36C94-906	36C94-906	Gas Valve	White-Rodgers
36C96-203	36C84-912	Gas Valve	White-Rodgers
36C96-206	36C84-912	Gas Valve	White-Rodgers
36C96-301	36C84-912	Gas Valve	White-Rodgers
36C96-441	36C84-912	Gas Valve	White-Rodgers
36E01-253	36H32-214, 36H32-304	Gas Valve	White-Rodgers
36E01-103	36H32-214, 36H32-304	Gas Valve	White-Rodgers
36E01-105	36H32-214, 36H32-304	Gas Valve	White-Rodgers
36E01-106	36H32-214, 36H32-304	Gas Valve	White-Rodgers
36E01-201	36H32-214, 36H32-304	Gas Valve	White-Rodgers
36E01-204	36H32-214, 36H32-304	Gas Valve	White-Rodgers
36E01-205	36H32-214, 36H32-304	Gas Valve	White-Rodgers
36E01-206	36H32-214, 36H32-304	Gas Valve	White-Rodgers
36E01-210	36H32-214, 36H32-304	Gas Valve	White-Rodgers
36E01-211	36H32-214, 36H32-304	Gas Valve	White-Rodgers
36E01-221	36H32-214, 36H32-304	Gas Valve	White-Rodgers
36E01-222	36H32-214, 36H32-304	Gas Valve	White-Rodgers
36E01-223	36H32-214, 36H32-304	Gas Valve	White-Rodgers
36E01-225	36H32-214, 36H32-304	Gas Valve	White-Rodgers
36E01-226	36H32-214, 36J22-214, 36H32-304	Gas Valve	White-Rodgers
36E01-227	36H32-214, 36H32-304	Gas Valve	White-Rodgers
36E01-233	36H32-214, 36H32-304	Gas Valve	White-Rodgers
36E01-234	36H32-214, 36H32-304	Gas Valve	White-Rodgers
36E01-235	36H32-214, 36H32-304	Gas Valve	White-Rodgers
36E01-236	36H32-214, 36H32-304	Gas Valve	White-Rodgers







## CROSS REFERENCE

PART REPLACING	SUGGESTED REPLACEMENT(S)	PRODUCT CATEGORY	COMPANY NAME
36E55-221	36J55-214	Gas Valve	White-Rodgers
36E55-222	36J55-214	Gas Valve	White-Rodgers
36E55-223	36J55-214	Gas Valve	White-Rodgers
36E55-224	36J55-214	Gas Valve	White-Rodgers
36E55-254	36J55-214	Gas Valve	White-Rodgers
36E87-204	36C94-906	Gas Valve	White-Rodgers
36E92-201	36H33-412	Gas Valve	White-Rodgers
36E93-301	36C94-303	Gas Valve	White-Rodgers
36E93-302	36C94-303	Gas Valve	White-Rodgers
36E93-303	36C94-303	Gas Valve	White-Rodgers
36E93-304	36C94-303	Gas Valve	White-Rodgers
36E96-1	36J54-214	Gas Valve	White-Rodgers
36E96-2	36J54-214	Gas Valve	White-Rodgers
36E96-201	36H64-463	Gas Valve	White-Rodgers
36E96-205	36H64-463	Gas Valve	White-Rodgers
36E96-206	36H64-463	Gas Valve	White-Rodgers
36E96-215	36J54-214	Gas Valve	White-Rodgers
36E96-216	36J54-214	Gas Valve	White-Rodgers
36E96-217	36J54-214	Gas Valve	White-Rodgers
36E96-218	36J54-214	Gas Valve	White-Rodgers
36E96-219	36J54-214	Gas Valve	White-Rodgers
36E96-220	36J55-214	Gas Valve	White-Rodgers
36E96-221	36J55-214	Gas Valve	White-Rodgers
36E96-222	36J54-214	Gas Valve	White-Rodgers
36E96-223	36J54-214	Gas Valve	White-Rodgers
36E96-224	36H64-463	Gas Valve	White-Rodgers
36E96-225	36J55-214	Gas Valve	White-Rodgers
36E96-226	36J54-214	Gas Valve	White-Rodgers
36E96-227	36H65-401	Gas Valve	White-Rodgers
36E96-228	36J54-214	Gas Valve	White-Rodgers
36E96-229	36J54-214	Gas Valve	White-Rodgers
36E96-231	36H65-401	Gas Valve	White-Rodgers
36E96-232	36J54-214	Gas Valve	White-Rodgers
36E96-233	36J54-214	Gas Valve	White-Rodgers
36E96-234	36H65-401	Gas Valve	White-Rodgers
36E96-235	36J54-214	Gas Valve	White-Rodgers
36E96-238	36H65-401	Gas Valve	White-Rodgers
36E96-240	36J54-214, 36H64-463	Gas Valve	White-Rodgers
36E96-244	36J54-214	Gas Valve	White-Rodgers
36E96-245	36J54-214	Gas Valve	White-Rodgers
36E96-247	36J54-214, 36H64-463	Gas Valve	White-Rodgers
36E96-249	36J54-214	Gas Valve	White-Rodgers
36E96-250	36J54-214	Gas Valve	White-Rodgers
36E96-254	36J54-214, 36H64-463	Gas Valve	White-Rodgers
36E96-255	36J54-214	Gas Valve	White-Rodgers
36E96-256	36J54-214	Gas Valve	White-Rodgers
36E96-257	36H65-401	Gas Valve	White-Rodgers
36E96-258	36J54-214	Gas Valve	White-Rodgers
36E96-259	36J54-214, 36H64-463	Gas Valve	White-Rodgers
36E96-260	36J54-214, 36H64-463	Gas Valve	White-Rodgers
36E96-261	36J54-214	Gas Valve	White-Rodgers
36E96-301	36H64-463	Gas Valve	White-Rodgers
36E96-302	36H64-463	Gas Valve	White-Rodgers
36E96-303	36H64-463	Gas Valve	White-Rodgers
36E96-304	36H64-463	Gas Valve	White-Rodgers

PART REPLACING	SUGGESTED REPLACEMENT(S)	PRODUCT CATEGORY	COMPANY NAME
36E96-305	36H64-463	Gas Valve	White-Rodgers
36E96-314	36H65-401	Gas Valve	White-Rodgers
36E97-201	36J24-214	Gas Valve	White-Rodgers
36E97-203	36J24-214	Gas Valve	White-Rodgers
36E97-204	36J24-214	Gas Valve	White-Rodgers
36E97-205	36J24-214	Gas Valve	White-Rodgers
36E97-206	36J24-214	Gas Valve	White-Rodgers
36E98-201	36H33-412	Gas Valve	White-Rodgers
36E98-202	36H33-412	Gas Valve	White-Rodgers
36E98-203	36J24-214	Gas Valve	White-Rodgers
36E98-204	36H33-412	Gas Valve	White-Rodgers
36E98-205	36J24-214	Gas Valve	White-Rodgers
36E98-206	36H33-412	Gas Valve	White-Rodgers
36E98-207	36J24-214	Gas Valve	White-Rodgers
36E98-208	36J24-214	Gas Valve	White-Rodgers
36E98-209	36J24-214	Gas Valve	White-Rodgers
36E98-210	36J24-214	Gas Valve	White-Rodgers
36E98-301	36H33-412	Gas Valve	White-Rodgers
36E98-304	36H33-412	Gas Valve	White-Rodgers
36E99-201	36J55-214	Gas Valve	White-Rodgers
36E99-202	36J55-214	Gas Valve	White-Rodgers
36E99-203	36J55-214	Gas Valve	White-Rodgers
36E99-245	36J55-214	Gas Valve	White-Rodgers
36E99-246	36J55-214	Gas Valve	White-Rodgers
36E99-254	36J55-214	Gas Valve	White-Rodgers
36E99-258	36J55-214	Gas Valve	White-Rodgers
36F22-202	36J22-214	Gas Valve	White-Rodgers
36F22-203	36J22-214	Gas Valve	White-Rodgers
36F22-209	36J22-214	Gas Valve	White-Rodgers
36F22-210	36J22-214, 36H32-423	Gas Valve	White-Rodgers
36F22-213	36J22-214	Gas Valve	White-Rodgers
36F22-215	36J22-214	Gas Valve	White-Rodgers
36F22-216	36J22-214	Gas Valve	White-Rodgers
36F23-202	36J24-214	Gas Valve	White-Rodgers
36F24-205	36J24-214	Gas Valve	White-Rodgers
36F24-206	36J24-214	Gas Valve	White-Rodgers
36F24-207	36J24-214	Gas Valve	White-Rodgers
36F24-209	36J24-214	Gas Valve	White-Rodgers
36F24-210	36J24-214	Gas Valve	White-Rodgers
36F24-211	36J24-214	Gas Valve	White-Rodgers
36F52-204	36J24-214	Gas Valve	White-Rodgers
36G22-202	36G22-254	Gas Valve	White-Rodgers
36G22-203	36G22-254	Gas Valve	White-Rodgers
36G22-204	36G22-254	Gas Valve	White-Rodgers
36G22-205	36G22-254	Gas Valve	White-Rodgers
36G22-206	36G22-254	Gas Valve	White-Rodgers
36G22-207	36G22-254, 36H32-423	Gas Valve	White-Rodgers
36G22-208	36G22-254	Gas Valve	White-Rodgers
36G22-209	36G22-254	Gas Valve	White-Rodgers
36G22-210	36G22-254	Gas Valve	White-Rodgers
36G22-211	36G22-254	Gas Valve	White-Rodgers
36G22-212	36G22-254	Gas Valve	White-Rodgers
36G22-213	36G22-254	Gas Valve	White-Rodgers
36G22-214	36G22-254, 36H32-423	Gas Valve	White-Rodgers
36G22-216	36G22-254	Gas Valve	White-Rodgers

## CROSS REFERENCE

PART REPLACING	SUGGESTED REPLACEMENT(S)	PRODUCT CATEGORY	COMPANY NAME
36G22-217	36G22-254	Gas Valve	White-Rodgers
36G22-218	36G22-254	Gas Valve	White-Rodgers
36G22-220	36G22-254	Gas Valve	White-Rodgers
36G22-221	36G22-254	Gas Valve	White-Rodgers
36G22-223	36G22-254	Gas Valve	White-Rodgers
36G22-235	36G22-254	Gas Valve	White-Rodgers
36G22-236	36G22-254	Gas Valve	White-Rodgers
36G22-238	36G22-254	Gas Valve	LB White
36G22-240	36G22-254	Gas Valve	Lennox
36G22-241	36G22-254	Gas Valve	Lennox
36G22-254	36G22-254	Gas Valve	White-Rodgers
36G22-254B1	36G22-254	Gas Valve	White-Rodgers
36G22-257	36G22-254	Gas Valve	White-Rodgers
36G22-280	36G22-254	Gas Valve	Systems Controls
36G22-501	36G22-254	Gas Valve	White-Rodgers
36G22-502	36G22-254	Gas Valve	White-Rodgers
36G22-510	36G22-254	Gas Valve	White-Rodgers
36G22-512	36G22-254	Gas Valve	White-Rodgers
36G22Y-202	36G22-254	Gas Valve	White-Rodgers
36G22Y-203	36G22-254	Gas Valve	White-Rodgers
36G22Y-205	36G22-254	Gas Valve	White-Rodgers
36G22Y-206	36G22-254	Gas Valve	Daikin
36G22Y-217	36G22-254	Gas Valve	White-Rodgers
36G23-202	36j24-214	Gas Valve	White-Rodgers
36G23-502	36j24-214	Gas Valve	White-Rodgers
36G24-201	36j24-214	Gas Valve	White-Rodgers
36G24-205	36j24-214	Gas Valve	White-Rodgers
36G24-206	36j24-214	Gas Valve	White-Rodgers
36G24-207	36j24-214	Gas Valve	White-Rodgers
36G24-209	36j24-214	Gas Valve	White-Rodgers
36G24-210	36j24-214	Gas Valve	White-Rodgers
36G24-211	36j24-214	Gas Valve	White-Rodgers
36G24-214	36j24-214	Gas Valve	White-Rodgers
36G24-216	36j24-214	Gas Valve	Systems Controls
36G24-229	36j24-214	Gas Valve	Lennox
36G24-501	36j24-214	Gas Valve	White-Rodgers
36G24-502	36j24-214	Gas Valve	White-Rodgers
36G24-503	36j24-214	Gas Valve	White-Rodgers
36G24-504	36j24-214	Gas Valve	White-Rodgers
36G24-510	36j24-214	Gas Valve	White-Rodgers
36G24-618	36j24-614	Gas Valve	White-Rodgers
36G24-619	36j24-214	Gas Valve	White-Rodgers
36G24Y-206	36j24-214	Gas Valve	White-Rodgers
36G29-202	36G22-254	Gas Valve	White-Rodgers
36G32-500	36G32-500	Gas Valve	White-Rodgers
36G32-510	36G32-500	Gas Valve	White-Rodgers
36G32-511	36G32-500	Gas Valve	White-Rodgers
36G32-520	36G32-500	Gas Valve	White-Rodgers
36G32-521	36G32-500	Gas Valve	White-Rodgers
36G33-500	36G33-500	Gas Valve	White-Rodgers
36G33-905	50I56D-905	Gas Valve	White-Rodgers
36G52-204	36j24-214	Gas Valve	White-Rodgers
36G52Y-204	36j24-214	Gas Valve	White-Rodgers
36G54 508B1	36j55-214	Gas Valve	White-Rodgers

PART REPLACING	SUGGESTED REPLACEMENT(S)	PRODUCT CATEGORY	COMPANY NAME
36G54-201	36j54-214	Gas Valve	White-Rodgers
36G54-202	36j54-214	Gas Valve	White-Rodgers
36G54-208	36j54-214	Gas Valve	White-Rodgers
36G54-209	36j54-214	Gas Valve	White-Rodgers
36G54-214	36j54-214	Gas Valve	White-Rodgers
36G54-215	36j54-214	Gas Valve	White-Rodgers
36G54-216	36j54-214	Gas Valve	White-Rodgers
36G54-217	36j54-214	Gas Valve	White-Rodgers
36G54-218	36j54-214	Gas Valve	White-Rodgers
36G54-219	36j54-214	Gas Valve	White-Rodgers
36G54-220	36j54-214	Gas Valve	White-Rodgers
36G54-221	36j54-214	Gas Valve	White-Rodgers
36G54-222	36j54-214	Gas Valve	White-Rodgers
36G54-224	36j54-214	Gas Valve	White-Rodgers
36G54-226	36j54-214	Gas Valve	White-Rodgers
36G54-238	36j54-214	Gas Valve	White-Rodgers
36G54-240	36j54-214	Gas Valve	White-Rodgers
36G54-250	36j54-214	Gas Valve	White-Rodgers
36G54-251	36j54-214	Gas Valve	White-Rodgers
36G54-280	36j54-214	Gas Valve	Systems Controls
36G54-501	36j54-214	Gas Valve	White-Rodgers
36G54-502	36j54-214	Gas Valve	White-Rodgers
36G54-508	36j54-214	Gas Valve	White-Rodgers
36G55-200	36j55-214	Gas Valve	White-Rodgers
36G55-208	36j55-214	Gas Valve	White-Rodgers
36G55-214	36j55-214	Gas Valve	White-Rodgers
36G55-221	36j55-214	Gas Valve	White-Rodgers
36G55-222	36j55-214	Gas Valve	White-Rodgers
36G55-223	36j55-214	Gas Valve	White-Rodgers
36G55-224	36j55-214	Gas Valve	White-Rodgers
36G55-225	36j55-214	Gas Valve	White-Rodgers
36G55-226	36j55-214	Gas Valve	White-Rodgers
36G55-227	36j55-214	Gas Valve	White-Rodgers
36G55-245	36j55-214	Gas Valve	White-Rodgers
36G55-254	36j55-214	Gas Valve	White-Rodgers
36G55-260	36j55-214	Gas Valve	White-Rodgers
36G55-501	36j55-214	Gas Valve	White-Rodgers
36G55-502	36j55-214	Gas Valve	White-Rodgers
36G55-503	36j55-214	Gas Valve	White-Rodgers
36G55-521	36j55-214	Gas Valve	White-Rodgers
36G55-522	36j55-214	Gas Valve	White-Rodgers
36G55-523	36j55-214	Gas Valve	White-Rodgers
36G55-524	36j55-214	Gas Valve	White-Rodgers
36G55-525	36j55-214	Gas Valve	White-Rodgers
36G55-618	36j55-614	Gas Valve	White-Rodgers
36G55-619	36j55-614	Gas Valve	White-Rodgers
36G57	50D50U-843	Ign. Module	Lennox
36G5701	50D50U-843	Ign. Module	Lennox
36H22-200	36H32-423	Gas Valve	White-Rodgers
36H22-202	36H32-214	Gas Valve	White-Rodgers
36H22-400	36H32-423	Gas Valve	White-Rodgers
36H22-401	36H32-423	Gas Valve	White-Rodgers
36H22-402	36H32-423	Gas Valve	White-Rodgers
36H22-404	36H32-423	Gas Valve	White-Rodgers

## CROSS REFERENCE

PART REPLACING	SUGGESTED REPLACEMENT(S)	PRODUCT CATEGORY	COMPANY NAME
36H22-406	36H32-423	Gas Valve	White-Rodgers
36H22-407	36H32-423	Gas Valve	White-Rodgers
36H22-408	36H32-423	Gas Valve	White-Rodgers
36H22-409	36H32-423	Gas Valve	White-Rodgers
36H22-410	36H32-423	Gas Valve	White-Rodgers
36H22-411	36H32-423	Gas Valve	White-Rodgers
36H22-412	36H32-423	Gas Valve	White-Rodgers
36H22-413	36H32-423	Gas Valve	White-Rodgers
36H22-414	36H32-423	Gas Valve	White-Rodgers
36H22-415	36H32-423	Gas Valve	White-Rodgers
36H22-416	36H32-423	Gas Valve	White-Rodgers
36H22-417	36H32-423	Gas Valve	White-Rodgers
36H22-418	36H32-423	Gas Valve	White-Rodgers
36H22-420	36H32-423	Gas Valve	White-Rodgers
36H22-421	36H32-423	Gas Valve	White-Rodgers
36H22-422	36H32-423	Gas Valve	White-Rodgers
36H22-424	36H32-423	Gas Valve	White-Rodgers
36H22-431	36H32-423	Gas Valve	White-Rodgers
36H22-432	36H32-423	Gas Valve	White-Rodgers
36H22-433	36H32-423	Gas Valve	White-Rodgers
36H22-434	36H32-423	Gas Valve	White-Rodgers
36H22-436	36H32-423	Gas Valve	White-Rodgers
36H22-437	36H32-423	Gas Valve	White-Rodgers
36H22-438	36H32-423	Gas Valve	Chad Mfg
36H22-490	36H32-423	Gas Valve	White-Rodgers
36H22-491	36H32-423	Gas Valve	White-Rodgers
36H23-201	36H33-412	Gas Valve	White-Rodgers
36H23-401	36H33-412	Gas Valve	White-Rodgers
36H23-402	36H33-412	Gas Valve	White-Rodgers
36H23-403	36H33-412	Gas Valve	White-Rodgers
36H23-404	36H33-412	Gas Valve	White-Rodgers
36H23-405	36H33-412	Gas Valve	White-Rodgers
36H23-419	36H33-412	Gas Valve	White-Rodgers
36H32-201	36H32-304	Gas Valve	White-Rodgers
36H32-207	36H32-304	Gas Valve	White-Rodgers
36H32-208	36H32-304	Gas Valve	White-Rodgers
36H32-209	36G32-500, 36H32-304	Gas Valve	White-Rodgers
36H32-210	36G32-500, 36H32-304	Gas Valve	White-Rodgers
36H32-214	36H32-214, 36H32-304	Gas Valve	White-Rodgers
36H32-215	36H32-214	Gas Valve	All Points
36H32-301	36H32-304	Gas Valve	White-Rodgers
36H32-304	36H32-304	Gas Valve	White-Rodgers
36H32-304CR	36H32-304	Gas Valve	Carrier
36H32-304FP	36H32-304	Gas Valve	Carrier
36H32-400	36H32-423	Gas Valve	White-Rodgers
36H32-402	36H32-423	Gas Valve	White-Rodgers
36H32-403	36H32-423	Gas Valve	White-Rodgers
36H32-405	36H32-423	Gas Valve	White-Rodgers
36H32-406	36H32-423	Gas Valve	White-Rodgers
36H32-407	36H32-423	Gas Valve	White-Rodgers
36H32-409	36H32-423	Gas Valve	White-Rodgers
36H32-410	36H32-423	Gas Valve	White-Rodgers
36H32-411	36H32-423	Gas Valve	White-Rodgers
36H32-412	36H32-423	Gas Valve	White-Rodgers
36H32-423	36H32-423	Gas Valve	White-Rodgers

PART REPLACING	SUGGESTED REPLACEMENT(S)	PRODUCT CATEGORY	COMPANY NAME
36H32-423CR	36H32-423	Gas Valve	Carrier
36H32-423FP	36H32-423	Gas Valve	Carrier
36H32-440	36H32-423	Gas Valve	White-Rodgers
36H32-441	36H32-423	Gas Valve	White-Rodgers
36H32-442	36H32-423	Gas Valve	White-Rodgers
36H32-452	36H32-423	Gas Valve	White-Rodgers
36H32-466	36H32-423	Gas Valve	White-Rodgers
36H33-313	36H33-412	Gas Valve	White-Rodgers
36H33-314	36H33-412	Gas Valve	White-Rodgers
36H33-412	36H33-412	Gas Valve	White-Rodgers
36H33-412CR	36H33-412	Gas Valve	Carrier
36H33-412FP	36H33-412	Gas Valve	Carrier
36H33-415	36H33-412	Gas Valve	White-Rodgers
36H33-416	36H33-412	Gas Valve	White-Rodgers
36H54-400	36H64-463	Gas Valve	White-Rodgers
36H54-401	36H64-463	Gas Valve	White-Rodgers
36H54-402	36H64-463	Gas Valve	White-Rodgers
36H54-403	36H64-463	Gas Valve	White-Rodgers
36H54-404	36H64-463	Gas Valve	White-Rodgers
36H54-405	36H64-463	Gas Valve	White-Rodgers
36H54-406	36H64-463	Gas Valve	White-Rodgers
36H54-407	36H64-463	Gas Valve	White-Rodgers
36H54-408	36H64-463	Gas Valve	White-Rodgers
36H54-409	36H64-463	Gas Valve	White-Rodgers
36H54-410	36H64-463	Gas Valve	White-Rodgers
36H54-413	36H64-463	Gas Valve	White-Rodgers
36H54-414	36H64-463	Gas Valve	White-Rodgers
36H54-415	36H64-463	Gas Valve	White-Rodgers
36H54-417	36H64-463	Gas Valve	White-Rodgers
36H54-418	36H64-463	Gas Valve	White-Rodgers
36H54-419	36H64-463	Gas Valve	White-Rodgers
36H54-420	36H64-463	Gas Valve	White-Rodgers
36H54-421	36H64-463	Gas Valve	White-Rodgers
36H54-430	36H64-463	Gas Valve	White-Rodgers
36H54-470	36H64-463	Gas Valve	White-Rodgers
36H54-471	36H64-463	Gas Valve	White-Rodgers
36H54-472	36H64-463	Gas Valve	White-Rodgers
36H54-473	36H64-463	Gas Valve	White-Rodgers
36H54-474	36H64-463	Gas Valve	Lennox
36H54-475	36H64-463	Gas Valve	Lennox
36H54-485	36H64-463	Gas Valve	White-Rodgers
36H54-486	36H64-463	Gas Valve	White-Rodgers
36H55-201	36H65-401	Gas Valve	White-Rodgers
36H55-202	36H65-401	Gas Valve	White-Rodgers
36H55-206	36H65-401	Gas Valve	White-Rodgers
36H55-403	36H65-401	Gas Valve	White-Rodgers
36H55-404	36H65-401	Gas Valve	White-Rodgers
36H55-405	36H65-401	Gas Valve	White-Rodgers
36H55-406	36H65-401	Gas Valve	White-Rodgers
36H55-416	36H65-401	Gas Valve	White-Rodgers
36H64-201	36H64-463	Gas Valve	White-Rodgers
36H64-202	36H64-463	Gas Valve	Modine
36H64-301	36H64-463	Gas Valve	White-Rodgers
36H64-302	36H64-463	Gas Valve	White-Rodgers
36H64-400	36H64-463	Gas Valve	White-Rodgers



## CROSS REFERENCE

PART REPLACING	SUGGESTED REPLACEMENT(S)	PRODUCT CATEGORY	COMPANY NAME
36H64-401	36H64-463	Gas Valve	White-Rodgers
36H64-402	36H64-463	Gas Valve	White-Rodgers
36H64-403	36H64-463	Gas Valve	White-Rodgers
36H64-404	36H64-463	Gas Valve	White-Rodgers
36H64-405	36H64-463	Gas Valve	White-Rodgers
36H64-406	36H64-463	Gas Valve	White-Rodgers
36H64-407	36H64-463	Gas Valve	White-Rodgers
36H64-411	36H64-463	Gas Valve	Modine
36H64-463	36H64-463	Gas Valve	White-Rodgers
36H64-463CR	36H64-463	Gas Valve	Carrier
36H64-463FP	36H64-463	Gas Valve	Carrier
36H64-480	36H64-463	Gas Valve	White-Rodgers
36H65-401	36H65-401	Gas Valve	White-Rodgers
36J22-203	36J22-214	Gas Valve	White-Rodgers
36J22-206	36J22-214	Gas Valve	White-Rodgers
36J22-207	36J22-214	Gas Valve	White-Rodgers
36J22-208	36J22-214	Gas Valve	White-Rodgers
36J22-209	36J22-214	Gas Valve	White-Rodgers
36J22-212	36J22-214	Gas Valve	White-Rodgers
36J22-214	36J22-214	Gas Valve	White-Rodgers
36J22-214CR	36J22-214	Gas Valve	Carrier
36J22-214FP	36J22-214	Gas Valve	Carrier
36J22-215	36J22-214	Gas Valve	White-Rodgers
36J22-216	36J22-214	Gas Valve	White-Rodgers
36J22-219	36J22-214	Gas Valve	White-Rodgers
36J22-222	36J22-214	Gas Valve	White-Rodgers
36J22-223	36J22-214	Gas Valve	White-Rodgers
36J22-224	36J22-214	Gas Valve	White-Rodgers
36J22-225	36J22-214	Gas Valve	White-Rodgers
36J22-227	36J22-214	Gas Valve	White-Rodgers
36J22-228	36J22-214	Gas Valve	White-Rodgers
36J22-229	36J22-214	Gas Valve	White-Rodgers
36J22-230	36J22-214	Gas Valve	White-Rodgers
36J22-231	36J22-214	Gas Valve	White-Rodgers
36J22-232	36J22-214	Gas Valve	White-Rodgers
36J22-233	36J22-214	Gas Valve	White-Rodgers
36J22-234	36J22-214	Gas Valve	White-Rodgers
36J22-237	36J22-214	Gas Valve	White-Rodgers
36J22-238	36J22-214	Gas Valve	White-Rodgers
36J22-239	36J22-214	Gas Valve	Chad Mfg
36J22-240	36J22-214	Gas Valve	Thermo Products
36J22-257	36J22-214	Gas Valve	White-Rodgers
36J22-501	36J22-214	Gas Valve	White-Rodgers
36J22-502	36J22-214	Gas Valve	White-Rodgers
36J22Y-202	36J22Y-212	Gas Valve	White-Rodgers
36J22Y-205	36J22-214	Gas Valve	Daikin
36J22Y-212	36J22Y-212	Gas Valve	White-Rodgers
36J23-203	36J22-214	Gas Valve	White-Rodgers
36J23-204	36J22-214	Gas Valve	White-Rodgers
36J23-207	36J22-214	Gas Valve	White-Rodgers
36J23-213	36J22-214	Gas Valve	White-Rodgers
36J23-230	36J24-214	Gas Valve	White-Rodgers
36J23-502	36J24-214	Gas Valve	White-Rodgers
36J24-202	36J24-214	Gas Valve	White-Rodgers

PART REPLACING	SUGGESTED REPLACEMENT(S)	PRODUCT CATEGORY	COMPANY NAME
36J24-205	36J24-214	Gas Valve	White-Rodgers
36J24-206	36J24-214	Gas Valve	White-Rodgers
36J24-208	36J24-214	Gas Valve	White-Rodgers
36J24-214	36J24-214	Gas Valve	White-Rodgers
36J24-214CR	36J24-214	Gas Valve	Carrier
36J24-214FP	36J24-214	Gas Valve	Carrier
36J24-215	36J24-214	Gas Valve	White-Rodgers
36J24-216	36J24-214	Gas Valve	White-Rodgers
36J24-217	36J24-214	Gas Valve	White-Rodgers
36J24-218	36J24-214	Gas Valve	White-Rodgers
36J24-219	36J24-214	Gas Valve	White-Rodgers
36J24-220	36J24-214	Gas Valve	White-Rodgers
36J24-221	36J24-214	Gas Valve	White-Rodgers
36J24-222	36J24-214	Gas Valve	White-Rodgers
36J24-223	36J24-214	Gas Valve	White-Rodgers
36J24-224	36J24-214	Gas Valve	White-Rodgers
36J24-225	36J24-214	Gas Valve	White-Rodgers
36J24-226	36J24-214	Gas Valve	White-Rodgers
36J24-227	36J24-214	Gas Valve	White-Rodgers
36J24-254	36J24-214	Gas Valve	White-Rodgers
36J24-505	36J24-214	Gas Valve	White-Rodgers
36J24-506	36J24-214	Gas Valve	White-Rodgers
36J24-510	36J24-214	Gas Valve	White-Rodgers
36J24-614	36J24-614	Gas Valve	White-Rodgers
36J24-615	36J24-214	Gas Valve	First Operations
36J24-618	36J24-614	Gas Valve	White-Rodgers
36J27-503	36J27-554	Gas Valve	White-Rodgers
36J27-508	36J27-554	Gas Valve	White-Rodgers
36J27-510	36J27-554	Gas Valve	White-Rodgers
36J27-512	36J27-554	Gas Valve	White-Rodgers
36J27-514	36J27-554	Gas Valve	White-Rodgers
36J27-515	36J27-554	Gas Valve	White-Rodgers
36J27-516	36J27-554	Gas Valve	White-Rodgers
36J27-517	36J27-554	Gas Valve	White-Rodgers
36J27-519	36J27-554	Gas Valve	White-Rodgers
36J27-520	36J27-554	Gas Valve	White-Rodgers
36J27-554	36J27-554	Gas Valve	White-Rodgers
36J27-561	36J27-554	Gas Valve	White-Rodgers
36J27-580	36J27-554	Gas Valve	White-Rodgers
36J52-212	36J24-214	Gas Valve	White-Rodgers
36J52-501	36J24-214	Gas Valve	White-Rodgers
36J52-510	36J24-214	Gas Valve	White-Rodgers
36J52-580	36J24-214	Gas Valve	White-Rodgers
36J52-581	36J24-214	Gas Valve	White-Rodgers
36J54-201	36J54-214	Gas Valve	White-Rodgers
36J54-202	36J54-214	Gas Valve	White-Rodgers
36J54-203	36J54-214	Gas Valve	White-Rodgers
36J54-204	36J54-214	Gas Valve	Trane
36J54-208	36J54-214	Gas Valve	White-Rodgers
36J54-209	36J54-214	Gas Valve	White-Rodgers
36J54-210	36J54-214	Gas Valve	White-Rodgers
36J54-214	36J54-214	Gas Valve	White-Rodgers
36J54-216	36J54-214	Gas Valve	White-Rodgers
36J54-223	36J54-214	Gas Valve	White-Rodgers
36J54-224	36J54-214	Gas Valve	White-Rodgers

## CROSS REFERENCE

PART REPLACING	SUGGESTED REPLACEMENT(S)	PRODUCT CATEGORY	COMPANY NAME
36J54-226	36J54-214	Gas Valve	White-Rodgers
36J54-238	36J54-214	Gas Valve	White-Rodgers
36J54-239	36J54-214	Gas Valve	White-Rodgers
36J54-250	36J54-214	Gas Valve	White-Rodgers
36J54-252	36J54-214	Gas Valve	White-Rodgers
36J54-255	36J54-214	Gas Valve	White-Rodgers
36J54-290	36J54-214	Gas Valve	White-Rodgers
36J54-291	36J54-214	Gas Valve	White-Rodgers
36J54-501	36J54-214	Gas Valve	White-Rodgers
36J54-503	36J54-214	Gas Valve	White-Rodgers
36J54-504	36J54-214	Gas Valve	White-Rodgers
36J55-202	36J55-214	Gas Valve	White-Rodgers
36J55-203	36J55-214	Gas Valve	White-Rodgers
36J55-214	36J55-214	Gas Valve	White-Rodgers
36J55-228	36J55-214	Gas Valve	White-Rodgers
36J55-229	36J55-214	Gas Valve	White-Rodgers
36J55-230	36J55-214	Gas Valve	White-Rodgers
36J55-254	36J55-214	Gas Valve	White-Rodgers
36J55-255	36J55-214	Gas Valve	White-Rodgers
36J55-256	36J55-214	Gas Valve	White-Rodgers
36J55-260	36J55-214	Gas Valve	White-Rodgers
36J55-262	36J55-214	Gas Valve	LB White
36J55-503	36J55-214	Gas Valve	White-Rodgers
36J55-504	36J55-214	Gas Valve	White-Rodgers
36J55-521	36J55-214	Gas Valve	White-Rodgers
36J55-522	36J55-214	Gas Valve	White-Rodgers
36J55-523	36J55-214	Gas Valve	White-Rodgers
36J55-524	36J55-214	Gas Valve	White-Rodgers
36J55-614	36J55-614	Gas Valve	White-Rodgers
36J55-618	36J55-614	Gas Valve	White-Rodgers
36J55-745	36J55-214	Gas Valve	White-Rodgers
36J56-201	36J55-214	Gas Valve	White-Rodgers
36J56-503	36J55-214	Gas Valve	White-Rodgers
36J56-580	36J55-214	Gas Valve	White-Rodgers
36J58-201	36J55-214	Gas Valve	White-Rodgers
36J58-202	36J24-214	Gas Valve	White-Rodgers
36J58-252	36J54-214	Gas Valve	White-Rodgers
36N77	21D64-44	Ignitor	Lennox
37072	50E47U-843	Ign. Module	Imperial
3768900	36C03-433	Gas Valve	Grainger
37941	36J22-214	Gas Valve	Blodgett
37942	36J22-214, 36H32-423	Gas Valve	Blodgett
37967B002	47D01U-843	Defrost Ctl.	Lennox
37H7701	36H64-463	Gas Valve	Lennox
380602	21D64-44	Ignitor	Thermo Products
380603	36J22-214, 36H32-214, 36H32-304	Gas Valve	Thermo Products
380639	36J22-214	Gas Valve	Thermo Products
380650	768A-843	Ignitor	Thermo Products
380659	36J54-214	Gas Valve	Thermo Products
380799	36J22-214	Gas Valve	Thermo Products

PART REPLACING	SUGGESTED REPLACEMENT(S)	PRODUCT CATEGORY	COMPANY NAME
380872	36J22-214	Gas Valve	Thermo Products
38109	47D01U-843	Defrost Ctl.	Lennox
3825015	30A46-105	Flame Sensor	Grainger
38322B001	767A-371, 21D64-2	Ignitor	Armstrong
3834017	36C74-913	Gas Valve	Grainger
384938001	50F06-843	Fan Blower Ctl.	Lennox
384938-001	50F06-843	Fan Blower Ctl.	Lennox
38593B001	36C03-433	Gas Valve	Allied Air
38707B001	50D50-801	Ign. Module	Lennox
38L0001	36J55-214	Gas Valve	Lennox
39369	25M01A-100	Gas Valve	Dynamic
395369	25M01A-100	Gas Valve	Dynamic
39840B001	47D01U-843	Defrost Ctl.	Armstrong
39L9301	36H33-412	Gas Valve	Lennox
39M26	21M51U-843	Furnace Ctl.	Lennox
3HS-1	50E70-820	RTU Control	Trane
3HS-2 Rev A	50E70-820	RTU Control	Trane
3HS-2 Rev D	50E70-820	RTU Control	Trane
3SV-2	50E70-820	RTU Control	Trane
3XA73	21D64-2, 21D64-44	Ignitor	Grainger
3XA74	50E47U-843, 50E47-843	Ign. Module	Grainger
3XA75	50M56X-843, 50A55-843, 50M56U-843	Furnace Ctl.	Grainger
3XA76	50M56X-843, 50A65-843, 50M56U-843	Furnace Ctl.	Grainger
400B0091	50F06-843	Fan Blower Ctl.	Lennox
40115001	25M01A-100	Gas Valve	Whirlpool
40403001	50F06-843	Fan Blower Ctl.	Lennox
40403-001	50F06-843	Fan Blower Ctl.	Lennox
40403002	50F06-843	Fan Blower Ctl.	Lennox
40403-002	50F06-843	Fan Blower Ctl.	Lennox
40403003	50F06-843	Fan Blower Ctl.	Lennox
40403-003	50F06-843	Fan Blower Ctl.	Lennox
405705	36H32-304	Gas Valve	Dri Steem
405705-002	36J54-214, 36H64-463	Gas Valve	Dri Steem
406650	50F06-843	Fan Blower Ctl.	Consolidated
4070519	21D64-44	Ignitor	Lincoln Food
410848000	36C84-945	Gas Valve	AO Smith
410928000	5059-134	Pilot Control	Slant-Fin
4109459000	36C84-945	Gas Valve	Slant-Fin
410950000	3049-115	Flame Sensor	Slant-Fin
41108	36G32-500	Gas Valve	Honeywell
4116000	50F06-843	Fan Blower Ctl.	Weil-McLain
41-401	767A-369	Ignitor	Robertshaw
41-402	767A-371, 21D64-2	Ignitor	Robertshaw
41-403	767A-370, 21D64-2	Ignitor	Robertshaw
41-404	767A-382, 21D64-2	Ignitor	Robertshaw
41-405	767A-361, 21D64-2	Ignitor	Robertshaw
41-406	767A-374	Ignitor	Robertshaw
41-407	767A-376, 21D64-2	Ignitor	Robertshaw
41-408	767A-372, 21D64-2	Ignitor	Robertshaw
41-409	767A-370, 21D64-2	Ignitor	Robertshaw
41-410	767A-377, 21D64-2	Ignitor	Robertshaw
41-411	767A-383, 21D64-2	Ignitor	Robertshaw
41-412	767A-373, 21D64-2	Ignitor	Robertshaw

## CROSS REFERENCE

PART REPLACING	SUGGESTED REPLACEMENT(S)	PRODUCT CATEGORY	COMPANY NAME
41-413	767A-375	Ignitor	Robertshaw
41-414	767A-384, 21D64-2	Ignitor	Robertshaw
41-418	767A-385, 767A-378, 21D64-44	Ignitor	Robertshaw
41-602	767A-378, 21D64-2	Ignitor	Robertshaw
41-603	767A-379	Ignitor	Robertshaw
41-604	767A-380	Ignitor	Robertshaw
41-605	767A-381	Ignitor	Robertshaw
41802	50E47U-843	Ign. Module	Blodgett
41A08	47D01U-843	Defrost Ctl.	Lennox
41A0801	47D01U-843	Defrost Ctl.	Lennox
41F29	47D01U-843	Defrost Ctl.	Lennox
41F2901	47D01U-843	Defrost Ctl.	Lennox
41F-5	50M56X-843, 50T35-743, 50M56U-843	Furnace Ctl.	Texas Inst.
41K35	36G33-500	Gas Valve	Honeywell
41K3501	36G33-500	Gas Valve	Honeywell
41K37	36G33-500	Gas Valve	Honeywell
41K3701	36G33-500	Gas Valve	Honeywell
41K38	36G33-500	Gas Valve	Honeywell
41K3801	36G33-500	Gas Valve	Honeywell
41K5601	768A-844	Ignitor	Lennox
41K87	50D50-801	Ign. Module	Lennox
41K8701	50D50-801	Ign. Module	Lennox
42-0290	36C03-333	Gas Valve	GSI
420828-1	36G32-500	Gas Valve	Honeywell
42-102664-10	49M11-843	Contactora	Rheem
421084	36J22-214	Gas Valve	York
42-25101-01	49M11-843	Contactora	Rheem
42-25101-02	49M11-843	Contactora	Rheem
42-25101-03	49M11-843	Contactora	Rheem
42-25102-01	49M11-843	Contactora	Rheem
42351	50D50U-843	Ign. Module	Blodgett
42487-001	50I56D-905	Smart Valve	Honeywell
425066	49M11-843	Contactora	Rheem
42810-0114	50D50U-843	Ign. Module	Middleby
42A16	47D01U-843	Defrost Ctl.	Lennox
42A1601	47D01U-843	Defrost Ctl.	Lennox
42AL28	789A-707A1	Ignitor	Grainger
43101972100	50M56X-843, 50M56U-843	Furnace Ctl.	York
431-01972-100	50M56X-843, 50M56U-843	Furnace Ctl.	York
43166-001	50I56D-905	Smart Valve	Honeywell
43200-001	36J55-214, 36H65-401	Gas Valve	Lennox
43207001	21M51U-843	Furnace Ctl.	Armstrong
436644550110	36G22-254	Gas Valve	Trane
436689600001	36J54-214	Gas Valve	Trane
43799-001	36H64-463	Gas Valve	Allied Air
43799-001/R	36H64-463	Gas Valve	Allied Air
44010010	50D50U-843	Ign. Module	Sunstar
44-1340	790-843A1, 790-843A5PK	Flame Sensor	All Points
44154501	36J22-214, 36H32-423	Gas Valve	Alliance
44154502	36J22-214, 36H32-423	Gas Valve	Alliance
44154505	36J22-214	Gas Valve	Alliance
44154506	36J22-214	Gas Valve	Alliance
44166701	36H32-423	Gas Valve	Alliance
44166702	36H32-423	Gas Valve	Alliance
44166703	36H32-423	Gas Valve	Alliance

PART REPLACING	SUGGESTED REPLACEMENT(S)	PRODUCT CATEGORY	COMPANY NAME
44298501	36H32-214	Gas Valve	Alliance
44479-001	50I56D-905	Smart Valve	Honeywell
44614-001	47D01U-843	Defrost Ctl.	Armstrong
44614-002	47D01U-843	Defrost Ctl.	Armstrong
44744-2	767A-380	Ignitor	Armstrong
44957001	21M51U-843	Furnace Ctl.	Armstrong
449572	21V51U-843	Furnace Ctl.	York
449573	21M51U-843	Furnace Ctl.	York
44L48	790-843A1, 790-843A5PK	Flame Sensor	Lennox
4531250	50D50U-843	Ign. Module	Garland
45392001	50F06-843	Fan Blower Ctl.	Lennox
45392-001	50F06-843	Fan Blower Ctl.	Lennox
45692001	50F06-843	Fan Blower Ctl.	Lennox
45692-001	50F06-843	Fan Blower Ctl.	Lennox
45CG10AJA	49M11-843	Contactora	Furnas Electric
45CG20AJ	49M11-843	Contactora	Furnas Electric
45DG10AJA	49M11-843	Contactora	Furnas Electric
45DG20AJ	49M11-843	Contactora	Furnas Electric
45EG10AJA	49M11-843	Contactora	Furnas Electric
45EG20AJ	49M11-843	Contactora	Furnas Electric
46107-001/G	36J55-214	Gas Valve	Allied Air
46257-001	47D01U-843	Defrost Ctl.	Armstrong
46K67	47D01U-843	Defrost Ctl.	Lennox
46K6701	47D01U-843	Defrost Ctl.	Lennox
46M9901	21M51U-843	Furnace Ctl.	Lennox
47-100436-01	48P21-811	Air Handler Ctl.	Rheem
47-100436-02	48X21-811	Air Handler Ctl.	Rheem
47-100436-04	48P21-811	Air Handler Ctl.	Rheem
47-100436-04-03	48P21-811	Air Handler Ctl.	Rheem
47-100436-05	48P21-811	Air Handler Ctl.	Rheem
47-100436-84A	48P21-811	Air Handler Ctl.	Rheem
47-100436-84D	48P21-811	Air Handler Ctl.	Rheem
47-100436-84J	48P21-811	Air Handler Ctl.	Rheem
47-102077-02	48X21-811	Air Handler Ctl.	Rheem
47-102077-04	48P21-811	Air Handler Ctl.	Rheem
47-102077-04-00	48P21-811	Air Handler Ctl.	Rheem
47-102077-05	48X21-811	Air Handler Ctl.	Rheem
47-102077-05-00	48X21-811	Air Handler Ctl.	Rheem
47-102684-01	47D40-801, 47D01U-843	Defrost Ctl.	Rheem
47-102684-02	47D43-811, 47D01U-843	Defrost Ctl.	Rheem
47-102684-03	47D40-801, 47D01U-843	Defrost Ctl.	Rheem
47-102684-04	47D43-811, 47D01U-843	Defrost Ctl.	Rheem
47-102684-06	47D01U-843	Defrost Ctl.	Rheem
47-102684-07	47D43-811, 47D01U-843	Defrost Ctl.	Rheem
47-102684-08	47D43-811, 47D01U-843	Defrost Ctl.	Rheem
47-102684-09	47D43-811, 47D01U-843	Defrost Ctl.	Rheem
47-102684-10	47D43-811, 47D01U-843	Defrost Ctl.	Rheem
47-102684-104	47D43-811, 47D01U-843	Defrost Ctl.	Rheem
47-102684-11	47D43-811, 47D01U-843	Defrost Ctl.	Rheem
47-102684-14	47D43-811, 47D01U-843	Defrost Ctl.	Rheem
47-102684-204	47D43-811, 47D01U-843	Defrost Ctl.	Rheem
47-102684-83	47D40-801, 47D01U-843	Defrost Ctl.	Rheem
47-102684-94	47D43-811, 47D01U-843	Defrost Ctl.	Rheem
47-102685-01	47D40-801, 47D01U-843	Defrost Ctl.	Rheem
47-102685-02	47D43-811, 47D01U-843	Defrost Ctl.	Rheem

## CROSS REFERENCE

PART REPLACING	SUGGESTED REPLACEMENT(S)	PRODUCT CATEGORY	COMPANY NAME
47-102685-03	47D40-801, 47D01U-843	Defrost Ctl.	Rheem
47-102685-04	47D43-811, 47D01U-843	Defrost Ctl.	Rheem
47-102685-05	47D43-811, 47D01U-843	Defrost Ctl.	Rheem
47-102685-06	47D43-811, 47D01U-843	Defrost Ctl.	Rheem
47-102685-07	47D43-811, 47D01U-843	Defrost Ctl.	Rheem
47-102685-83	47D43-811, 47D01U-843	Defrost Ctl.	Rheem
47-102685-84	47D43-811, 47D01U-843	Defrost Ctl.	Rheem
47-102685-85	47D43-811, 47D01U-843	Defrost Ctl.	Rheem
47-102685-86	47D43-811, 47D01U-843	Defrost Ctl.	Rheem
47-102685-87	47D43-811, 47D01U-843	Defrost Ctl.	Rheem
47181-001	47D01U-843	Defrost Ctl.	Armstrong
47-21517-11	47D40-801, 47D01U-843	Defrost Ctl.	Rheem
47-21517-13	47D43-811, 47D01U-843	Defrost Ctl.	Rheem
47-21517-14	47D40-801, 47D01U-843	Defrost Ctl.	Rheem
47-21517-16	47D40-801, 47D01U-843	Defrost Ctl.	Rheem
47-21517-17	47D40-801, 47D01U-843	Defrost Ctl.	Rheem
47-21517-18	47D40-801, 47D01U-843	Defrost Ctl.	Rheem
47-21517-20	47D43-811, 47D01U-843	Defrost Ctl.	Rheem
47-21517-22	47D43-811, 47D01U-843	Defrost Ctl.	Rheem
47-21517-23	47D40-801, 47D01U-843	Defrost Ctl.	Rheem
47-21517-24	47D40-801, 47D01U-843	Defrost Ctl.	Rheem
47-21517-82	47D40-801, 47D01U-843	Defrost Ctl.	Rheem
47-21517-88	47D40-801, 47D01U-843	Defrost Ctl.	Rheem
47-21517-92	47D43-811, 47D01U-843	Defrost Ctl.	Rheem
47-21776-01	47D01U-843	Defrost Ctl.	Rheem
47-21776-05	47D01U-843	Defrost Ctl.	Rheem
47-21776-06	47D01U-843	Defrost Ctl.	Rheem
47-21776-86	47D01U-843	Defrost Ctl.	Rheem
47-22693-01	50F06-843	Fan Blower Ctl.	Rheem
47-22693-02	50F06-843	Fan Blower Ctl.	Rheem
47-22827-01	50F06-843	Fan Blower Ctl.	Rheem
47-22827-02	50F06-843	Fan Blower Ctl.	Rheem
47-22827-03	50F06-843	Fan Blower Ctl.	Rheem
47-22827-81	50F06-843	Fan Blower Ctl.	Rheem
47-22827-82	50F06-843	Fan Blower Ctl.	Rheem
47-22827-83	50F06-843	Fan Blower Ctl.	Rheem
47-22828-01	50F06-843	Fan Blower Ctl.	Rheem
47-22828-02	50F06-843	Fan Blower Ctl.	Rheem
47-22830-01	50F06-843	Fan Blower Ctl.	Rheem
47-22830-02	50F06-843	Fan Blower Ctl.	Rheem
473-20937-001	767A-381	Ignitor	York
47732-001	36J55-214	Gas Valve	Lennox
4788337	36C84-945	Gas Valve	Grainger
47D01U-843	47D01U-843	Defrost Ctl.	White-Rodgers
47D20-801	47D40-801	Defrost Ctl.	White-Rodgers
47D40-801	47D40-801, 47D01U-843	Defrost Ctl.	White-Rodgers
47D43-101	47D43-811, 47D01U-843	Defrost Ctl.	White-Rodgers
47D43-111	47D43-811, 47D01U-843	Defrost Ctl.	White-Rodgers
47D43-111-02	47D43-811, 47D01U-843	Defrost Ctl.	White-Rodgers
47D43-111-03	47D43-811, 47D01U-843	Defrost Ctl.	White-Rodgers
47D43-111-04	47D43-811, 47D01U-843	Defrost Ctl.	White-Rodgers
47D43-811	47D43-811, 47D01U-843	Defrost Ctl.	White-Rodgers
48C21-289	48C21-707	Air Handler Ctl.	White-Rodgers
48C21-290	48C21-707	Air Handler Ctl.	Goodman
48C21-290-01	48C21-707	Air Handler Ctl.	White-Rodgers

PART REPLACING	SUGGESTED REPLACEMENT(S)	PRODUCT CATEGORY	COMPANY NAME
48C21-290-02	48C21-707	Air Handler Ctl.	White-Rodgers
48C21-290-04	48C21-707	Air Handler Ctl.	White-Rodgers
48C21-707	48C21-707	Air Handler Ctl.	White-Rodgers
48K99	50D50-801	Ign. Module	Lennox
48K9901	50D50-801	Ign. Module	Lennox
48M55-751	48M55-751	Air Handler Ctl.	White-Rodgers
48P21-111	48P21-811	Air Handler Ctl.	White-Rodgers
48P21-811	48P21-811	Air Handler Ctl.	White-Rodgers
48P55-751	48P55-751	Air Handler Ctl.	White-Rodgers
48X21-101	48X21-811	Air Handler Ctl.	White-Rodgers
48X21-111	48X21-811	Air Handler Ctl.	White-Rodgers
48X21-811	48X21-811	Air Handler Ctl.	White-Rodgers
497271-5	36C03-300	Gas Valve	Vulcan Hart
497271-6	36C03-300	Gas Valve	Vulcan Hart
49906-G3	764-742	Gas Valve	Perfection
49B22-289	49S25-707	Defrost Ctl.	White-Rodgers
49C25-289	49S25-707	Defrost Ctl.	Goodman
49C25-289-01	49S25-707	Defrost Ctl.	White-Rodgers
49J22-289	49S25-707	Defrost Ctl.	White-Rodgers
49J22-289-02	49S25-707	Defrost Ctl.	White-Rodgers
49K25-289	49S25-707	Defrost Ctl.	Goodman
49K25-289-01	49S25-707	Defrost Ctl.	White-Rodgers
49M11-843	49M11-843	Contacto	White-Rodgers
49M5901	21V51U-843	Furnace Ctl.	Lennox
49M84	790-843A1, 790-843A5PK	Flame Sensor	Lennox
49P11-801	49M11-843	Contacto	White-Rodgers
49P11-843	49M11-843	Contacto	White-Rodgers
49S25-707	49S25-707	Defrost Ctl.	White-Rodgers
49W66	50D50U-843	Ign. Module	Lennox
4CZ50	50E47U-843, 50E47-843	Ign. Module	Grainger
4DG52	36H33-412	Gas Valve	Grainger
4DG53	50M56X-843, 50A55-843, 50M56U-843	Furnace Ctl.	Grainger
4DG54	50M56X-843, 50A55-843, 50M56U-843	Furnace Ctl.	Grainger
4DG55	50M56X-843, 50A55-843, 50M56U-843	Furnace Ctl.	Grainger
4DG56	50M56X-843, 50A55-843, 50M56U-843	Furnace Ctl.	Grainger
4E095	36C03U-333	Gas Valve	Grainger
4E096	36C03U-433	Gas Valve	Grainger
4E123	36C03-300	Gas Valve	Grainger
4E124	36C03-333	Gas Valve	Grainger
4E127	36C03U-333	Gas Valve	Grainger
4E128	36C03U-433	Gas Valve	Grainger
4E190	36C03-300	Gas Valve	Grainger
4E287	36C03-300	Gas Valve	Grainger
4E400	36C03-333	Gas Valve	Grainger
4E770	36C03-333	Gas Valve	Grainger
4E950	36H32-304	Gas Valve	Grainger
4E951	36C74-913	Gas Valve	Grainger
4E953	36C94-303	Gas Valve	Grainger
4E954	50E47U-843, 50E47-843	Ign. Module	Grainger
4E955	50E47U-843, 50E47-843	Ign. Module	Grainger
4E956	50E47U-843, 50E47-843	Ign. Module	Grainger
4E957	760-401, 790-843A1	Flame Sensor	Grainger



## CROSS REFERENCE

PART REPLACING	SUGGESTED REPLACEMENT(S)	PRODUCT CATEGORY	COMPANY NAME
50009	36H32-423	Gas Valve	HB Smith
50010	36H32-304	Gas Valve	HB Smith
50015	21D64-44	Ignitor	Raypak
50018	767A-361, 21D64-2	Ignitor	HB Smith
50313737	50E47U-843	Ign. Module	Revent
504091	25M01A-100	Gas Valve	Whirlpool
5059-101	5059-134	Pilot Control	White-Rodgers
5059-103	5059-134	Pilot Control	White-Rodgers
5059-121	5059-134	Pilot Control	White-Rodgers
5059-122	5059-134	Pilot Control	White-Rodgers
5059-124	5059-134	Pilot Control	White-Rodgers
5059-134	5059-134	Pilot Control	White-Rodgers
5059-135	5059-134	Pilot Control	White-Rodgers
5059-2	5059-134	Pilot Control	White-Rodgers
5059-20	5059-134	Pilot Control	White-Rodgers
5059-21	5059-134	Pilot Control	White-Rodgers
5059-22	5059-134	Pilot Control	White-Rodgers
5059-23	5059-134	Pilot Control	White-Rodgers
5059-24	5059-134	Pilot Control	White-Rodgers
5059-25	5059-134	Pilot Control	White-Rodgers
5059-26	5059-134	Pilot Control	White-Rodgers
5059-27	5059-134	Pilot Control	White-Rodgers
5059-28	5059-134	Pilot Control	White-Rodgers
5059-29	5059-134	Pilot Control	White-Rodgers
5059-30	5059-134	Pilot Control	White-Rodgers
5059-32	5059-134	Pilot Control	White-Rodgers
5059-33	5059-134	Pilot Control	White-Rodgers
5059-34	5059-134	Pilot Control	White-Rodgers
5059-35	5059-134	Pilot Control	White-Rodgers
5059-36	5059-134	Pilot Control	White-Rodgers
5059-37	5059-134	Pilot Control	White-Rodgers
5059-38	5059-134	Pilot Control	White-Rodgers
5059-39	5059-134	Pilot Control	White-Rodgers
5059-40	5059-134	Pilot Control	White-Rodgers
5059-41	5059-134	Pilot Control	White-Rodgers
50781-G1	5059-134	Pilot Control	White-Rodgers
50824	36H32-423	Gas Valve	Carlin
50A50-110	50M56X-843, 50A55-843, 50M56U-843	Furnace Ctl.	White-Rodgers
50A50-111	50M56X-843, 50A55-843, 50M56U-843	Furnace Ctl.	White-Rodgers
50A50-112	50M56X-843, 50A55-843, 50M56U-843	Furnace Ctl.	White-Rodgers
50A50-113	50M56X-843, 50A55-843, 50M56U-843	Furnace Ctl.	White-Rodgers
50A50-130	50M56X-843, 50A55-843, 50M56U-843	Furnace Ctl.	White-Rodgers
50A50-131	50M56X-843, 50A55-843, 50M56U-843	Furnace Ctl.	White-Rodgers
50A50-142	50M56X-843, 50A55-843, 50M56U-843	Furnace Ctl.	White-Rodgers
50A50-143	50M56X-843, 50A55-843, 50M56U-843	Furnace Ctl.	White-Rodgers
50A50-205	50M56X-843, 50A55-843, 50M56U-843	Furnace Ctl.	White-Rodgers
50A50-206	50M56X-843, 50A55-843, 50M56U-843	Furnace Ctl.	White-Rodgers
50A50-207	50M56X-843, 50A55-843, 50M56U-843	Furnace Ctl.	White-Rodgers

PART REPLACING	SUGGESTED REPLACEMENT(S)	PRODUCT CATEGORY	COMPANY NAME
50A50-208	50M56X-843, 50A55-843, 50M56U-843	Furnace Ctl.	White-Rodgers
50A50-209	50M56X-843, 50A55-843, 50M56U-843	Furnace Ctl.	White-Rodgers
50A50-210	50M56X-843, 50A55-843, 50M56U-843	Furnace Ctl.	White-Rodgers
50A50-215	50M56X-843, 50A55-843, 50M56U-843	Furnace Ctl.	White-Rodgers
50A50-216	50M56X-843, 50A55-843, 50M56U-843	Furnace Ctl.	White-Rodgers
50A50-229	50M56X-843, 50A55-843, 50M56U-843	Furnace Ctl.	White-Rodgers
50A50-230	50M56X-843, 50A55-843, 50M56U-843	Furnace Ctl.	White-Rodgers
50A50-240	50M56X-843, 50A55-843, 50M56U-843	Furnace Ctl.	White-Rodgers
50A50-241	50M56X-843, 50A55-843, 50M56U-843	Furnace Ctl.	White-Rodgers
50A50-245	50M56X-843, 50A55-843, 50M56U-843	Furnace Ctl.	White-Rodgers
50A50-285	50M56X-843, 50A55-843, 50M56U-843	Furnace Ctl.	White-Rodgers
50A50-286	50M56X-843, 50A55-843, 50M56U-843	Furnace Ctl.	White-Rodgers
50A50-288	50M56X-843, 50A55-843, 50M56U-843	Furnace Ctl.	White-Rodgers
50A50-295	50M56X-843, 50A55-843, 50M56U-843	Furnace Ctl.	White-Rodgers
50A50-296	50M56X-843, 50A55-843, 50M56U-843	Furnace Ctl.	White-Rodgers
50A50-298	50M56X-843, 50A55-843, 50M56U-843	Furnace Ctl.	White-Rodgers
50A50-405	50M56X-843, 50A55-843, 50M56U-843	Furnace Ctl.	White-Rodgers
50A50-406	50M56X-843, 50A55-843, 50M56U-843	Furnace Ctl.	White-Rodgers
50A50-407	50M56X-843, 50M56U-843	Furnace Ctl.	White-Rodgers
50A50-408	50M56X-843, 50A55-843, 50M56U-843	Furnace Ctl.	White-Rodgers
50A50-438	50M56X-843, 50A55-843, 50M56U-843	Furnace Ctl.	White-Rodgers
50A50-471	50M56X-843, 50A55-843, 50M56U-843	Furnace Ctl.	White-Rodgers
50A50-472	50M56X-843, 50A55-843, 50M56U-843	Furnace Ctl.	White-Rodgers
50A50-473	50M56X-843, 50A55-843, 50M56U-843	Furnace Ctl.	White-Rodgers
50A50-474	50M56X-843, 50A55-843, 50M56U-843	Furnace Ctl.	White-Rodgers
50A50-475	50M56X-843, 50A55-843, 50M56U-843	Furnace Ctl.	White-Rodgers
50A50-571	50M56X-843, 50A55-843, 50M56U-843	Furnace Ctl.	White-Rodgers
50A51-210	21M51U-843	Furnace Ctl.	White-Rodgers
50A51-211	21M51U-843	Furnace Ctl.	White-Rodgers
50A51-215	21M51U-843	Furnace Ctl.	White-Rodgers
50A51-225	21M51U-843	Furnace Ctl.	White-Rodgers
50A51-235	21M51U-843	Furnace Ctl.	White-Rodgers
50A51-242	21M51U-843	Furnace Ctl.	White-Rodgers
50A51-243	21M51U-843	Furnace Ctl.	White-Rodgers
50A51-405	21M51U-843	Furnace Ctl.	White-Rodgers
50A51-495	21M51U-843	Furnace Ctl.	White-Rodgers
50A55 843S1	50M56X-843	Furnace Ctl.	White-Rodgers
50A55-120	50M56X-843, 50M56U-801, 50M56U-843	Furnace Ctl.	White-Rodgers

## CROSS REFERENCE

PART REPLACING	SUGGESTED REPLACEMENT(S)	PRODUCT CATEGORY	COMPANY NAME
50A55-143	50M56X-843, 50A55-843, 50M56U-843	Furnace Ctl.	White-Rodgers
50A55-241	50M56X-843, 50A55-843, 50M56U-843	Furnace Ctl.	White-Rodgers
50A55-245	50M56X-843, 50A55-843, 50M56U-843	Furnace Ctl.	White-Rodgers
50A55-250	50M56X-843, 50A55-843, 50M56U-843	Furnace Ctl.	White-Rodgers
50A55-285	50M56X-843, 50A55-843, 50M56U-843	Furnace Ctl.	White-Rodgers
50A55-286	50M56X-843, 50A55-843, 50M56U-843	Furnace Ctl.	White-Rodgers
50A55-288	50M56X-843, 50A55-843, 50M56U-843	Furnace Ctl.	White-Rodgers
50A55-288-05	50M56X-843, 50M56U-843	Furnace Ctl.	White-Rodgers
50A55-289	50M56X-843	Furnace Ctl.	White-Rodgers
50A55-3797	50M56X-843, 50A55-3797, 50A55-843	Furnace Ctl.	White-Rodgers
50A55-438	50M56X-843, 50A55-843, 50M56U-843	Furnace Ctl.	White-Rodgers
50A55-474	50M56X-843, 50A55-3797, 50A55-843	Furnace Ctl.	White-Rodgers
50A55-474-03	50A55-3797	Furnace Ctl.	White-Rodgers
50A55-474-04	50A55-3797	Furnace Ctl.	White-Rodgers
50A55-476	50M56X-843, 50A55-3797, 50A55-843	Furnace Ctl.	White-Rodgers
50A55-480	50M56X-843, 50M56U-843	Furnace Ctl.	White-Rodgers
50A55-486	50M56X-843, 50M56U-843	Furnace Ctl.	White-Rodgers
50A55-571	50M56X-843, 50A55-3797, 50A55-843	Furnace Ctl.	White-Rodgers
50A55-571-03	50A55-3797	Furnace Ctl.	White-Rodgers
50A55-571-04	50A55-3797	Furnace Ctl.	White-Rodgers
50A55-743	50M56X-843	Furnace Ctl.	White-Rodgers
50A55-843	50M56X-843, 50A55-843, 50M56U-843	Furnace Ctl.	White-Rodgers
50A56-242	50M56X-843, 50A56-956, 50M56U-843	Furnace Ctl.	White-Rodgers
50A56-243	50M56X-843, 50A56-956, 50M56U-843	Furnace Ctl.	White-Rodgers
50A56-956	50M56X-843, 50A56-956, 50M56U-843	Furnace Ctl.	White-Rodgers
50A62-120	21D83M-843	Furnace Ctl.	White-Rodgers
50A62-121	21D83M-843	Furnace Ctl.	White-Rodgers
50A62-820	21D83M-843	Furnace Ctl.	White-Rodgers
50A65 843S1	50M56X-843	Furnace Ctl.	White-Rodgers
50A65-120	50M56X-843, 50A65-843, 50M56U-843	Furnace Ctl.	White-Rodgers
50A65-121	50M56X-843, 50A65-843, 50M56U-843	Furnace Ctl.	White-Rodgers
50A65-143	50M56X-843, 50A65-843, 50M56U-843	Furnace Ctl.	White-Rodgers
50A65-288	50M56X-843, 50A65-843, 50M56U-843	Furnace Ctl.	White-Rodgers
50A65-289	50M56X-843, 50M56U-843	Furnace Ctl.	White-Rodgers
50A65-474	50M56X-843, 50A65-5165, 50A65-843	Furnace Ctl.	White-Rodgers
50A65-475	50M56X-843, 50A65-5165, 50A65-843	Furnace Ctl.	White-Rodgers
50A65-476	50M56X-843, 50A65-5165, 50A65-843	Furnace Ctl.	White-Rodgers
50A65-5165	50M56X-843, 50A65-5165, 50A65-843	Furnace Ctl.	White-Rodgers
50A65-843	50M56X-843, 50A65-843, 50M56U-843	Furnace Ctl.	White-Rodgers
50A66-122	50M56X-843, 50A66-743, 50M56U-843	Furnace Ctl.	White-Rodgers
50A66-123	50M56X-843, 50A66-743, 50M56U-843	Furnace Ctl.	White-Rodgers
50A66-743	50M56X-843, 50A66-743, 50M56U-843	Furnace Ctl.	White-Rodgers

PART REPLACING	SUGGESTED REPLACEMENT(S)	PRODUCT CATEGORY	COMPANY NAME
50A66-843	50M56X-843, 21D83M-843, 50M56U-843	Furnace Ctl.	White-Rodgers
50A66-843B1	50M56X-843	Furnace Ctl.	White-Rodgers
50A67-476	50M56X-843, 50X57-843	Furnace Ctl.	White-Rodgers
50A67-507	50M56X-843, 50X57-843	Furnace Ctl.	White-Rodgers
50B47-1	50D50U-843	Ign. Module	White-Rodgers
50B47-11	50D50U-843	Ign. Module	White-Rodgers
50B47-2	50D50U-843	Ign. Module	White-Rodgers
50B47-202	50D50U-843	Ign. Module	White-Rodgers
50B47-21	50D50U-843	Ign. Module	White-Rodgers
50B47-22	50D50U-843	Ign. Module	White-Rodgers
50B47-241	50D50U-843	Ign. Module	White-Rodgers
50B47-251	50D50U-843	Ign. Module	White-Rodgers
50B47-261	50D50U-843	Ign. Module	White-Rodgers
50B47-271	50D50U-843	Ign. Module	White-Rodgers
50B47-272	50D50U-843	Ign. Module	White-Rodgers
50B47-281	50D50U-843	Ign. Module	White-Rodgers
50B47-282	50D50U-843	Ign. Module	White-Rodgers
50B47-31	50D50U-843	Ign. Module	White-Rodgers
50B47-32	50D50U-843	Ign. Module	White-Rodgers
50B47-41	50D50U-843	Ign. Module	White-Rodgers
50B47-451	50D50U-843	Ign. Module	White-Rodgers
50B47-480	50D50U-843	Ign. Module	White-Rodgers
50B47-50	50D50U-843	Ign. Module	White-Rodgers
50B47-51	50D50U-843	Ign. Module	White-Rodgers
50B47-6	50D50U-843	Ign. Module	White-Rodgers
50B47-60	50D50U-843	Ign. Module	White-Rodgers
50B47-61	50D50U-843	Ign. Module	White-Rodgers
50B47-70	50D50U-843	Ign. Module	White-Rodgers
50B47-71	50D50U-843	Ign. Module	White-Rodgers
50B47-81	50D50U-843	Ign. Module	White-Rodgers
50B48-1	50D50U-843	Ign. Module	White-Rodgers
50B48-102	50D50U-843	Ign. Module	White-Rodgers
50B48-201	50D50U-843	Ign. Module	White-Rodgers
50B48-203	50D50U-843	Ign. Module	White-Rodgers
50B48-301	50D50U-843	Ign. Module	White-Rodgers
50B48-4	50D50U-843	Ign. Module	White-Rodgers
50B48-6	50D50U-843	Ign. Module	White-Rodgers
50B49-1	50D50U-843	Ign. Module	White-Rodgers
50B49-102	50D50U-843	Ign. Module	White-Rodgers
50C49-251	50D50U-843	Ign. Module	White-Rodgers
50C49-261	50D50U-843	Ign. Module	White-Rodgers
50C49-271	50D50U-843	Ign. Module	White-Rodgers
50C49-281	50D50U-843	Ign. Module	White-Rodgers
50C49-283	50D50U-843	Ign. Module	White-Rodgers
50C49-285	50D50U-843	Ign. Module	White-Rodgers
50C49-480	50D50U-843	Ign. Module	White-Rodgers
50C49-481	50D50U-843	Ign. Module	White-Rodgers
50C49-50	50D50U-843	Ign. Module	White-Rodgers
50C49-51	50D50U-843	Ign. Module	White-Rodgers
50C49-71	50D50U-843	Ign. Module	White-Rodgers
50C49-82	50D50U-843	Ign. Module	White-Rodgers
50C49-83	50D50U-843	Ign. Module	White-Rodgers
50C51-289-01	50C51-707	Furnace Ctl.	White-Rodgers
50C51-289-02	50C51-707	Furnace Ctl.	White-Rodgers



## CROSS REFERENCE

PART REPLACING	SUGGESTED REPLACEMENT(S)	PRODUCT CATEGORY	COMPANY NAME
50F47-140	50E47U-843, 50E47-843	Ign. Module	White-Rodgers
50F47-160	50E47U-843, 50E47-843	Ign. Module	White-Rodgers
50F47-40	50E47U-843, 50E47-843	Ign. Module	White-Rodgers
50F47-60	50E47U-843, 50E47-843	Ign. Module	White-Rodgers
50G47-1	50E47U-843, 50E47-843	Ign. Module	White-Rodgers
50G47-130	50E47U-843, 50E47-843	Ign. Module	White-Rodgers
50G47-140	50E47U-843, 50E47-843	Ign. Module	White-Rodgers
50G47-150	50E47U-843, 50E47-843	Ign. Module	White-Rodgers
50G47-160	50E47U-843, 50E47-843	Ign. Module	White-Rodgers
50G47-40	50E47U-843, 50E47-843	Ign. Module	White-Rodgers
50G47-60	50E47U-843, 50E47-843	Ign. Module	White-Rodgers
50H47-475	50M56X-843	Furnace Ctl.	White-Rodgers
50H47-476	50M56X-843	Furnace Ctl.	White-Rodgers
50H47-495	50M56X-843	Furnace Ctl.	White-Rodgers
50H47-496	50M56X-843	Furnace Ctl.	White-Rodgers
50H47-497	50M56X-843	Furnace Ctl.	White-Rodgers
50I56D-905	50I56D-905	Smart Valve	White-Rodgers
50M51-242	21M51U-843	Furnace Ctl.	White-Rodgers
50M51-495	21M51U-843	Furnace Ctl.	White-Rodgers
50M51-743	21M51U-843	Furnace Ctl.	White-Rodgers
50M51-843	21M51U-843	Furnace Ctl.	White-Rodgers
50M56-201	50M56X-843, 50M56U-843	Furnace Ctl.	White-Rodgers
50M56-281	50M56X-843, 50M56-707, 50M56U-843	Furnace Ctl.	White-Rodgers
50M56-289	50M56X-843	Furnace Ctl.	White-Rodgers
50M56-290	50M56X-843, 50M56-743	Furnace Ctl.	White-Rodgers
50M56-291	50M56X-843, 50M56-707, 50M56U-843	Furnace Ctl.	White-Rodgers
50M56-486	50M56X-843, 50M56U-843	Furnace Ctl.	White-Rodgers
50M56-495	50M56X-843, 50M56U-843	Furnace Ctl.	White-Rodgers
50M56-707	50M56X-843, 50M56-707, 50M56U-843	Furnace Ctl.	White-Rodgers
50M56-801	50M56X-843	Furnace Ctl.	Lennox
50M56-843	50M56X-843, 50M56U-843	Furnace Ctl.	White-Rodgers
50M56D-751	50M56D-751	Furnace Ctl.	White-Rodgers
50M56U-751	50M56X-843	Furnace Ctl.	White-Rodgers
50M56U-801	50M56X-843	Furnace Ctl.	Lennox
50M56U-843	50M56U-843, 50M56X-843	Furnace Ctl.	White-Rodgers
50M56X-843	50M56X-843	Furnace Ctl.	White-Rodgers
50M58-289-01	50M58-707	Furnace Ctl.	White-Rodgers
50M58-289-02	50M58-707	Furnace Ctl.	White-Rodgers
50M58-289-03	50M58-707	Furnace Ctl.	White-Rodgers
50M58-707	50M58-707	Furnace Ctl.	White-Rodgers
50M61-120	21M51U-843	Furnace Ctl.	White-Rodgers
50M61-288	21M51U-843	Furnace Ctl.	White-Rodgers
50M61-289	21M51U-843	Furnace Ctl.	White-Rodgers
50M61-495	21M51U-843	Furnace Ctl.	White-Rodgers
50M61-843	21M51U-843	Furnace Ctl.	White-Rodgers
50N02-400	50N02A-820	RTU Control	White-Rodgers
50N02-401	50N02A-820	RTU Control	White-Rodgers
50N02-495	50N02A-820	RTU Control	White-Rodgers
50N02-495-01	50N02A-820	RTU Control	White-Rodgers
50N02-495-02	50N02A-820	RTU Control	White-Rodgers
50N02A-820	50N02A-820	RTU Control	White-Rodgers

PART REPLACING	SUGGESTED REPLACEMENT(S)	PRODUCT CATEGORY	COMPANY NAME
50N02B-820	50N02B-820	RTU Control	White-Rodgers
50PK74	789A-751A1	Ignitor	Grainger
50T35 743	50M56X-843	Furnace Ctl.	Goodman
50T35730	50M56X-843	Furnace Ctl.	Texas Inst.
50T35-730	50M56X-843, 50T35-743, 50M56U-843	Furnace Ctl.	White-Rodgers
50T35-730-1	50M56X-843, 50T35-743, 50M56U-843	Furnace Ctl.	White-Rodgers
50T35743	50M56X-843	Furnace Ctl.	Texas Inst.
50T35-743	50M56X-843, 50T35-743, 50M56U-843	Furnace Ctl.	White-Rodgers
50T55-288	50M56X-843, 50M56U-843	Furnace Ctl.	White-Rodgers
50T55-289	50M56X-843	Furnace Ctl.	White-Rodgers
50V51-243	21V51U-843	Furnace Ctl.	White-Rodgers
50V51-288	21V51U-843	Furnace Ctl.	White-Rodgers
50V51-289	21V51U-843	Furnace Ctl.	White-Rodgers
50V51-290	21V51U-843	Furnace Ctl.	White-Rodgers
50V51-507	21V51U-843	Furnace Ctl.	White-Rodgers
50V51-751	21V51D-751	Furnace Ctl.	White-Rodgers
50V51-843	21V51U-843	Furnace Ctl.	White-Rodgers
50V54-507	50V54-820	Furnace Ctl.	White-Rodgers
50V54-571	50V54-820	Furnace Ctl.	White-Rodgers
50V54-820	50V54-820	Furnace Ctl.	White-Rodgers
50V61-120	21V51U-843	Furnace Ctl.	White-Rodgers
50V61-121	21V51U-843	Furnace Ctl.	White-Rodgers
50V61-143	21V51U-843	Furnace Ctl.	White-Rodgers
50V61-288	21V51U-843	Furnace Ctl.	White-Rodgers
50V61-289	21V51U-843	Furnace Ctl.	White-Rodgers
50V61-480	21V51U-843	Furnace Ctl.	White-Rodgers
50V61-486	21V51U-843	Furnace Ctl.	White-Rodgers
50V61-507	21V51U-843	Furnace Ctl.	White-Rodgers
50V64-495	50V54-820	Furnace Ctl.	White-Rodgers
50V64-507	50V54-820	Furnace Ctl.	White-Rodgers
50V64-743	50V54-820	Furnace Ctl.	White-Rodgers
50X57-289-01	50M56X-843	Furnace Ctl.	White-Rodgers
50X57-289-01B1	50M56X-843	Furnace Ctl.	White-Rodgers
50X57-843	50M56X-843	Furnace Ctl.	White-Rodgers
510506	25M01A-100	Gas Valve	Alliance
511-044-327	36H32-214, 36H32-304	Gas Valve	Weil-McLain
511-044-328	36H32-214, 36H32-304	Gas Valve	Weil-McLain
511-044-353	36H32-423	Gas Valve	Weil-McLain
511-044-354	36G32-500, 36H32-214, 36H32-304	Gas Valve	Weil-McLain
511-044-355	36H32-423	Gas Valve	Weil-McLain
511-044-367	36H32-214, 36H32-304, 36H32-423	Gas Valve	Weil-McLain
511-044-373	36H32-214, 36H32-304, 36H32-423	Gas Valve	Weil-McLain
511-044-381	36G32-500, 36H32-214, 36H32-304	Gas Valve	Weil-McLain
511-044-382	36C74-913	Gas Valve	Weil-McLain
511-330-095	50D50U-843	Ign. Module	Weil-McLain
511-330-097	50D50U-843	Ign. Module	Weil-McLain
511-330-099	50D50U-843	Ign. Module	Weil-McLain
511-330-111	5059-134	Pilot Control	Weil-McLain
511-330-139	767A-370, 21D64-2	Ignitor	Weil-McLain
511-330-183	21D64-44	Ignitor	Weil-McLain
511-330-188	767A-374	Ignitor	Weil-McLain
511-330-190	767A-382, 21D64-2	Ignitor	Weil-McLain
511-330-193	767A-370, 21D64-2	Ignitor	Weil-McLain

## CROSS REFERENCE

PART REPLACING	SUGGESTED REPLACEMENT(S)	PRODUCT CATEGORY	COMPANY NAME
511-724-262	3098-134	Flame Sensor	Weil-McLain
511-724-263	3098-156	Flame Sensor	Weil-McLain
511-724-277	3098-156	Flame Sensor	Weil-McLain
511-724-278	3098-134	Flame Sensor	Weil-McLain
51500014401	36H32-423	Gas Valve	Hayward
51500014501	36H32-423	Gas Valve	Hayward
51585	760-401, 790-843A1	Flame Sensor	Peerless
517010030011001	50D50U-843	Ign. Module	Capable
517010030021001	50D50U-843	Ign. Module	Capable
5188896	36H64-463	Gas Valve	York
5188897	36H32-423	Gas Valve	York
51M4901	36j24-214, 36H33-412	Gas Valve	White-Rodgers
51P8901	36C03-300, 36C03-333, 36C03-433	Gas Valve	Lennox
51P9001	36C03-400, 36C03-433	Gas Valve	Lennox
521010000004001	50D50U-843	Ign. Module	Capable
521010000006000	50D50U-843	Ign. Module	Capable
521010000011001	50D50U-843	Ign. Module	Capable
52129	36H32-423	Gas Valve	Henny Penny
52530836000	36C03-433	Gas Valve	York
52530838000	36H32-423	Gas Valve	York
525-30843-000	36H32-304, 36H33-423	Gas Valve	York
52537064000	36C03-300	Gas Valve	York
52537065000	36C03-333	Gas Valve	York
52537066000	36C03-400	Gas Valve	York
52537068000	36C03U-333	Gas Valve	York
52537070000	36C94-303	Gas Valve	York
525-37070-000	36C94-303	Gas Valve	York
52537071000	36H65-401	Gas Valve	York
52537074000	50M56X-843, 50A55-843, 50M56U-843	Furnace Ctl.	York
52537077000	50M56X-843, 50A55-843, 50M56U-843	Furnace Ctl.	York
525-37084-000	30A46-5	Flame Sensor	York
525-37088-000	3098-134	Flame Sensor	York
52537089000	3098-156	Flame Sensor	York
52537091000	5059-134	Pilot Control	York
5253733900	50M56X-843, 50M56U-843	Furnace Ctl.	York
52M72	790-843A1, 790-843A5PK	Flame Sensor	Lennox
52W29	790-843A1, 790-843A5PK	Flame Sensor	Lennox
5303281147	25M01A-100	Gas Valve	Electrolux
53-2908	25M01A-101	Gas Valve	Maytag
53-3288	25M01A-101	Gas Valve	Whirlpool
535-733B	791P-751KT1	Pilot Control	Carrier
535-740	791P-751KT1	Pilot Control	Carrier
535-740A	791P-751KT1	Pilot Control	Carrier
539617	50M56X-843, 50A56-956, 50M56U-843	Furnace Ctl.	York
53L90	50D50-801	Ign. Module	Lennox
53L9001	50D50-801	Ign. Module	Lennox
542760	50M56X-843, 50X57-843	Furnace Ctl.	York
542766	21V51U-843	Furnace Ctl.	York
542767	21M51U-843	Furnace Ctl.	York
54388	50D50U-843	Ign. Module	Blodgett
5450-1	36G32-500	Gas Valve	Honeywell

PART REPLACING	SUGGESTED REPLACEMENT(S)	PRODUCT CATEGORY	COMPANY NAME
5450-2	36G32-500	Gas Valve	Honeywell
545410000021001	50D50U-843	Ign. Module	Capable
545410030004001	50D50U-843	Ign. Module	Capable
545410030006001	50D50U-843	Ign. Module	Capable
549010000021001	50D50U-843	Ign. Module	Capable
549410000004001	50D50U-843	Ign. Module	Capable
549410000006001	50D50U-843	Ign. Module	Capable
549410000011001	50D50U-843	Ign. Module	Capable
5500455	36j24-214	Gas Valve	York
56289	36H32-423	Gas Valve	Keating
56L83	21D83M-843	Furnace Ctl.	Lennox
56L8301	21D83M-843	Furnace Ctl.	Lennox
56L84	50M56X-843, 50A65-843, 50M56U-843	Furnace Ctl.	Lennox
56L8401	50M56X-843, 50A65-843, 50M56U-843	Furnace Ctl.	Lennox
56L85	50M56X-843	Furnace Ctl.	Lennox
56L8501	50M56X-843, 50M56U-801, 50A55-843	Furnace Ctl.	Lennox
56M37	47D01U-843	Defrost Ctl.	Lennox
56M3701	47D01U-843	Defrost Ctl.	Lennox
56W19	50M56X-843, 50M56U-801, 50M56U-843	Furnace Ctl.	Lennox
56W1901	50M56X-843	Furnace Ctl.	Lennox
56W61	767A-380	Ignitor	Armstrong
571-044-284	36C84-923	Gas Valve	Weil-McLain
571-044-285	36C84-923	Gas Valve	Weil-McLain
571044288	36C84-912	Gas Valve	Weil-McLain
571-044-288	36C84-912	Gas Valve	Weil-McLain
571044320	36C74-913	Gas Valve	Weil-McLain
571-044-320	36C74-913	Gas Valve	Weil-McLain
571-330-192	760-802, 790-843A1	Flame Sensor	Weil-McLain
571-724-263	3098-156	Flame Sensor	Weil-McLain
572D366G	25M01A-101	Gas Valve	Mabe
572D366G01	25M01A-101	Gas Valve	Mabe
572D366G04	25M01A-101	Gas Valve	Camco
57T01-1	57T01-843	Time Delay	White-Rodgers
57T01-2	57T01-843	Time Delay	White-Rodgers
57T01-843	57T01-843	Time Delay	White-Rodgers
58804	25M01A-100	Gas Valve	Whirlpool
58A5701	36C03A-410	Gas Valve	Lennox
58C9101	50D50U-843	Ign. Module	Lennox
58H28	47D01U-843	Defrost Ctl.	Lennox
58H2801	47D01U-843	Defrost Ctl.	Lennox
58K73	36G33-500	Gas Valve	Honeywell
58K7301	36G33-500, 36H33-412	Gas Valve	Lennox
58K7401	36H33-412	Gas Valve	Lennox
592057	36H64-463	Gas Valve	Essick Air Pro
59-40650-02	5059-134	Pilot Control	Rheem
5E763	36C03-433	Gas Valve	Grainger
5E764	36C03-433	Gas Valve	Grainger
5E765	36C03-433	Gas Valve	Grainger
5E766	36H32-304	Gas Valve	Grainger
5E809	767A-356	Ignitor	Grainger



# CROSS REFERENCE

PART REPLACING	SUGGESTED REPLACEMENT(S)	PRODUCT CATEGORY	COMPANY NAME
5E810	767A-357, 21D64-2	Ignitor	Grainger
5E811	767A-361, 21D64-2	Ignitor	Grainger
5E812	767A-365, 21D64-2	Ignitor	Grainger
5E813	767A-366, 21D64-2	Ignitor	Grainger
5H0730180001	36H64-463	Gas Valve	Modine
5H0730180002	36H64-463	Gas Valve	Modine
5H0732070002	36H32-423	Gas Valve	Modine
5H0736010001	36H32-214, 36H32-304, 36H32-423	Gas Valve	Modine
5H0736010002	36H32-304, 36H32-423	Gas Valve	Modine
5H0736840001	36H32-214, 36H32-304, 36H32-423	Gas Valve	Modine
5H0750310000	790-843A1, 790-843A5PK	Flame Sensor	Modine
5H0755060001	36H32-214, 36H32-304, 36H32-423	Gas Valve	Modine
5H0797480000	36J54-214	Gas Valve	Modine
5H0797500000	36H33-412	Gas Valve	Modine
5H0797510000	36J22-214, 36H32-423	Gas Valve	Modine
5H0798050000	36H65-401	Gas Valve	Modine
5H0798690000	36J22-214, 36H32-423	Gas Valve	Modine
5H0798700000	36H33-412	Gas Valve	Modine
5H0798710000	36J54-214	Gas Valve	Modine
5H0798720000	36H65-401	Gas Valve	Modine
5H0806810000	36G32-500, 36H32-214	Gas Valve	Modine
5H0806820000	36G32-500	Gas Valve	Honeywell
5H0806830000	36H32-423	Gas Valve	Modine
5H0806840000	36H32-423	Gas Valve	Modine
5H0806850000	36H64-463	Gas Valve	Modine
5H0806860000	36H64-463	Gas Valve	Modine
5H0806870000	36H64-463	Gas Valve	Modine
5H0806880000	36H64-463	Gas Valve	Modine
5H0819190000	36J24-214	Gas Valve	Modine
5H0819360000	36J24-214	Gas Valve	Modine
5H0819450000	36J24-214	Gas Valve	Modine
5H0827310000	36J55-214	Gas Valve	Modine
5H0827320000	36J55-214	Gas Valve	Modine
5H0827330000	36J55-214	Gas Valve	Modine
5H0838000000	36H32-423	Gas Valve	Modine
5H0839200000	36J22-214	Gas Valve	Modine
5H0847430000	50D50U-843	Ign. Module	Modine
5H3207B1	36H32-214, 36H32-304, 36H32-423	Gas Valve	Modine
5H4052 B2	36C03-433	Gas Valve	Modine
5H73017B0002	36H64-463	Gas Valve	Modine
5H73122B1	36C03-433, 36C03-400	Gas Valve	Modine
5H73122B2	36C03-433, 36C03-400	Gas Valve	Modine
5H73207B3	36H32-304, 36H32-423	Gas Valve	Modine
5H73601B0001	36H32-214, 36H32-304, 36H32-423	Gas Valve	Modine
5H73684B0002	36H32-304, 36H32-423	Gas Valve	Modine
5H74052 B1	36C03-433, 36C03-400	Gas Valve	Modine
5H75031	790-843A1, 790-843A5PK	Flame Sensor	Modine
5H75032A	21D64-44	Ignitor	Modine
5H76032A	21D64-2, 21D64-44	Ignitor	Modine
5H80689	50D50U-843	Ign. Module	Modine
6 3060840	25M01A-100	Gas Valve	Whirlpool
6 3061760	25M01A-101	Gas Valve	Whirlpool
6 3083450	25M01A-101	Gas Valve	Whirlpool

PART REPLACING	SUGGESTED REPLACEMENT(S)	PRODUCT CATEGORY	COMPANY NAME
600032	30A46-5	Flame Sensor	ICP
6001	764-742	Gas Valve	White-Rodgers
6002	764-742	Gas Valve	White-Rodgers
600915	767A-370, 21D64-2	Ignitor	Raypak
601	767A-378, 21D64-2	Ignitor	Amana
60-101921-01	36J55-214, 36H65-401	Gas Valve	Rheem
60-101921-02	36J55-214, 36H65-401	Gas Valve	Rheem
60-101921-03	36J55-214	Gas Valve	Rheem
60-101921-04	36J55-214	Gas Valve	Rheem
60-101921-05	36J55-214	Gas Valve	Rheem
60-101921-06	36J55-214	Gas Valve	Rheem
60-102405-01	36J55-214, 36H65-401	Gas Valve	Rheem
60-102405-02	36J55-214	Gas Valve	Rheem
60-102405-03	36J55-214	Gas Valve	Rheem
60-102405-04	36J55-214	Gas Valve	Rheem
60102602	50D50U-843	Ign. Module	Pitco
60-102787-01	36J27-554	Gas Valve	Rheem
60-102787-02	36J27-554	Gas Valve	Rheem
60-102787-05	36J27-554	Gas Valve	Rheem
60-103901-01	36J24-214	Gas Valve	Rheem
60-103901-01S	36J24-214	Gas Valve	Rheem
60-103901-02	36J24-214	Gas Valve	Rheem
60-105663-01	36G32-500	Gas Valve	Rheem
60-106075-01	36H64-463	Gas Valve	Rheem
60-106207-01	36J24-214	Gas Valve	Rheem
60113501	36G32-500	Gas Valve	Honeywell
60113502	36G32-500	Gas Valve	Honeywell
60113503	36G32-500	Gas Valve	Honeywell
601XBM-2.5	767A-379	Ignitor	Norton
601XBM-2.5-KIT	767A-381	Ignitor	Norton
601XBM-4.0	767A-380	Ignitor	Norton
60-20714-70	36C84-921	Gas Valve	Rheem
60-22525-05	36G32-500	Gas Valve	Rheem
60-22526-01	36G33-500	Gas Valve	Rheem
60-22745-01	36G32-500	Gas Valve	Rheem
60-23490-01	36J24-214	Gas Valve	Rheem
60-23490-02	36H32-214, 36H32-304, 36H32-423	Gas Valve	Rheem
60-23490-04	36J54-214, 36H64-463	Gas Valve	Rheem
60-23490-05	36J54-214, 36H64-463	Gas Valve	Rheem
60-23490-06	36H32-214, 36H32-304	Gas Valve	Rheem
60-23490-07	36J55-214	Gas Valve	Rheem
60-23490-08	36J55-214	Gas Valve	Rheem
60-23490-09	36J55-214	Gas Valve	Rheem
60-23490-11	36J55-214, 36H65-401	Gas Valve	Rheem
60-23490-12	36J55-214, 36H65-401	Gas Valve	Rheem
60-23490-13	36J55-214, 36H65-401	Gas Valve	Rheem
60-23490-14	36J55-214	Gas Valve	Rheem
60-24180-01	36J24-214, 36H33-412	Gas Valve	Rheem
60-24290-01	36J24-214	Gas Valve	Rheem
60-24290-02	36J24-214	Gas Valve	Rheem
60-25076-02	36G32-500	Gas Valve	Rheem
60270-002	36C03-433	Gas Valve	Wayne Comb.
60353	25M01A-100	Gas Valve	Whirlpool

## CROSS REFERENCE

PART REPLACING	SUGGESTED REPLACEMENT(S)	PRODUCT CATEGORY	COMPANY NAME
60-42227-01	36H64-463	Gas Valve	Rheem
60-42228-01	36H64-463	Gas Valve	Rheem
60-42508-01	36H64-463	Gas Valve	Rheem
606360	50D50U-843	Ign. Module	Carrier
60667	25M01A-100	Gas Valve	Alliance
607010	36H64-463	Gas Valve	Rheem
607436-01	50M56X-843, 50X57-843	Furnace Ctl.	Lennox
607436-02	50M56X-843, 50X57-843	Furnace Ctl.	Lennox
607436-03	50M56X-843, 50X57-843	Furnace Ctl.	Lennox
60J2101	36J22-214	Gas Valve	Lennox
60J5901	36H32-214, 36H32-304	Gas Valve	Lennox
60J9101	36C74-913	Gas Valve	Lennox
60J9201	36C74-913	Gas Valve	Lennox
60L5301	36J24-214	Gas Valve	Lennox
60L6101	36J24-214	Gas Valve	Lennox
60P5701	36C03U-333, 36C03U-433	Gas Valve	Lennox
6103	764-742	Gas Valve	Portable Heater
61F3	50M56X-843, 50M56U-843	Furnace Ctl.	Texas Inst.
61H42	47D01U-843	Defrost Ctl.	Lennox
61H4201	47D01U-843	Defrost Ctl.	Lennox
620880	47D01U-843	Defrost Ctl.	Nortek
6208800	47D01U-843	Defrost Ctl.	Intertherm
621-112-I	47D01U-843	Defrost Ctl.	Lennox
621301A	47D01U-843	Defrost Ctl.	Nortek
621-500	47D01U-843	Defrost Ctl.	Carrier
621-505	47D01U-843	Defrost Ctl.	Carrier
621-509	47D01U-843	Defrost Ctl.	Carrier
621579B	47D01U-843	Defrost Ctl.	Nortek
621579C	47D01U-843	Defrost Ctl.	Nortek
62-18094-01	30A46-5	Flame Sensor	Rheem
621-83-4B	47D01U-843	Defrost Ctl.	Lennox
621-83-550D	47D01U-843	Defrost Ctl.	Carrier
621-83-550H	47D01U-843	Defrost Ctl.	Carrier
621-83-550L	47D01U-843	Defrost Ctl.	Carrier
621-xxx	47D01U-843	Defrost Ctl.	Carrier
62-21002-02	5059-134	Pilot Control	Rheem
62-21004-02	3098-134	Flame Sensor	Rheem
62-21426-01	3098-134	Flame Sensor	Rheem
62-21426-02	3098-156	Flame Sensor	Rheem
62-22441-01	767A-372, 21D64-2	Ignitor	Rheem
62-22669-02	21D64-44	Ignitor	Rudd
62-22694-01	50M56X-843, 50M56U-843	Furnace Ctl.	Rheem
62-22694-02	50M56X-843, 50M56U-843	Furnace Ctl.	Rheem
62-22694-03	50M56X-843, 50M56U-843	Furnace Ctl.	Rheem
62-22694-11	50M56X-843, 50M56U-843	Furnace Ctl.	Rheem
62-22694-12	50M56X-843, 50M56U-843	Furnace Ctl.	Rheem
62-22694-82	50M56X-843, 50M56U-843	Furnace Ctl.	Rheem
62-22694-83	50M56X-843, 50M56U-843	Furnace Ctl.	Rheem
62-22694-91	50M56X-843, 50M56U-843	Furnace Ctl.	Rheem
62-22737-06	50M56X-843, 50M56U-843	Furnace Ctl.	Rheem
62-22737-07	50M56X-843, 50M56U-843	Furnace Ctl.	Rheem
62-22737-08	50M56X-843, 50M56U-843	Furnace Ctl.	Rheem
62-22737-10	50M56X-843, 50M56U-843	Furnace Ctl.	Rheem

PART REPLACING	SUGGESTED REPLACEMENT(S)	PRODUCT CATEGORY	COMPANY NAME
62-22737-87	50M56X-843, 50M56U-843	Furnace Ctl.	Rheem
62-22737-88	50M56X-843, 50M56U-843	Furnace Ctl.	Rheem
62-22868-02	767A-371, 21D64-2	Ignitor	Rheem
62-22868-82	767A-383, 21D64-2	Ignitor	Rheem
62-22868-93	767A-371, 21D64-2	Ignitor	Rheem
62-23543-01	790-843A1, 790-843A5PK	Flame Sensor	Rheem
62-23543-02	790-843A1, 790-843A5PK	Flame Sensor	Rheem
62-23543-05	790-843A1, 790-843A5PK	Flame Sensor	Rheem
62-23543-06	790-843A1, 790-843A5PK	Flame Sensor	Rheem
62-23543-08	790-843A1, 790-843A5PK	Flame Sensor	Rheem
62-23554-02	50D50U-843	Ign. Module	Rheem
62-24044-01	50M56X-843, 50M56U-843	Furnace Ctl.	Rheem
62-24044-81	50M56X-843, 50M56U-843	Furnace Ctl.	Rheem
62-24044-91	50M56X-843, 50M56U-843	Furnace Ctl.	Rheem
62-24045-01	50M56X-843, 50M56U-843	Furnace Ctl.	Rheem
62-24046-01	50M56X-843, 50M56U-843	Furnace Ctl.	Rheem
62-24084-01	50M56X-843, 50M56U-843	Furnace Ctl.	Rheem
62-24084-02	50M56X-843, 50M56U-843	Furnace Ctl.	Rheem
62-24084-71	50M56X-843, 50M56U-843	Furnace Ctl.	Rheem
62-24084-82	50M56X-843, 50M56U-843	Furnace Ctl.	Rheem
62-24084-91	50M56X-843, 50M56U-843	Furnace Ctl.	Rheem
62-24084-92	50M56X-843, 50M56U-843	Furnace Ctl.	Rheem
62-24134-02	768A-844	Ignitor	Rheem
62-24268-01	50M56X-843, 50M56U-843	Furnace Ctl.	Rheem
62-24268-02	50M56X-843, 50M56U-843	Furnace Ctl.	Rheem
62-24268-03	50M56X-843, 50M56U-843	Furnace Ctl.	Rheem
62246-002	36H32-423	Gas Valve	Wayne Comb.
62285	50D50U-843	Ign. Module	Middleby
62374	21D64-44	Ignitor	EZ Flow
62374-003	36H32-423	Gas Valve	Wayne Comb.
624519A	47D01U-843	Defrost Ctl.	Nortek
6245350	36C03-333, 36C03-300, 36C03-433	Gas Valve	Nortek
6245370	36C03-300, 36C03-333, 36C03-433	Gas Valve	Nortek
624557	50M56X-843, 50M56U-843	Furnace Ctl.	Nortek
6245570	50M56X-843, 50M56U-843	Furnace Ctl.	Nortek
624557-0	50M56X-843	Furnace Ctl.	Nordyne
624564	50M56X-843, 50M56U-843	Furnace Ctl.	Nortek
6245640	50M56X-843, 50M56U-843	Furnace Ctl.	Nortek
624591	50M56X-843, 50M56U-843	Furnace Ctl.	Nortek
624591A	50M56X-843	Furnace Ctl.	Nordyne
624591-A	50M56X-843, 50M56U-843	Furnace Ctl.	Nortek
624591-B	50M56X-843, 50M56U-843	Furnace Ctl.	Nortek
624591-C	50M56X-843, 50M56U-843	Furnace Ctl.	Nortek
624591-D	50M56X-843, 50M56U-843	Furnace Ctl.	Nortek
6246000	36H64-463	Gas Valve	Nortek
624608	47D01U-843	Defrost Ctl.	Nortek
6246110	36H64-463	Gas Valve	Nortek
624626	47D01U-843	Defrost Ctl.	Nortek
624628	50M56X-843, 50M56U-843	Furnace Ctl.	Nortek
624628-0	50M56X-843, 50M56U-843	Furnace Ctl.	Nortek
624631(A)	50M56X-843	Furnace Ctl.	Nordyne
6246310	50M56X-843, 50M56U-843	Furnace Ctl.	Nortek
624631-0	50M56X-843, 50M56U-843	Furnace Ctl.	Nortek

# CROSS REFERENCE

PART REPLACING	SUGGESTED REPLACEMENT(S)	PRODUCT CATEGORY	COMPANY NAME
624631A	50M56X-843, 50M56U-843	Furnace Ctl.	Nortek
624631-A	50M56X-843, 50M56U-843	Furnace Ctl.	Nortek
624631B	50M56X-843, 50M56U-843	Furnace Ctl.	Nortek
624631-B	50M56X-843, 50M56U-843	Furnace Ctl.	Nortek
624633	47D01U-843	Defrost Ctl.	Nortek
624644	47D01U-843	Defrost Ctl.	Nortek
6246450	36J22-214, 36H32-423	Gas Valve	Nortek
624656	47D01U-843	Defrost Ctl.	Nortek
624690	50M56X-843, 50M56U-843	Furnace Ctl.	Nortek
624695	36H64-463	Gas Valve	Nortek
624733	47D01U-843	Defrost Ctl.	York
624742	50M56X-843, 50M56U-843	Furnace Ctl.	Nortek
624844	50M56X-843, 50M56U-843	Furnace Ctl.	Nortek
6250-1	50E47U-843	Ign. Module	Crown Steam
625040	50D50U-843	Ign. Module	Rheem
625042	50D50U-843	Ign. Module	Rheem
626-421-B	50E47U-843	Ign. Module	UTEC
62821-001	767A-371, 21D64-2	Ignitor	Wayne Comb.
62821-002	767A-371, 21D64-2	Ignitor	Wayne Comb.
62959	25M01A-100	Gas Valve	Whirlpool
6-3060840	25M01A-100	Gas Valve	Maytag
6-3061760	25M01A-101	Gas Valve	Maytag
630822	25M01A-100	Gas Valve	Mansfield
6-3083450	25M01A-101	Gas Valve	Maytag
6320770	21D64-44	Ignitor	Nordyne
632-0770	767A-371, 21D64-2	Ignitor	Nortek
6320880	21D64-44	Ignitor	Frigidaire
632-0880	767A-371, 21D64-2	Ignitor	Nortek
6323540	21D64-44	Ignitor	Frigidaire
632484R	790-843A1, 790-843A5PK	Flame Sensor	Nortek
63466	767A-369	Ignitor	Robertshaw
63-6786	25M01A-101	Gas Valve	Whirlpool
63878-001	36J24-214	Gas Valve	Wayne Comb.
63K24	50D50-801	Ign. Module	Lennox
63K2401	50D50-801	Ign. Module	Lennox
63K8801	36H33-412	Gas Valve	Lennox
63K89	21D83M-843	Furnace Ctl.	Lennox
63K8901	21D83M-843	Furnace Ctl.	Lennox
63W26	21M51U-843	Furnace Ctl.	Lennox
63W27	21V51U-843	Furnace Ctl.	Lennox
642768	21V51U-843	Furnace Ctl.	York
64356	790-843A1, 790-843A5PK	Flame Sensor	Middleby
65201500	36C74-913	Gas Valve	Heatcraft
65208000	36C74-913	Gas Valve	Heatcraft
65867	21D83M-843	Furnace Ctl.	Lennox
65K93	50D50-801	Ign. Module	Lennox
65K9301	50D50-801	Ign. Module	Lennox
661923	767A-369	Ignitor	Barnett Brass
661924	21D64-44	Ignitor	Barnett Brass
661926	21D64-44	Ignitor	Barnett Brass
661927	21D64-44	Ignitor	Barnett Brass
67100	36H33-412	Gas Valve	ECT Suzhou
67143	36J54-214, 36H64-463	Gas Valve	York

PART REPLACING	SUGGESTED REPLACEMENT(S)	PRODUCT CATEGORY	COMPANY NAME
67297	47D01U-843	Defrost Ctl.	York
67298	21M51U-843	Furnace Ctl.	York
67683	790-707A1, 790-843A1	Flame Sensor	Mars
67686	790-956A1, 790-843A1	Flame Sensor	Mars
67900	21D64-2, 21D64-44	Ignitor	Mars
67945	791P-751KT1	Pilot Control	Mars
67970	760-401, 790-843A1	Flame Sensor	Mars
68GF0015	50M56X-843, 50M56U-843	Furnace Ctl.	Mortex
68J29	47D01U-843	Defrost Ctl.	Lennox
68J2901	47D01U-843	Defrost Ctl.	Lennox
68J84	47D01U-843	Defrost Ctl.	Lennox
68J8401	47D01U-843	Defrost Ctl.	Lennox
6905032	21D64-44	Ignitor	Integra
6907309	50E47U-843	Ign. Module	Polaris
692212	25M01A-101	Gas Valve	International
695-003	50F06-843	Fan Blower Ctl.	Robertshaw
695-200	50M56X-843, 50M56U-843	Furnace Ctl.	Rheem
698154	36J24-214, 36H33-412	Gas Valve	York
698155	36J54-214	Gas Valve	York
69854	790-843A1, 790-843A5PK	Flame Sensor	Middleby
69J2101	36J22-214, 36H32-214, 36H32-304	Gas Valve	Lennox
69J36	50D50-801	Ign. Module	Lennox
69J3601	50D50-801	Ign. Module	Lennox
69J5901	36H32-214, 36H32-304	Gas Valve	Lennox
69K3601	50D50-801	Ign. Module	Lennox
69M08	50M56X-843, 50A66-743, 50M56U-843	Furnace Ctl.	Lennox
69M0801	50M56X-843, 50A66-743, 50M56U-843	Furnace Ctl.	Lennox
69M15	50M56X-843, 50A66-743, 50M56U-843	Furnace Ctl.	Lennox
69M1501	50M56X-843, 50A66-743, 50M56U-843	Furnace Ctl.	Lennox
69W43	790-801A1, 790-843A1	Flame Sensor	Lennox
69W4301	790-801A1, 790-843A1	Flame Sensor	Lennox
6DT-1	50M56X-843, 50M56U-843	Furnace Ctl.	Texas Inst.
6DT-2	50M56X-843, 50M56U-843	Furnace Ctl.	Texas Inst.
6H33WZ502	5059-134	Pilot Control	Carrier
6TT-1	47D01U-843	Defrost Ctl.	York
6TT-2	47D01U-843	Defrost Ctl.	York
6TT-3	47D01U-843	Defrost Ctl.	York
6YG-2	47D01U-843	Defrost Ctl.	York
700-051	36H64-463	Gas Valve	Robertshaw
700-055	36H32-423	Gas Valve	Robertshaw
700-056	36H33-412	Gas Valve	Robertshaw
700-400	36C03-300, 36C03-333, 36C03-433	Gas Valve	Robertshaw
700-401	36C03-400, 36C03-433	Gas Valve	Robertshaw
700-402	36C03-333, 36C03-300, 36C03-433	Gas Valve	Robertshaw
700-406	36C03-400, 36C03-433	Gas Valve	Robertshaw
700-408	36C03-333, 36C03-300, 36C03-433	Gas Valve	Robertshaw
700-412	36H32-304, 36H32-423	Gas Valve	Robertshaw
700-413	36H64-463	Gas Valve	Robertshaw
700-418	36H32-423	Gas Valve	Robertshaw
700-420	36H32-214	Gas Valve	Robertshaw

# CROSS REFERENCE

PART REPLACING	SUGGESTED REPLACEMENT(S)	PRODUCT CATEGORY	COMPANY NAME
700-426	36C53-418	Gas Valve	Robertshaw
700-428	36C53-418	Gas Valve	Robertshaw
700-450	36C01A-405	Gas Valve	Robertshaw
700-451	36C01A-405	Gas Valve	Robertshaw
700-452	36C03A-410	Gas Valve	Robertshaw
700-453	36C03A-410	Gas Valve	Robertshaw
700-454	36C03A-410	Gas Valve	Robertshaw
700-472	36C01A-405	Gas Valve	Robertshaw
700-501	36C03U-333, 36C03U-433	Gas Valve	Robertshaw
700-502	36C03U-333, 36C03U-433	Gas Valve	Robertshaw
700-503	36C03U-333, 36C03U-433	Gas Valve	Robertshaw
700-504	36C03U-333, 36C03U-433	Gas Valve	Robertshaw
700-505	36C03U-433	Gas Valve	Robertshaw
700-506	36C03U-433	Gas Valve	Robertshaw
700-508	36C03U-333, 36C03U-433	Gas Valve	Robertshaw
700-509	36C03U-333, 36C03U-433	Gas Valve	Robertshaw
700-510	36C03U-433	Gas Valve	Robertshaw
700-511	36C03U-433	Gas Valve	Robertshaw
700-512	36C03U-433	Gas Valve	Robertshaw
700-515	36C03U-433	Gas Valve	Robertshaw
70L53	50I56D-905	Smart Valve	Lennox
70L5301	50I56D-905	Smart Valve	Lennox
70W16	789A-801A1	Ignitor	Lennox
7-10054	36C03A-410	Gas Valve	Hoyt
710-101	764-742	Gas Valve	Robertshaw
710128A	50M56X-843, 50M56U-843	Furnace Ctl.	Nortek
71082	21D64-44	Ignitor	GSW
712805B-01	50D50U-843	Ign. Module	Snyder General
71492/004	36C03U-333, 36C03U-433	Gas Valve	Hearth Tech
71511/004	36H32-304	Gas Valve	Hearth Tech
71515/004	36H32-304	Gas Valve	Hearth Tech
720-050	36H33-412	Gas Valve	Robertshaw
720-051	36H32-304, 36H32-423	Gas Valve	Robertshaw
720-052	36H33-412	Gas Valve	Robertshaw
720-054	36C74-913	Gas Valve	Robertshaw
720-055	36C74-913	Gas Valve	Robertshaw
720-079	36H32-304	Gas Valve	Robertshaw
720-080	36H32-304	Gas Valve	Robertshaw
7200DER	36H32-304	Gas Valve	Robertshaw
7200-IPER	36H32-304	Gas Valve	Robertshaw
7200-IPER-LP	36H32-304	Gas Valve	Robertshaw
720-400	36C03-300, 36C03-333, 36C03-433	Gas Valve	Robertshaw
720-402	36C03-333, 36C03-300, 36C03-433	Gas Valve	Robertshaw
720-404	36C03-433, 36C03-400	Gas Valve	Robertshaw
720-406	36C03-400, 36C03-433	Gas Valve	Robertshaw
722-051	36G32-500	Gas Valve	Robertshaw
722-079	36G32-500	Gas Valve	Robertshaw
7222DER	36G32-500	Gas Valve	Robertshaw
73-42-0029-10	36C74-913	Gas Valve	Hastings HVAC
73-56-1602-19	36H64-463	Gas Valve	Hastings HVAC
73-56-1603-10	36H64-463	Gas Valve	Hastings HVAC
740A	791P-751KT1	Pilot Control	Carrier
74H26	50D50-801	Ign. Module	Lennox

PART REPLACING	SUGGESTED REPLACEMENT(S)	PRODUCT CATEGORY	COMPANY NAME
74H2601	50D50-801	Ign. Module	Lennox
74H27	36G33-500	Gas Valve	Lennox
74H2701	36G33-500	Gas Valve	Lennox
74W03	50M56X-843	Furnace Ctl.	Lennox
74W0301	50M56X-843	Furnace Ctl.	Lennox
7529112	764-742	Gas Valve	Majestic Building
75671	50M56X-843, 50A55-843, 50M56U-843	Furnace Ctl.	GW Berkheimer
75672	50M56X-843, 50A55-843, 50M56U-843	Furnace Ctl.	GW Berkheimer
7586C0001	50D50U-843	Ign. Module	Beckett
7586T0001	50D50U-843	Ign. Module	Beckett
75-92-104	767A-371, 21D64-2	Ignitor	Majestic
75-92-105	767A-371, 21D64-2	Ignitor	Majestic
75M17	50M56X-843	Furnace Ctl.	Lennox
75M1701	50M56X-843	Furnace Ctl.	Lennox
760-310	760-56	Flame Sensor	White-Rodgers
760-401	760-401, 790-843A1	Flame Sensor	White-Rodgers
760-454	760-401, 790-843A1	Flame Sensor	White-Rodgers
760-52	760-56	Flame Sensor	White-Rodgers
760-53	760-56	Flame Sensor	White-Rodgers
760-56	760-56	Flame Sensor	White-Rodgers
760-58	760-56	Flame Sensor	White-Rodgers
760-61	760-56	Flame Sensor	White-Rodgers
760-62	760-56	Flame Sensor	White-Rodgers
760-802	760-802, 790-843A1	Flame Sensor	White-Rodgers
764-101	764-742	Gas Valve	White-Rodgers
764-109	764-742	Gas Valve	White-Rodgers
764-12	764-742	Gas Valve	White-Rodgers
764-13	764-742	Gas Valve	White-Rodgers
764-14	764-742	Gas Valve	White-Rodgers
764-15	764-742	Gas Valve	White-Rodgers
764-17	764-742	Gas Valve	White-Rodgers
764-18	764-742	Gas Valve	White-Rodgers
764-19	764-742	Gas Valve	White-Rodgers
764-20	764-742	Gas Valve	White-Rodgers
764-201	764-742	Gas Valve	White-Rodgers
764-202	764-742	Gas Valve	White-Rodgers
764-21	764-742	Gas Valve	White-Rodgers
764-5	764-742	Gas Valve	White-Rodgers
764-501	764-742	Gas Valve	White-Rodgers
764-502	764-742	Gas Valve	White-Rodgers
764-6	764-742	Gas Valve	White-Rodgers
764-601	764-742	Gas Valve	Eiklor Flames
764-7	764-742	Gas Valve	White-Rodgers
764-701	764-742	Gas Valve	White-Rodgers
764-702	764-742	Gas Valve	White-Rodgers
764-742	764-742	Gas Valve	White-Rodgers
764-743	764-742	Gas Valve	White-Rodgers
764-8	764-742	Gas Valve	White-Rodgers
764-9	764-742	Gas Valve	White-Rodgers
767A-301	767A-361, 21D64-2	Ignitor	White-Rodgers
767A-303	767A-357, 21D64-2	Ignitor	White-Rodgers

## CROSS REFERENCE

PART REPLACING	SUGGESTED REPLACEMENT(S)	PRODUCT CATEGORY	COMPANY NAME
767A-306	767A-361, 21D64-2	Ignitor	White-Rodgers
767A-309	767A-356	Ignitor	White-Rodgers
767A-310	767A-365, 21D64-2	Ignitor	White-Rodgers
767A-311	767A-366, 21D64-2	Ignitor	White-Rodgers
767A-350	767A-361, 21D64-2	Ignitor	White-Rodgers
767A-353	767A-357, 21D64-2	Ignitor	White-Rodgers
767A-354	767A-361, 21D64-2	Ignitor	White-Rodgers
767A-356	767A-356	Ignitor	White-Rodgers
767A-357	767A-357, 21D64-2	Ignitor	White-Rodgers
767A-361	767A-361, 21D64-2	Ignitor	White-Rodgers
767A-364	767A-366, 21D64-2	Ignitor	White-Rodgers
767A-365	767A-365, 21D64-2	Ignitor	White-Rodgers
767A-366	767A-366, 21D64-2	Ignitor	White-Rodgers
767A-369	767A-369	Ignitor	White-Rodgers
767A-370	767A-370, 21D64-2	Ignitor	White-Rodgers
767A-371	767A-371, 21D64-2	Ignitor	White-Rodgers
767A-372	767A-372, 21D64-2	Ignitor	White-Rodgers
767A-373	767A-373, 21D64-2	Ignitor	White-Rodgers
767A-374	767A-374	Ignitor	White-Rodgers
767A-375	767A-375	Ignitor	White-Rodgers
767A-376	767A-376, 21D64-2	Ignitor	White-Rodgers
767A-377	767A-377, 21D64-2	Ignitor	White-Rodgers
767A-378	767A-378, 21D64-2	Ignitor	White-Rodgers
767A-379	767A-379	Ignitor	White-Rodgers
767A-380	767A-380	Ignitor	White-Rodgers
767A-381	767A-381	Ignitor	White-Rodgers
767A-382	767A-382, 21D64-2	Ignitor	White-Rodgers
767A-383	767A-383, 21D64-2	Ignitor	White-Rodgers
767A-384	767A-384, 21D64-2	Ignitor	White-Rodgers
767A-385	767A-385, 767A-378, 21D64-44	Ignitor	White-Rodgers
768A-143	768A-843	Ignitor	White-Rodgers
768A-15	768A-815	Ignitor	White-Rodgers
768A-2	768A-842	Ignitor	White-Rodgers
768A-4	768A-844	Ignitor	White-Rodgers
768A-5	768A-845	Ignitor	White-Rodgers
768A-815	768A-815	Ignitor	White-Rodgers
768A-842	768A-842	Ignitor	White-Rodgers
768A-843	768A-843	Ignitor	White-Rodgers
768A-844	768A-844	Ignitor	White-Rodgers
768A-845	768A-845	Ignitor	White-Rodgers
76E08	36C03-433	Gas Valve	Lennox
7-70001	36C03A-410	Gas Valve	Victor Midland
7700-346	36C03-333	Gas Valve	Coleman
7700A346	36C03-333	Gas Valve	Coleman
7700A3461	36C03-333	Gas Valve	White-Rodgers
77839	50D50U-843	Ign. Module	Henny Penny
7786	36H32-423	Gas Valve	York
780-001	50D50U-843	Ign. Module	Robertshaw
780-002	50D50U-843	Ign. Module	Robertshaw
780-003	50D50U-843	Ign. Module	Robertshaw
780-501	50D50U-843	Ign. Module	Robertshaw
780-502	50D50U-843	Ign. Module	Robertshaw
780-503	50D50U-843	Ign. Module	Robertshaw

PART REPLACING	SUGGESTED REPLACEMENT(S)	PRODUCT CATEGORY	COMPANY NAME
780-504	50D50U-843	Ign. Module	Robertshaw
780-511	50D50U-843	Ign. Module	Robertshaw
780-715	50D50U-843	Ign. Module	Robertshaw
780-735	50D50U-843	Ign. Module	Robertshaw
780-736	50D50U-843	Ign. Module	Robertshaw
780-737	50D50U-843	Ign. Module	Robertshaw
780-745	50D50U-843	Ign. Module	Robertshaw
780-780	50E47U-843, 50E47-843	Ign. Module	Robertshaw
780-783	50E47U-843, 50E47-843	Ign. Module	Robertshaw
780-784	50E47U-843, 50E47-843	Ign. Module	Robertshaw
780-785	50E47U-843, 50E47-843	Ign. Module	Robertshaw
780-786	50E47U-843, 50E47-843	Ign. Module	Robertshaw
780-787	50E47U-843, 50E47-843	Ign. Module	Robertshaw
780-788	50E47U-843, 50E47-843	Ign. Module	Robertshaw
780-789	50E47U-843, 50E47-843	Ign. Module	Robertshaw
780-790	50E47U-843, 50E47-843	Ign. Module	Robertshaw
780-845	50D50U-843	Ign. Module	Robertshaw
780-910	50E47U-843, 50E47-843	Ign. Module	Robertshaw
7839	36G32-500	Gas Valve	JCI
784-83-10H	50M56D-751	Furnace Ctl.	Carrier
784-9-I	50M56D-751	Furnace Ctl.	Carrier
7871	36H32-214, 36H32-304, 36H32-423	Gas Valve	York
78712	50M56X-843, 50A55-843, 50M56U-843	Furnace Ctl.	HD Supply
788A-1	21D64-2, 21D64-44	Ignitor	White-Rodgers
789A-1	21D64-44	Ignitor	White-Rodgers
789A-707A1	789A-707A1	Ignitor	White-Rodgers
789A-751A1	789A-751A1	Ignitor	White-Rodgers
789A-751KT1	789A-751KT1	Ignitor	White-Rodgers
789A-751KT2	789A-751KT2	Ignitor	White-Rodgers
789A-801A1	789A-801A1	Ignitor	White-Rodgers
789A-820	789A-820	Ignitor	White-Rodgers
789A-820KT1	789A-820KT1	Ignitor	White-Rodgers
789A-914A1	789A-914A1, 21D64-44	Ignitor	White-Rodgers
789A-956A1	789A-956A1	Ignitor	White-Rodgers
78H68	47D01U-843	Defrost Ctl.	Lennox
78H6801	47D01U-843	Defrost Ctl.	Lennox
78M17	50M56X-843	Furnace Ctl.	Lennox
78M1701	50M56X-843	Furnace Ctl.	Lennox
78M47	50M56X-843	Furnace Ctl.	Lennox
78M4701	50M56X-843	Furnace Ctl.	Lennox
790-300	50D50U-843	Ign. Module	Robertshaw
790-301	50D50U-843	Ign. Module	Robertshaw
790-314	50D50U-843	Ign. Module	Robertshaw
790-319	50D50U-843	Ign. Module	Robertshaw
790-325	50D50U-843	Ign. Module	Robertshaw
790-500	50D50U-843	Ign. Module	Robertshaw
790-507	50D50U-843	Ign. Module	Robertshaw
790-707A1	790-707A1, 790-843A1	Flame Sensor	White-Rodgers
79074	21D64-44	Ignitor	Weil-McLain
790-751A1	790-751A1, 790-843A1	Flame Sensor	White-Rodgers
790-801A1	790-801A1, 790-843A1	Flame Sensor	White-Rodgers
790-820A1	790-820A1, 790-843A1	Flame Sensor	White-Rodgers



# CROSS REFERENCE

PART REPLACING	SUGGESTED REPLACEMENT(S)	PRODUCT CATEGORY	COMPANY NAME
790-843A1	790-843A1, 790-843A5PK	Flame Sensor	White-Rodgers
790-843A5PK	790-843A5PK	Flame Sensor	White-Rodgers
790-956A1	790-956A1, 790-843A1	Flame Sensor	White-Rodgers
7919	760-401, 790-843A1	Flame Sensor	Hoyt
791P-751KT1	791P-751KT1	Pilot Control	White-Rodgers
79W84	50M56X-843, 50X57-843	Furnace Ctl.	Lennox
80300-18	50E47U-843	Ign. Module	LBC Bakery
80300-20	50E47U-843	Ign. Module	LBC Bakery
80505-14	36H32-423	Gas Valve	Lang
80505-15	36J22-214	Gas Valve	LBC Bakery
80505-17	36J54-214	Gas Valve	LBC Bakery
8068142	50M56X-843, 50A55-843, 50M56U-843	Furnace Ctl.	Whirlpool
8068561	50M56X-843, 50A55-843, 50M56U-843	Furnace Ctl.	Whirlpool
8068563	50M56X-843, 50A55-843, 50M56U-843	Furnace Ctl.	Whirlpool
8075949	50D50U-843	Ign. Module	Frymaster
80761	36H32-214, 36H32-304, 36H32-423	Gas Valve	Henny Penny
80800.54	760-401, 790-843A1	Flame Sensor	Rupp Ind.
80800.540	760-401, 790-843A1, 790-843A5PK	Flame Sensor	Rupp Ind.
80858	36H32-214	Gas Valve	Henny Penny
8092	36H33-412	Gas Valve	York
80K12	50D50U-843	Ign. Module	Lennox
80K1201	50D50U-843	Ign. Module	Lennox
80M27	50M56X-843	Furnace Ctl.	Lennox
80M2701	50M56X-843, 50M56U-801, 50M56U-843	Furnace Ctl.	Lennox
80N92	50D50-801	Ign. Module	Lennox
80N9201	50D50-801	Ign. Module	Lennox
8100786	36G32-500	Gas Valve	Honeywell
8100787	36G32-500	Gas Valve	Honeywell
8-1-6452	760-401, 790-843A1	Flame Sensor	Market Forge
8181917	25M01A-100	Gas Valve	Whirlpool
819147	3049-115	Flame Sensor	ITW Food Equip.
81W03	50M56X-843	Furnace Ctl.	Lennox
81W0301	50M56X-843	Furnace Ctl.	Lennox
81W11	50M56X-843, 50M56U-801, 50M56U-843	Furnace Ctl.	Lennox
81W1101	50M56X-843	Furnace Ctl.	Lennox
82.90.130	36C84-945	Gas Valve	Gourley Company
82.91.140	3049-115	Flame Sensor	Gourley Company
8201-064	47D01U-843	Defrost Ctl.	Bard
8201-129	47D01U-843	Defrost Ctl.	Bard
8210-069	47D01U-843	Defrost Ctl.	Bard
8210-102	47D01U-843	Defrost Ctl.	Bard
8210-119	47D01U-843	Defrost Ctl.	Bard
82396	36C03-433, 36C03-400	Gas Valve	Reznor
8262898	50D50U-843	Ign. Module	Frymaster
8281908	25M01A-101	Gas Valve	Whirlpool
8281909	25M01A-100	Gas Valve	Whirlpool
8281910	25M01A-101	Gas Valve	Whirlpool
8281911	25M01A-100	Gas Valve	Whirlpool

PART REPLACING	SUGGESTED REPLACEMENT(S)	PRODUCT CATEGORY	COMPANY NAME
8281914	25M01A-101	Gas Valve	Whirlpool
8281915	25M01A-101	Gas Valve	Whirlpool
8281917	25M01A-100	Gas Valve	Whirlpool
8281919	25M01A-101	Gas Valve	Whirlpool
8281920	25M01A-101	Gas Valve	Whirlpool
8281923	25M01A-101	Gas Valve	Whirlpool
8281924	25M01A-100	Gas Valve	Whirlpool
8281925	25M01A-100	Gas Valve	Whirlpool
829-001	50D50U-843	Ign. Module	Robertshaw
829-002	50D50U-843	Ign. Module	Robertshaw
829-003	50D50U-843	Ign. Module	Robertshaw
829-006	50D50U-843	Ign. Module	Robertshaw
829-012	50D50U-843	Ign. Module	Robertshaw
829-013	50D50U-843	Ign. Module	Robertshaw
832-002	50E47U-843, 50E47-843	Ign. Module	Robertshaw
832-005	50E47U-843, 50E47-843	Ign. Module	Robertshaw
83388	50M56X-843, 50A55-843, 50M56U-843	Furnace Ctl.	HD Supply
83L72	790-843A1, 790-843A5PK	Flame Sensor	Lennox
83L9301	21M51U-843	Furnace Ctl.	Lennox
83M00	21D83M-843	Furnace Ctl.	Lennox
83M001	21D83M-843	Furnace Ctl.	Lennox
83W12	36J55-214	Gas Valve	Lennox
840-4-5548	47D01U-843	Defrost Ctl.	Weatherking
8428-74	50D50U-843	Ign. Module	Midco International
84W88	47D01U-843	Defrost Ctl.	Lennox
84W8801	47D01U-843	Defrost Ctl.	Lennox
855659-1	50D50U-843	Ign. Module	Vulcan Hart
857027	36G32-500	Gas Valve	Honeywell
857028	36G32-500	Gas Valve	Honeywell
857207-2	50D50U-843	Ign. Module	Vulcan Hart
85H75	47D01U-843	Defrost Ctl.	Lennox
85H7501	47D01U-843	Defrost Ctl.	Lennox
85W79	50M56X-843, 50X57-843	Furnace Ctl.	Lennox
8620-095	47D01U-843	Defrost Ctl.	Bard
8620-129	47D01U-843	Defrost Ctl.	Bard
8620-214	47D01U-843	Defrost Ctl.	Bard
8620-223	47D01U-843	Defrost Ctl.	Bard
8631-326	36C03-333	Gas Valve	Coleman
86438	767A-373, 21D64-2	Ignitor	GSW
86483	21D64-44	Ignitor	GSW
86G16	47D01U-843	Defrost Ctl.	Lennox
86G1601	47D01U-843	Defrost Ctl.	Lennox
871975	767A-375	Ignitor	Carlin
872670	21M51U-843	Furnace Ctl.	York
879598	50M56X-843, 50A56-956, 50M56U-843	Furnace Ctl.	York
87H88	50F06-843	Fan Blower Ctl.	Lennox
87H8801	50F06-843	Fan Blower Ctl.	Lennox
88400.051	36H32-423	Gas Valve	Rupp Ind.
88400.09	36H32-423	Gas Valve	Temp Air
88400.288	36H32-423	Gas Valve	Rupp Ind.
88-56-00160-001	5059-134	Pilot Control	RSI Company

# CROSS REFERENCE

PART REPLACING	SUGGESTED REPLACEMENT(S)	PRODUCT CATEGORY	COMPANY NAME
88J7601	36J54-214, 36H64-463	Gas Valve	Lennox
89050000530000	50E47U-843	Ign. Module	Capable
8910DP22V14	49M11-843	Contactora	Square D
8910DP31V09	49M11-843	Contactora	Square D
8910DP32V14	49M11-843	Contactora	Square D
89397	36H32-423	Gas Valve	Reznor
89398	36H32-423	Gas Valve	Reznor
90032510	36J24-214	Gas Valve	Specified Air Solutions
90032512	36J24-214	Gas Valve	Specified Air Solutions
90034000	36J54-214	Gas Valve	Roberts Gordon
9004	36C03-300	Gas Valve	Johnson Controls
9004520215	790-843A1, 790-843A5PK	Flame Sensor	AO Smith
9006106205	790-843A1, 790-843A5PK	Flame Sensor	AO Smith
900738	36C03U-333	Gas Valve	Lennox
902378	50M56X-843, 50M56U-843	Furnace Ctl.	Nortek
9024-2	50E47U-843	Ign. Module	Southbend Range
902661A	21D64-2, 21D64-44	Ignitor	Nortek
902696	50M56X-843, 50M56U-843	Furnace Ctl.	Nortek
90300200	30A46-105	Flame Sensor	Roberts Gordon
903106	50M56X-843, 50M56U-843	Furnace Ctl.	Nortek
903110A	21D64-2, 21D64-44	Ignitor	Nortek
9034	36C03-300	Gas Valve	Johnson Controls
90-35061225	36C74-913	Gas Valve	Claire Brothers
90-35061227	36C74-913	Gas Valve	Bradford White
903600	790-843A1, 790-843A5PK	Flame Sensor	Nortek
903758	21D64-2, 21D64-44	Ignitor	Nortek
90427302	50D50U-843	Ign. Module	Roberts Gordon
90434300	767A-370, 21D64-2	Ignitor	Roberts Gordon
90436300	21D64-44	Ignitor	Roberts Gordon
90436600	767A-371, 21D64-2	Ignitor	Roberts Gordon
90439300	790-843A1, 790-843A5PK	Flame Sensor	Roberts Gordon
90439500	50D50U-843	Ign. Module	Roberts Gordon
904840	50M56X-843, 50M56U-843	Furnace Ctl.	Nortek
9050	767A-371, 21D64-2	Ignitor	Williamson
90-621	47D01U-843	Defrost Ctl.	White-Rodgers
907-970010-15	50D50U-843	Ign. Module	York
9101002-07	49M11-843	Contactora	Ice-O-Matic
91193	36H32-423	Gas Valve	Reznor
912-1930-00	49M11-843	Contactora	Copeland
912-1930-01	49M11-843	Contactora	Copeland
912-1940-00	49M11-843	Contactora	Copeland
917012	47D01U-843	Defrost Ctl.	Nortek
917178	47D01U-843	Defrost Ctl.	Nortek
917178A	47D01U-843	Defrost Ctl.	Nortek
91-9301	57T01-843	Time Delay	White-Rodgers
91X2201	21D64-2, 21D64-44	Ignitor	Lennox
920806	47D01U-843	Defrost Ctl.	Nortek
920915	50M56X-843, 50M56U-843	Furnace Ctl.	Nortek
921074	789A-914A1, 21D64-44	Ignitor	Nortek
9218-374	47D01U-843	Defrost Ctl.	Evcon

PART REPLACING	SUGGESTED REPLACEMENT(S)	PRODUCT CATEGORY	COMPANY NAME
9218-3741	47D01U-843	Defrost Ctl.	York
921L	36C03-300	Gas Valve	Johnson Controls
9226-2	50D50U-843	Ign. Module	Crown Steam
922L	36C03-300	Gas Valve	Johnson Controls
924895	36C03A-410	Gas Valve	Hoyt
925L	36C03-300	Gas Valve	Johnson Controls
926L	36C03-300	Gas Valve	Johnson Controls
9302-094	767A-361, 21D64-2	Ignitor	Viessmann
9330-102	767A-369	Ignitor	Heatmaker
9-3381	50D50U-843	Ign. Module	Crown Steam
93J5101	36H33-412	Gas Valve	Lennox
93K21	50D50-801	Ign. Module	Lennox
93K2101	50D50-801	Ign. Module	Lennox
94385	49M11-843	Contactora	White-Rodgers
94-506-4-250	36H32-423	Gas Valve	TRT Modine
94-506-4-50	36H32-423	Gas Valve	TRT Modine
94851	767A-371, 21D64-2	Ignitor	Superior
94W83	50M56X-843, 50M56U-801, 50M56U-843	Furnace Ctl.	Lennox
94W8301	50M56X-843	Furnace Ctl.	Lennox
951861	36H32-214	Gas Valve	All Points
95-506-5-250	36C03-400, 36C03-433	Gas Valve	TRT Modine
958911-1	36J55-214	Gas Valve	Vulcan Hart
96300	36C03-433, 36C03-400	Gas Valve	Reznor
96307	36G32-500	Gas Valve	Honeywell
96309	36H32-423	Gas Valve	Reznor
96310	36G32-500	Gas Valve	Honeywell
96311	36H32-304, 36H32-423	Gas Valve	Reznor
964D498G	25M01A-101	Gas Valve	Mabe
96-506-4-30	36H32-214, 36H32-304, 36H32-423	Gas Valve	TRT Modine
96-506-4-50	36H32-214	Gas Valve	Modine
96793	764-742	Gas Valve	Lennox
96P01	767A-369	Ignitor	Lennox
97-6647	50E47U-843	Ign. Module	Market Forge
97H04	50D50-801	Ign. Module	Lennox
97H0401	50D50-801	Ign. Module	Lennox
97H27	36G33-500	Gas Valve	Honeywell
97H2701	36G33-500	Gas Valve	Honeywell
97L48	21D83M-843	Furnace Ctl.	Lennox
97L4801	21D83M-843	Furnace Ctl.	Lennox
97M81	47D01U-843	Defrost Ctl.	Lennox
97M8101	47D01U-843	Defrost Ctl.	Lennox
9857-109-001	36C03A-410	Gas Valve	Dexter
9857-116-001	50D50U-843	Ign. Module	Dexter
9857-116-002	50D50U-843	Ign. Module	Dexter
9857-116-003	50D50U-843	Ign. Module	Dexter
9857-192-001	36J22-214	Gas Valve	Dexter
9857-193-001	36H32-423	Gas Valve	Dexter
986926	36H64-463	Gas Valve	Mars
986930	36H32-423	Gas Valve	John Zink
98M87	790-843A1, 790-843A5PK	Flame Sensor	Lennox

## CROSS REFERENCE

PART REPLACING	SUGGESTED REPLACEMENT(S)	PRODUCT CATEGORY	COMPANY NAME
98P77	21D64-44	Ignitor	Lennox
98P78	21D64-44	Ignitor	Lennox
98W07	36J24-214	Gas Valve	Lennox
993801	36J22-214	Gas Valve	York
993802	36J54-214	Gas Valve	York
993803	36H64-463	Gas Valve	York
995395	50E47U-843, 50E47-843	Ign. Module	Peerless
99794322	767A-369	Ignitor	Whirlpool
99794323	21D64-44	Ignitor	Whirlpool
99794328	21D64-44	Ignitor	Whirlpool
99796118	30A46-5	Flame Sensor	Whirlpool
99796122	3098-156	Flame Sensor	Whirlpool
99796130	36C03-333	Gas Valve	Whirlpool
99796132	36C03-333	Gas Valve	Whirlpool
99796133	36C03-400	Gas Valve	Whirlpool
99796134	36C03-433	Gas Valve	Whirlpool
99796135	36C03U-333	Gas Valve	Whirlpool
99796137	36C03U-333	Gas Valve	Whirlpool
99796141	36C03U-433	Gas Valve	Whirlpool
99796168	36C53-418	Gas Valve	Whirlpool
99796175	36C74-913	Gas Valve	Whirlpool
99796178	36H32-304	Gas Valve	Whirlpool
99796179	36C74-913	Gas Valve	Whirlpool
99796181	36C94-303	Gas Valve	Whirlpool
99796182	36H33-412	Gas Valve	Whirlpool
99796380	50E47U-843, 50E47-843	Ign. Module	Whirlpool
99796417	767A-361, 21D64-2	Ignitor	Whirlpool
99903392	5059-134	Pilot Control	Whirlpool
99905232	50E47U-843, 50E47-843	Ign. Module	Whirlpool
99905234	760-401, 790-843A1	Flame Sensor	Whirlpool
99911563	767A-365, 21D64-2	Ignitor	Whirlpool
99911564	767A-366, 21D64-2	Ignitor	Whirlpool
99911891	3049-115	Flame Sensor	Whirlpool
99911905	760-56	Flame Sensor	Whirlpool
99913639	3098-156	Flame Sensor	Whirlpool
99958174	50M56X-843, 50A55-843, 50M56U-843	Furnace Ctl.	Whirlpool
99958175	50M56X-843, 50A55-843, 50M56U-843	Furnace Ctl.	Whirlpool
99959556	36C84-921	Gas Valve	Whirlpool
99998670	36C84-945	Gas Valve	Whirlpool
A0001612 150	36H32-423	Gas Valve	Captive-Aire
A341947P01	768A-815	Ignitor	Trane
A46005	30A46-5	Flame Sensor	Tharrington Ind.
A80224	36C03U-433	Gas Valve	American Range
AC1015	50F06-843	Fan Blower Ctl.	ICM
ADC 128979	36J22-214	Gas Valve	American Dryer
AP5641413	791P-751KT1	Pilot Control	Carrier
AS-M1540A	50E47U-843	Ign. Module	Bakers Pride
B107AF01	36C03U-433	Gas Valve	ITT General
B107RF02	36C03U-433	Gas Valve	ITT General
b1172606	790-707A1, 790-843A1	Flame Sensor	Goodman
B11726-06	790-707A1, 790-843A1	Flame Sensor	Goodman

PART REPLACING	SUGGESTED REPLACEMENT(S)	PRODUCT CATEGORY	COMPANY NAME
B1226006	47D01U-843	Defrost Ctl.	Goodman
B12260-06	47D01U-843	Defrost Ctl.	Goodman
B1226008	47D01U-843	Defrost Ctl.	Goodman
B12260-08	47D01U-843	Defrost Ctl.	Goodman
B12826-05	36C03-433	Gas Valve	Goodman
B12826-06	36H33-412	Gas Valve	Goodman
B1282610	36H64-463	Gas Valve	Daikin
B12826-10	36H64-463	Gas Valve	Goodman
B1282611	36H64-463	Gas Valve	Goodman
B12826-11	36H64-463	Gas Valve	Goodman
B1282614	36J22-214	Gas Valve	Goodman
B12826-14	36G22-254, 36H32-214	Gas Valve	Goodman
B1282617	36H65-401	Gas Valve	Goodman
B12826-17	36J54-214	Gas Valve	Goodman
B1282618	36J54-214, 36H64-463	Gas Valve	Goodman
B1282620	36H64-463	Gas Valve	Goodman
B12826-20	36H64-463	Gas Valve	Goodman
B1282621	36H64-463	Gas Valve	Goodman
B12826-21	36H64-463	Gas Valve	Goodman
B1282626	36J22-214	Gas Valve	Goodman
B1282628	36G22-254	Gas Valve	Goodman
B12826-28	36G22-254, 36J22-214	Gas Valve	Goodman
B1282628S	36G22-254, 36J22-214	Gas Valve	Goodman
B12826-5	36C03-433	Gas Valve	Goodman
B1336102	767A-369	Ignitor	Amana
B13707-24	50D50U-843	Ign. Module	Goodman
B1370726	50E47U-843	Ign. Module	Goodman
B138196P01	767A-370, 21D64-2	Ignitor	Trane
B1401009	767A-373, 21D64-2	Ignitor	Goodman
B1401015	767A-384, 21D64-2	Ignitor	Goodman
B14010-15	767A-384, 21D64-2	Ignitor	Goodman
B1401015S	767A-384, 21D64-2	Ignitor	Goodman
B14010-15S	767A-384, 21D64-2	Ignitor	Goodman
B1401018	767A-385, 767A-378, 21D64-44	Ignitor	Goodman
B14010-18	767A-385, 767A-378, 21D64-44	Ignitor	Goodman
B1401018S	767A-385, 767A-378, 21D64-44	Ignitor	Goodman
B14010-18S	767A-385, 767A-378, 21D64-44	Ignitor	Goodman
B140109S	767A-384, 21D64-2	Ignitor	Goodman
B144676P01	767A-377, 21D64-2	Ignitor	Trane
B144676P02	767A-376, 21D64-2	Ignitor	Trane
B180911	50F06-843	Fan Blower Ctl.	Goodman
B1809906	50M56X-843, 50M56U-843	Furnace Ctl.	Goodman
B18099-06	50T35-743	Furnace Ctl.	Goodman
B1809906S	50M56X-843, 50M56U-843	Furnace Ctl.	Goodman
B1809908	50M56X-843, 50M56U-843	Furnace Ctl.	Goodman
B18099-08	50T35-743	Furnace Ctl.	Goodman
B1809908S	50M56X-843, 50M56U-843	Furnace Ctl.	Goodman
B18099-10	50T35-743	Furnace Ctl.	Goodman
B18099-11	50F06-843	Fan Blower Ctl.	Goodman
B1809911S	50F06-843	Fan Blower Ctl.	Goodman
B1809913	50M56X-843	Furnace Ctl.	Goodman
B18099-13	50M56X-843, 50T35-743, 50M56U-843	Furnace Ctl.	Goodman
B1809913S	50M56X-843, 50T35-743, 50M56U-843	Furnace Ctl.	Goodman

## CROSS REFERENCE

PART REPLACING	SUGGESTED REPLACEMENT(S)	PRODUCT CATEGORY	COMPANY NAME
B1809925	21V51U-843	Furnace Ctl.	Goodman
B1809926	50M56X-843, 50M56-743	Furnace Ctl.	Goodman
B1809926S	50M56X-843, 50M56-743	Furnace Ctl.	Goodman
B1809927	21V51U-843	Furnace Ctl.	Goodman
B1809927S	21V51U-843	Furnace Ctl.	Goodman
B2-R99G015	21M51U-843	Furnace Ctl.	White-Rodgers
B2-R99G016	21V51U-843	Furnace Ctl.	White-Rodgers
B340039P01	767A-372, 21D64-2	Ignitor	Trane
B340039P02	21D64-44	Ignitor	Trane
B57RB161	36C03-333	Gas Valve	General Ctls
B57RB68	36C03-333	Gas Valve	General Ctls
B57RF58	36C03-433	Gas Valve	General Ctls
B59R02	36C03-333	Gas Valve	ITT General
B59R06	36C03-433	Gas Valve	ITT General
B59T08	36C03A-410	Gas Valve	ITT General
B59T12	36C03A-410	Gas Valve	ITT General
B62	36C03U-333	Gas Valve	ITT General
B63	36C03U-333	Gas Valve	ITT General
B64	36C03U-333	Gas Valve	ITT General
B65	36C03U-333	Gas Valve	ITT General
B67AA00000000	36C03U-433	Gas Valve	ITT General
B67AB142	36C03U-433	Gas Valve	ITT General
B67AF00000000	36C03U-433	Gas Valve	ITT General
B67RA00000000	36C03U-333	Gas Valve	ITT General
B67RA56	36C03U-333	Gas Valve	ITT General
B67RB00000000	36C03U-333	Gas Valve	ITT General
B67RB141	36C03U-333	Gas Valve	ITT General
B67RF00000000	36C03U-433	Gas Valve	ITT General
B67RF45	36C03U-433	Gas Valve	ITT General
B69A01	36C03U-333	Gas Valve	ITT General
B69A05	36C03U-433	Gas Valve	ITT General
B69R02	36C03U-333	Gas Valve	ITT General
B69R06	36C03U-433	Gas Valve	ITT General
BG1100M0AB-1AC	50D50U-843	Ign. Module	Baso
BG1100M0AK-1GC	50D50U-843	Ign. Module	Baso
BG1100M0CK-1GC	50D50U-843	Ign. Module	Baso
BG1100M3AK-1AC	50D50U-843	Ign. Module	Baso
BG1100MAAK-1GC	50D50U-843	Ign. Module	Baso
BG1100MAAL-1GC	50D50U-843	Ign. Module	Baso
BG1100MADL-1GC	50D50U-843	Ign. Module	Baso
BG1100MCLD-1GC	50D50U-843	Ign. Module	Baso
BG1600M00CF-1ADC	50D50U-843	Ign. Module	Baso
BG1600M00EF-1ADC	50D50U-843	Ign. Module	Baso
BG1600M00EK-1AAC	50D50U-843	Ign. Module	Baso
BG1600M00EM-1ADC	50D50U-843	Ign. Module	Baso
BG1600M00EP-1ADC	50D50U-843	Ign. Module	Baso
BG1600M00ER-1BDC	50D50U-843	Ign. Module	Baso
BG1600M00ET-1ADC	50D50U-843	Ign. Module	Baso
BG1600M00FF-1ADC	50D50U-843	Ign. Module	Baso
BG1600M00FP-1ADC	50D50U-843	Ign. Module	Baso
BG1600M00FT-1ADC	50D50U-843	Ign. Module	Baso
BG1600M01CR-1BDC	50D50U-843	Ign. Module	Baso
BG1600M01ER-1ADC	50D50U-843	Ign. Module	Baso

PART REPLACING	SUGGESTED REPLACEMENT(S)	PRODUCT CATEGORY	COMPANY NAME
BG1600M02CR-1ADC	50D50U-843	Ign. Module	Baso
BG1600M03BF-1AGC	50D50U-843	Ign. Module	Baso
BG1600M03CR-1ADC	50D50U-843	Ign. Module	Baso
BG1600M03CR-1AGC	50D50U-843	Ign. Module	Baso
BG1600M10EF-1ADC	50D50U-843	Ign. Module	Baso
BG1600M10EK-1AAC	50D50U-843	Ign. Module	Baso
BG1600M10EM-1ADC	50D50U-843	Ign. Module	Baso
BG1600M10EP-1ADC	50D50U-843	Ign. Module	Baso
BG1600M10ER-1ADC	50D50U-843	Ign. Module	Baso
BG1600M10FF-1AAC	50D50U-843	Ign. Module	Baso
BG1600M10FM-1AAC	50D50U-843	Ign. Module	Baso
BG1600M10FP-1ADC	50D50U-843	Ign. Module	Baso
BG1600M10FR-1AAC	50D50U-843	Ign. Module	Baso
BG1600M10FT-1ADC	50D50U-843	Ign. Module	Baso
BG1600M11ER-1ADC	50D50U-843	Ign. Module	Baso
BG1600M20EJ-1AAC	50D50U-843	Ign. Module	Baso
BG1600M20EP-1ADC	50D50U-843	Ign. Module	Baso
BG1600M30EP-1ADC	50D50U-843	Ign. Module	Baso
BGH5AE00DA08D-00K2	50E47U-843	Ign. Module	Baso
BPF00547-1	36J54-214	Gas Valve	Daikin
BRD04302	47D01U-843	Defrost Ctl.	Trane
BRD05205	47D01U-843	Defrost Ctl.	Trane
BRD05768	47D01U-843	Defrost Ctl.	Trane
BRD06552	47D01U-843	Defrost Ctl.	Trane
C0772	50D50U-843	Ign. Module	BKI
C107U-1	50D50U-843	Ign. Module	Johnson Controls
C130A	49M11-843	Contactora	Packard
C131AAA-1C	50D50U-843	Ign. Module	Johnson Controls
C131KMD-1C	50D50U-843	Ign. Module	Johnson Controls
C132AAA-1C	50D50U-843	Ign. Module	Johnson Controls
C132ACA-1C	50D50U-843	Ign. Module	Johnson Controls
C140A	49M11-843	Contactora	Packard
C150	49M11-843	Contactora	White-Rodgers
C161AAA-1C	50D50U-843	Ign. Module	Johnson Controls
C161ACA-1C	50D50U-843	Ign. Module	Johnson Controls
C161DAA-1C	50D50U-843	Ign. Module	Johnson Controls
C161FJD-1C	50D50U-843	Ign. Module	Johnson Controls
C161FKD-1C	50D50U-843	Ign. Module	Johnson Controls
C161KKD-1C	50D50U-843	Ign. Module	Johnson Controls
C162D9A-1C	50D50U-843	Ign. Module	Johnson Controls
C186P9U-1C	50D50U-843	Ign. Module	Johnson Controls
C-238	767A-371, 21D64-2	Ignitor	Claire Brothers
C-242	767A-371, 21D64-2	Ignitor	Claire Brothers
C252U10	49M11-843	Contactora	Arrow Hart

# CROSS REFERENCE

PART REPLACING	SUGGESTED REPLACEMENT(S)	PRODUCT CATEGORY	COMPANY NAME
C25ANB125A	49M11-843	Contacto	Eaton
C25ANB125B	49M11-843	Contacto	Eaton
C25ANB125T	49M11-843	Contacto	Cutler Hammer
C25ANB130A	49M11-843	Contacto	Eaton
C25ANB130B	49M11-843	Contacto	Eaton
C25ANB130T	49M11-843	Contacto	Cutler Hammer
C25BNB220A	49M11-843	Contacto	Cutler Hammer
C25BNB220B	49M11-843	Contacto	Cutler Hammer
C25BNB220T	49M11-843	Contacto	Cutler Hammer
C25BNB225A	49M11-843	Contacto	Cutler Hammer
C25BNB225B	49M11-843	Contacto	Cutler Hammer
C25BNB225T	49M11-843	Contacto	Cutler Hammer
C25CNB130A	49M11-843	Contacto	Cutler Hammer
C25CNB130B	49M11-843	Contacto	Cutler Hammer
C25CNB130T	49M11-843	Contacto	Cutler Hammer
C-263	21D64-44	Ignitor	Claire Brothers
C2S30A	49M11-843	Contacto	Packard/Fasco
C302U10	49M11-843	Contacto	Arrow Hart
C340995P01	36J54-214	Gas Valve	Trane
C341544P01	36J24-214	Gas Valve	Trane
C341950P01	36J22-214, 36H32-423	Gas Valve	Trane
C342086P01	36J54-214, 36H64-463	Gas Valve	Trane
C342087P01	36J54-214, 36H64-463	Gas Valve	Trane
C362DCA-1C	50D50U-843	Ign. Module	Johnson Controls
C42-00001-01	36H32-214, 36H32-304	Gas Valve	Southbend Range
C631A9A-1C	50D50U-843	Ign. Module	Baso
C631AGA-1C	50D50U-843	Ign. Module	Baso
C634AFA-1C	50D50U-843	Ign. Module	Baso
C6411102	50E47U-843, 50E47-843	Ign. Module	Goodman
C64301-1	47D01U-843	Defrost Ctl.	Amana
C6431001	47D01U-843	Defrost Ctl.	Amana
C6437502	790-843A1, 790-843A5PK	Flame Sensor	Goodman
C6476904	36H32-214, 36H32-304	Gas Valve	Goodman
C64769-04	36J22-214	Gas Valve	Goodman
C6476905	36J24-214	Gas Valve	Goodman
C6476907	36H32-423	Gas Valve	Goodman
C64769-07	36J22-214	Gas Valve	Goodman
C64769-08	36J24-214	Gas Valve	Goodman
C6476909	36J54-214	Gas Valve	Goodman
C64769-09	36J54-214	Gas Valve	Goodman
C6476910	36J22-214	Gas Valve	Goodman
C64769-10	36J22-214, 36G22-254	Gas Valve	Goodman
C6476911	36J22-214	Gas Valve	Goodman
C64769-11	36G22-254, 36J22-214	Gas Valve	Goodman
C64769-4	36H32-214, 36H32-304	Gas Valve	Goodman
C661ABA-1C	50D50U-843	Ign. Module	Baso
C661AEA-1C	50D50U-843	Ign. Module	Baso
C661AFA-1C	50D50U-843	Ign. Module	Baso
C661AHA-1C	50D50U-843	Ign. Module	Baso
C661BEA-1C	50D50U-843	Ign. Module	Baso
C661BFA-1C	50D50U-843	Ign. Module	Baso
C661BGA-1C	50D50U-843	Ign. Module	Baso

PART REPLACING	SUGGESTED REPLACEMENT(S)	PRODUCT CATEGORY	COMPANY NAME
C661DEA-1C	50D50U-843	Ign. Module	Baso
C661FCA-1C	50D50U-843	Ign. Module	Baso
C661JGA-1C	50D50U-843	Ign. Module	Baso
C661KEA-1C	50D50U-843	Ign. Module	Baso
C661PGA-1C	50D50U-843	Ign. Module	Baso
C664ABA-1C	50D50U-843	Ign. Module	Baso
C664AEA-1C	50D50U-843	Ign. Module	Baso
C664AFA-1C	50D50U-843	Ign. Module	Baso
C664AGA-1C	50D50U-843	Ign. Module	Baso
C664AHA-1C	50D50U-843	Ign. Module	Baso
C664BBA-1C	50D50U-843	Ign. Module	Baso
C664BEA-1C	50D50U-843	Ign. Module	Baso
C664BFA-1C	50D50U-843	Ign. Module	Baso
C664BGA-1C	50D50U-843	Ign. Module	Baso
C664FGA-1C	50D50U-843	Ign. Module	Baso
C670AGA-1C	50D50U-843	Ign. Module	Baso
C670JGA-1C	50D50U-843	Ign. Module	Baso
C729668P01	36H32-304	Gas Valve	Trane
C800924P01	57T01-843	Time Delay	Trane
CAR03101973000	50M56X-843	Furnace Ctl.	York
CAR1830620	791P-751KT1	Pilot Control	Carrier
CAR20054502	50F06-843	Fan Blower Ctl.	Carrier
CAR33101972200	50M56X-843	Furnace Ctl.	York
CAR50A55843	50M56X-843	Furnace Ctl.	York
CAR903106	50M56X-843	Furnace Ctl.	Nordyne
CARB1809911	50F06-843	Fan Blower Ctl.	Goodman
CARL38267	50F06-843	Fan Blower Ctl.	Goodman
CARL38999	791P-751KT1	Pilot Control	Carrier
CE005	50D50U-843	Ign. Module	Superior Radiant
CE015	50D50U-843	Ign. Module	Superior Radiant
CE056	50D50U-843	Ign. Module	Superior Radiant
CEBD410104-02	47D01U-843	Defrost Ctl.	Carrier
CEBD430524-04B	47D01U-843	Defrost Ctl.	Snyder General
CEBD430524-22	47D01U-843	Defrost Ctl.	Carrier
CEBD430524-24A	47D01U-843	Defrost Ctl.	Carrier
CEPL110104-02	47D01U-843	Defrost Ctl.	Carrier
CEPL130433-01	47D01U-843	Defrost Ctl.	Carrier
CEPL130433-02	47D01U-843	Defrost Ctl.	Carrier
CEPL130437-01	50M56X-843	Furnace Ctl.	Carrier
CEPL130437-01-I	50M56X-843	Furnace Ctl.	Carrier
CEPL13043B-01	50M56U-751	Furnace Ctl.	Carrier
CEPL130455-01	21V51D-751	Furnace Ctl.	Carrier
CEPL130524-01	47D01U-843	Defrost Ctl.	Heil Quaker
CEPL130524-21	47D01U-843	Defrost Ctl.	Carrier
CEPL130524-22	47D01U-843	Defrost Ctl.	Carrier
CEPL130541-01	48P55-751, 48M55-751	Air Handler Ctl.	Carrier
CEPL130547-01	47D01U-843	Defrost Ctl.	Carrier
CEPL130591-01	21V51D-751	Furnace Ctl.	Carrier
CEPL130591-41	21V51D-751	Furnace Ctl.	Carrier
CEPL130658-01-1	48M55-751	Air Handler Ctl.	Carrier
CEPL130934-01	50M56X-843, 50X57-843	Furnace Ctl.	Carrier



# CROSS REFERENCE

PART REPLACING	SUGGESTED REPLACEMENT(S)	PRODUCT CATEGORY	COMPANY NAME
CEPL130934-02	50M56X-843, 50X57-843	Furnace Ctl.	Carrier
CEPL130948-01	21V51D-751	Furnace Ctl.	Carrier
CEPL130948-02	21V51D-751	Furnace Ctl.	Carrier
CEPL131004	50M56X-843	Furnace Ctl.	Carrier
CEPL131004-01	50M56X-843	Furnace Ctl.	Carrier
CEPL131004-20	50M56X-843	Furnace Ctl.	Carrier
CEPL131004-20-ICP	50M56X-843	Furnace Ctl.	Carrier
CEPL131011-01	50M56X-843, 50X57-843	Furnace Ctl.	Carrier
CEPL131011-02	50M56X-843, 50X57-843	Furnace Ctl.	Carrier
CEPL131012-01	50M56X-843	Furnace Ctl.	Carrier
CEPL131012-01-I	50M56X-843	Furnace Ctl.	Carrier
CEPL131012-02	50M56X-843	Furnace Ctl.	Carrier
CEPL131012-02-I	50M56X-843	Furnace Ctl.	Carrier
CEPL131012-20-I	50M56X-843	Furnace Ctl.	Carrier
CEPL131043-01	21V51D-751	Furnace Ctl.	Carrier
CES0110020	50M56D-751	Furnace Ctl.	Carrier
CES0110048	50M56D-751	Furnace Ctl.	Carrier
CES0110057-00	50M56D-751	Furnace Ctl.	Carrier
CES0110057-01	50M56D-751	Furnace Ctl.	Carrier
CES0110057-02	50M56D-751	Furnace Ctl.	Carrier
CES0110063-00	47D01U-843	Defrost Ctl.	Carrier
CES0110063-01	47D01U-843	Defrost Ctl.	Carrier
CES0110063-02	47D01U-843	Defrost Ctl.	Carrier
CES0110063-02A	47D01U-843	Defrost Ctl.	Carrier
CES0130003-01	48P55-751, 48M55-751	Air Handler Ctl.	Carrier
CES0130024-00	47D01U-843	Defrost Ctl.	Carrier
CES0130024-01	47D01U-843	Defrost Ctl.	Carrier
CES0130049-00	47D01U-843	Defrost Ctl.	Carrier
CES0130076	47D01U-843	Defrost Ctl.	Carrier
CK4533053	50D50U-843	Ign. Module	Cleveland Range
CNT 04018	21V51U-843	Furnace Ctl.	Trane
CNT 04352	21V51U-843	Furnace Ctl.	Trane
CNT01011	5059-134	Pilot Control	Trane
CNT01106	47D01U-843	Defrost Ctl.	Trane
CNT01108	47D01U-843	Defrost Ctl.	Trane
CNT01129	47D01U-843	Defrost Ctl.	Trane
CNT01152	47D01U-843	Defrost Ctl.	Trane
CNT01308	21M51U-843	Furnace Ctl.	Trane
CNT01309	50M56X-843, 50M56U-843	Furnace Ctl.	Trane
CNT01431	47D01U-843	Defrost Ctl.	Trane
CNT01510	47D01U-843	Defrost Ctl.	Trane
CNT01634 w/ F50N02-820	50N02A-820	RTU Control	Trane
CNT01642	47D01U-843	Defrost Ctl.	Trane
CNT01669 w/ F50N02-820	50N02A-820	RTU Control	Trane
CNT01683	5059-134	Pilot Control	Trane
CNT01704	5059-134	Pilot Control	Trane
CNT01923	47D01U-843	Defrost Ctl.	Trane
CNT01924	47D01U-843	Defrost Ctl.	Trane
CNT01926	47D01U-843	Defrost Ctl.	Trane
CNT02181	50M56X-843, 50M56U-843	Furnace Ctl.	Trane
CNT02182	50M56X-843, 50M56U-843	Furnace Ctl.	Trane

PART REPLACING	SUGGESTED REPLACEMENT(S)	PRODUCT CATEGORY	COMPANY NAME
CNT02183	50M56X-843, 50M56U-843	Furnace Ctl.	Trane
CNT02184	21M51U-843	Furnace Ctl.	Trane
CNT02216 w/ F50N02-820	50N02A-820	RTU Control	Trane
CNT02217 w/ F50N02-820	50N02A-820	RTU Control	Trane
CNT02219 w/ F50N02-820	50N02B-820	RTU Control	Trane
CNT02514	47D01U-843	Defrost Ctl.	Trane
CNT02515	47D01U-843	Defrost Ctl.	Trane
CNT02516	47D01U-843	Defrost Ctl.	Trane
CNT02789	50M56X-843, 50A55-3797, 50A55-843	Furnace Ctl.	Trane
CNT02891	50M56X-843, 50A55-3797, 50A55-843	Furnace Ctl.	Trane
CNT02920	47D01U-843	Defrost Ctl.	Trane
CNT02935	47D01U-843	Defrost Ctl.	Trane
CNT03076	50M56X-843, 50A65-5165, 50A65-843	Furnace Ctl.	Trane
CNT03078	21V51U-843	Furnace Ctl.	Trane
CNT03456	50N02A-820	RTU Control	Trane
CNT03457	50N02A-820	RTU Control	Trane
CNT03458	50N02B-820	RTU Control	Trane
CNT03606	50M56X-843, 50M56U-843	Furnace Ctl.	Trane
CNT03687	36H64-463	Gas Valve	Trane
CNT03715	47D01U-843	Defrost Ctl.	Trane
CNT03716	47D01U-843	Defrost Ctl.	Trane
CNT03740	50M56X-843, 50A55-843, 50M56U-843	Furnace Ctl.	Trane
CNT03742	50M56X-843, 50A65-843, 50M56U-843	Furnace Ctl.	Trane
CNT03777	50V54-820	Furnace Ctl.	Trane
CNT03797	50M56X-843, 50A55-3797, 50M56U-843	Furnace Ctl.	Trane
CNT03798	50M56X-843, 50A65-5165, 50A65-843	Furnace Ctl.	Trane
CNT03799	50M56X-843, 50A55-3797, 50A55-843	Furnace Ctl.	Trane
CNT04362	47D01U-843	Defrost Ctl.	Trane
CNT04363	47D01U-843	Defrost Ctl.	Trane
CNT04364	47D01U-843	Defrost Ctl.	Trane
CNT04366	47D01U-843	Defrost Ctl.	Trane
CNT04368	47D01U-843	Defrost Ctl.	Trane
CNT04664	50M56X-843, 50T35-743, 50M56U-843	Furnace Ctl.	Trane
CNT04678	50V54-820	Furnace Ctl.	Trane
CNT04695	47D01U-843	Defrost Ctl.	Trane
CNT04711	50M56X-843, 50X57-843	Furnace Ctl.	Trane
CNT04721	50D50U-843	Ign. Module	Trane
CNT04722	50D50U-843	Ign. Module	Trane
CNT04912	50N02B-820	RTU Control	Trane
CNT04985	50V54-820	Furnace Ctl.	Trane
CNT05001	47D01U-843	Defrost Ctl.	Trane
CNT05002	47D01U-843	Defrost Ctl.	Trane
CNT05004	47D01U-843	Defrost Ctl.	Trane
CNT05005	47D01U-843	Defrost Ctl.	Trane
CNT05007	47D01U-843	Defrost Ctl.	Trane
CNT05008	47D01U-843	Defrost Ctl.	Trane
CNT05009	47D01U-843	Defrost Ctl.	Trane
CNT05010	47D01U-843	Defrost Ctl.	Trane
CNT05122	21M51U-843	Furnace Ctl.	Trane

## CROSS REFERENCE

PART REPLACING	SUGGESTED REPLACEMENT(S)	PRODUCT CATEGORY	COMPANY NAME
CNT05135	50N02B-820	RTU Control	Trane
CNT05160	50V54-820	Furnace Ctl.	Trane
CNT05164	50M56X-843, 50A65-5165, 50A65-843	Furnace Ctl.	Trane
CNT05165	50M56X-843, 50A65-5165, 50A65-843	Furnace Ctl.	Trane
CNT05482	47D01U-843	Defrost Ctl.	Trane
CNT05875	47D01U-843	Defrost Ctl.	Trane
CNT06017	50V54-820	Furnace Ctl.	Trane
CNT06080	47D01U-843	Defrost Ctl.	Trane
CNT06081	47D01U-843	Defrost Ctl.	Trane
CNT06082	47D01U-843	Defrost Ctl.	Trane
CNT06424	21M51U-843	Furnace Ctl.	Trane
CNT06585	50V54-820	Furnace Ctl.	Trane
CNT06664	50M56X-843, 50X57-843	Furnace Ctl.	Trane
CNT07541	50M56X-843, 50M56U-843	Furnace Ctl.	Trane
CNT07566	21M51U-843	Furnace Ctl.	Trane
CNT07639	50M56X-843	Furnace Ctl.	Trane
CNT07679	50M56X-843, 50M56U-843	Furnace Ctl.	Trane
CNT07737	50M56X-843, 50X57-843	Furnace Ctl.	Trane
CNT07738	50M56X-843, 50X57-843	Furnace Ctl.	Trane
CNT07889	50M56X-843	Furnace Ctl.	Trane
CNT07939	50M56X-843	Furnace Ctl.	Trane
CNT07940	50M56X-843	Furnace Ctl.	Trane
CNT07941	50M56X-843, 50M56U-843	Furnace Ctl.	Trane
CNT07943	50M56X-843, 50M56U-843	Furnace Ctl.	Trane
CNT07983	50M56X-843	Furnace Ctl.	Trane
CNT1011	5059-134	Pilot Control	Trane
CNT1308	21M51U-843	Furnace Ctl.	Trane
CNT1309	50M56X-843, 50M56U-843	Furnace Ctl.	Trane
CNT1316	50E47U-843, 50E47-843	Ign. Module	Trane
CNT1616	50M56X-843, 50M56U-843	Furnace Ctl.	Trane
CNT1683	5059-134	Pilot Control	Trane
CNT1684	50M56X-843, 50A55-843, 50M56U-843	Furnace Ctl.	Trane
CNT1686	50M56X-843, 50A55-843, 50M56U-843	Furnace Ctl.	Trane
CNT1687	50M56X-843, 50A55-843, 50M56U-843	Furnace Ctl.	Trane
CNT1690	50E47U-843, 50E47-843	Ign. Module	Trane
CNT1691	50E47U-843, 50E47-843	Ign. Module	Trane
CNT1704	5059-134	Pilot Control	Trane
CNT1848	50M56X-843, 50M56U-843	Furnace Ctl.	Trane
CNT1849	50M56X-843, 50M56U-843	Furnace Ctl.	Trane
CNT2181	50M56X-843, 50M56U-843	Furnace Ctl.	Trane
CNT2182	50M56X-843, 50M56U-843	Furnace Ctl.	Trane
CNT2183	50M56X-843, 50M56U-843	Furnace Ctl.	Trane
CNT2184	21M51U-843	Furnace Ctl.	Trane
CNT2789	50M56X-843, 50A55-3797, 50A55-843	Furnace Ctl.	Trane
CNT2891	50M56X-843, 50A55-3797, 50A55-843	Furnace Ctl.	Trane
CNT3076	50M56X-843, 50A65-5165, 50A65-843	Furnace Ctl.	Trane
CNT3077	21M51U-843	Furnace Ctl.	Trane
CNT3078	21V51U-843	Furnace Ctl.	Trane
CNT3606	50M56X-843, 50M56U-843	Furnace Ctl.	Trane
CNT3687	36H64-463	Gas Valve	Trane

PART REPLACING	SUGGESTED REPLACEMENT(S)	PRODUCT CATEGORY	COMPANY NAME
CNT3742	50M56X-843, 50A65-843, 50M56U-843	Furnace Ctl.	Trane
CNT3798	50M56X-843, 50A65-5165, 50A65-843	Furnace Ctl.	Trane
CNT3799	50M56X-843, 50A55-3797, 50A55-843	Furnace Ctl.	Trane
CNT4018	21V51U-843	Furnace Ctl.	Trane
CNT4352	21V51U-843	Furnace Ctl.	Trane
CNT4664	50M56X-843, 50T35-743, 50M56U-843	Furnace Ctl.	Trane
CNT4721	50D50U-843	Ign. Module	Trane
CNT4722	50D50U-843	Ign. Module	Trane
CNT5164	50M56X-843, 50A65-5165, 50A65-843	Furnace Ctl.	Trane
CNT5165	50M56X-843, 50A65-5165, 50A65-843	Furnace Ctl.	Trane
CNT6424	21M51U-843	Furnace Ctl.	Trane
CON-1/24/40	49M11-843	Contactora	Hartland Controls
CONT1P025240VS	49M11-843	Contactora	Goodman
CR453CA1HAA	49M11-843	Contactora	GE
CR453CA2AAA	49M11-843	Contactora	GE
CR453CA2BAA	49M11-843	Contactora	GE
CR453CA2HAA	49M11-843	Contactora	GE
CR453CA3HAA	49M11-843	Contactora	GE
CR453CB1AAA	49M11-843	Contactora	GE
CR453CB1BAA	49M11-843	Contactora	GE
CR453CB1HAA	49M11-843	Contactora	GE
CR453CB2AAA	49M11-843	Contactora	GE
CR453CB2BAA	49M11-843	Contactora	GE
CR453CB2HAA	49M11-843	Contactora	GE
CR453CB3AAA	49M11-843	Contactora	GE
CR453CB3BAA	49M11-843	Contactora	GE
CR453CB3HAA	49M11-843	Contactora	GE
CR453CC1AAA	49M11-843	Contactora	GE
CR453CC1BAA	49M11-843	Contactora	GE
CR453CC1HAA	49M11-843	Contactora	GE
CR453CC2AAA	49M11-843	Contactora	GE
CR453CC2BAA	49M11-843	Contactora	GE
CR453CC2HAA	49M11-843	Contactora	GE
CR453CC3AAA	49M11-843	Contactora	GE
CR453CC3BAA	49M11-843	Contactora	GE
CR453CC3HAA	49M11-843	Contactora	GE
CR453CD1HAA	49M11-843	Contactora	GE
CR453CD2HAA	49M11-843	Contactora	GE
CR453CD3HAA	49M11-843	Contactora	GE
CS5278A1007	36C03U-433	Gas Valve	Honeywell
CS5278A1015	36C03U-433	Gas Valve	Honeywell
CS5296A1017	36C03U-433	Gas Valve	Honeywell
CS580B 1005	36C03U-333	Gas Valve	Honeywell
CS586C 1007	36C03U-433	Gas Valve	Honeywell
CSA35A-617R	50D50U-843	Ign. Module	Johnson Controls
CSA35A-618R	50D50U-843	Ign. Module	Johnson Controls
CSA42A-600R	50D50U-843	Ign. Module	Johnson Controls
CSA42A-601R	50D50U-843	Ign. Module	Johnson Controls

## CROSS REFERENCE

PART REPLACING	SUGGESTED REPLACEMENT(S)	PRODUCT CATEGORY	COMPANY NAME
CSA42A-602R	50D50U-843	Ign. Module	Johnson Controls
CSA42A-603R	50D50U-843	Ign. Module	Johnson Controls
CSA42A-604R	50D50U-843	Ign. Module	Johnson Controls
CSA43A-600R	50D50U-843	Ign. Module	Johnson Controls
CSA44A-600R	50D50U-843	Ign. Module	Johnson Controls
CSA45A-601R	50D50U-843	Ign. Module	Johnson Controls
CSA45A-602R	50D50U-843	Ign. Module	Johnson Controls
CSA46A-600R	50D50U-843	Ign. Module	Johnson Controls
CSA48A-600R	50D50U-843	Ign. Module	Johnson Controls
CSA49A-600R	50D50U-843	Ign. Module	Johnson Controls
CSA49A-605R	50D50U-843	Ign. Module	Johnson Controls
CSA51A-601R	50D50U-843	Ign. Module	Johnson Controls
CSA52A-600R	50D50U-843	Ign. Module	Johnson Controls
CTR2573	49M11-843	Contactora	Trane
CTR2574	49M11-843	Contactora	Trane
CTR2579	49M11-843	Contactora	Trane
D156245P01	21V51U-843	Furnace Ctl.	Trane
D156805P01	789A-820KT1, 789A-820	Ignitor	Trane
D158832P01	50M56X-843	Furnace Ctl.	Trane
D25161	3046-5	Flame Sensor	GT Mfg
D2827A	50E47U-843	Ign. Module	Insinger
D330927P01	50M56X-843, 50A55-843, 50M56U-843	Furnace Ctl.	Trane
D330930P01	50M56X-843, 50A55-843, 50M56U-843	Furnace Ctl.	Trane
D330934P01	50M56X-843, 50A55-843, 50M56U-843	Furnace Ctl.	Trane
D330937P01	21M51U-843	Furnace Ctl.	Trane
D340021P01	21M51U-843	Furnace Ctl.	Trane
D340035P01	50M56X-843, 50A55-843, 50M56U-843	Furnace Ctl.	Trane
D340354P01	50M56X-843, 50M56U-843	Furnace Ctl.	Trane
D340774P01	50M56X-843, 50A55-843, 50M56U-843	Furnace Ctl.	Trane
D340790P01	50M56X-843, 50M56U-843	Furnace Ctl.	Trane
D341122P01	50M56X-843, 50A55-3797, 50A55-843	Furnace Ctl.	Trane
D341213P01	50M56X-843, 50A65-5165, 50A65-843	Furnace Ctl.	Trane
D341235P01	50M56X-843, 50A55-3797, 50A55-843	Furnace Ctl.	Trane
D341235P02	50M56X-843, 50A55-843, 50M56U-843	Furnace Ctl.	Trane
D341235P03	50M56X-843, 50A55-3797, 50A55-843	Furnace Ctl.	Trane
D341396P01	50M56X-843, 50A65-5165, 50A65-843	Furnace Ctl.	Trane
D341396P03	50M56X-843, 50A65-5165, 50A65-843	Furnace Ctl.	Trane
D341396P04	50M56X-843, 50A65-5165, 50A65-843	Furnace Ctl.	Trane
D341396P05	50M56X-843, 50A65-5165, 50A65-843	Furnace Ctl.	Trane
D34139P03	50M56X-843	Furnace Ctl.	American Std.
D341418P01	21M51U-843	Furnace Ctl.	Trane

PART REPLACING	SUGGESTED REPLACEMENT(S)	PRODUCT CATEGORY	COMPANY NAME
D341418P02	21M51U-843	Furnace Ctl.	Trane
D34142P01	21V51U-843	Furnace Ctl.	Trane
D342062P01	50V54-820	Furnace Ctl.	Trane
D342263P01	50V54-820	Furnace Ctl.	Trane
D342263P02	50V54-820	Furnace Ctl.	Trane
D342263P03	50V54-820	Furnace Ctl.	Trane
D342263P04	50V54-820	Furnace Ctl.	Trane
D342359P01	50M56X-843, 50X57-843	Furnace Ctl.	Trane
D342359P02	50M56X-843, 50X57-843	Furnace Ctl.	Trane
D342359P03	50M56X-843, 50X57-843	Furnace Ctl.	Trane
D342359P04	50M56X-843, 50X57-843	Furnace Ctl.	Trane
D343687P01	50V54-820	Furnace Ctl.	Trane
D343687P02	50V54-820	Furnace Ctl.	Trane
D344301P01	21M51U-843	Furnace Ctl.	Trane
D345780P01	50M56X-843, 50M56U-843	Furnace Ctl.	Trane
D345780P02	50M56X-843, 50M56U-843	Furnace Ctl.	Trane
D345780P03	50M56X-843, 50M56U-843	Furnace Ctl.	Trane
D346300P01	50M56X-843	Furnace Ctl.	Trane
D346306P01	50M56X-843	Furnace Ctl.	Trane
D346307P01	50M56X-843	Furnace Ctl.	Trane
D670786P01	36J54-214, 36H64-463	Gas Valve	Trane
D673493P01	36J22-214, 36H32-423	Gas Valve	Trane
D674536P01	36J22-214, 36H32-423	Gas Valve	Trane
D674537P01	36J54-214, 36H64-463	Gas Valve	Trane
D674539P01	36J24-214, 36H33-412	Gas Valve	Trane
D674540P01	36J22-214, 36H32-423	Gas Valve	Trane
D674541P01	36J54-214, 36H64-463	Gas Valve	Trane
D674541P02	36J54-214	Gas Valve	Trane
D674542P01	36J54-214, 36H64-463	Gas Valve	Trane
D674713P01	50N02B-820	RTU Control	Trane
D99182	767A-369	Ignitor	Amana
D9918202A	767A-369	Ignitor	Amana
DB406	767A-374	Ignitor	Directbrand
DB7110U1000	47D01U-843	Defrost Ctl.	Honeywell
DC33-01005C	25M01A-101	Gas Valve	Samsung
DDL-013002-0RH	47D40-801, 47D01U-843	Defrost Ctl.	Rheem
DDL-013002-1RH	47D40-801, 47D01U-843	Defrost Ctl.	Rheem
DDL-013102-1RH	47D40-801, 47D01U-843	Defrost Ctl.	Rheem
DDL-017002-2RH	47D40-801, 47D01U-843	Defrost Ctl.	Rheem
DDL-017102-1RH	47D40-801, 47D01U-843	Defrost Ctl.	Rheem
DDL-017702-1RH	47D40-801, 47D01U-843	Defrost Ctl.	Rheem
DDL-117702-3RH	47D40-801, 47D01U-843	Defrost Ctl.	Rheem
DDL-122131-2RH	47D43-811, 47D01U-843	Defrost Ctl.	Rheem
DDL-30011-ICP	47D01U-843	Defrost Ctl.	Carrier
DFBK01	47D01U-843	Defrost Ctl.	Goodman
DFORB24A21300	47D01U-843	Defrost Ctl.	ICM
DFORB-AB1004	47D01U-843	Defrost Ctl.	ICM
DFORF	47D01U-843	Defrost Ctl.	ICM
DFOS-AD1008	47D01U-843	Defrost Ctl.	York
DFOSP24A2	47D01U-843	Defrost Ctl.	ICM
DP1030A1000	49M11-843	Contactora	Honeywell
DP11	49M11-843	Contactora	Square D
DP12	49M11-843	Contactora	Square D

## CROSS REFERENCE

PART REPLACING	SUGGESTED REPLACEMENT(S)	PRODUCT CATEGORY	COMPANY NAME
DP20242	49M11-843	Contacto	Supco
DP2030A5012	49M11-843	Contacto	Honeywell
DP21	49M11-843	Contacto	Square D
DP22	49M11-843	Contacto	Square D
DP25224	49M11-843	Contacto	Square D
DP25241	49M11-843	Contacto	Supco
DP25242	49M11-843	Contacto	Supco
DP30224	49M11-843	Contacto	Square D
DP30241	49M11-843	Contacto	Supco
DP30242	49M11-843	Contacto	Supco
DP31	49M11-843	Contacto	Square D
DP32	49M11-843	Contacto	Square D
DS418KJ	767A-385, 767A-378, 21D64-44	Ignitor	Surface Ignitor
DT2	47D01U-843	Defrost Ctl.	Ranco
DT2-1000	47D01U-843	Defrost Ctl.	Robertshaw
DTL-100000-LXA	47D01U-843	Defrost Ctl.	Lennox
DTL-300000-ICP	47D01U-843	Defrost Ctl.	Carrier
DTL-500000-001	47D01U-843	Defrost Ctl.	Goodman
EC30224	49M11-843	Contacto	DiversiTech
EF32CB194	36H32-304, 36H32-423	Gas Valve	Carrier
EF32CB195	36H32-214, 36H32-304, 36H32-423	Gas Valve	Carrier
EF32CB197A	36C94-303	Gas Valve	Carrier
EF32CB198A	36C94-303	Gas Valve	Carrier
EF32CB201	36J22-214, 36H32-423	Gas Valve	Carrier
EF32CB202	36H32-214, 36H32-304, 36H32-423	Gas Valve	Carrier
EF32CB210	36H32-214, 36H32-304	Gas Valve	Carrier
EF32CW031	36J22-214, 36H32-423	Gas Valve	Carrier
EF32CW035	36J22-214, 36H32-423	Gas Valve	Carrier
EF32CW151	36J24-214	Gas Valve	Carrier
EF32CW152	36J24-214	Gas Valve	Carrier
EF32CW181	36H32-214, 36H32-304	Gas Valve	Carrier
EF32CW183	36C94-303	Gas Valve	Carrier
EF32CW183A	36C94-303	Gas Valve	Carrier
EF32CW184A	36C94-303	Gas Valve	Carrier
EF32CW187	36H64-463	Gas Valve	Carrier
EF32CW188	36H64-463	Gas Valve	Carrier
EF32CW189A	36H32-214, 36H32-304	Gas Valve	Carrier
EF32CW190	36H32-304, 36H32-423	Gas Valve	Carrier
EF32CW192	36H33-412	Gas Valve	Carrier
EF32CW193	36H64-463	Gas Valve	Carrier
EF32CW194	36H64-463	Gas Valve	Carrier
EF32CW197	36H33-412	Gas Valve	Carrier
EF32CW198	36H33-412	Gas Valve	Carrier
EF32CW200	36H33-412	Gas Valve	Carrier
EF32CW201	36J24-214, 36H33-412	Gas Valve	Carrier
EF32CW202	36J22-214	Gas Valve	Carrier
EF32CW203	36J24-214	Gas Valve	Carrier
EF32CW204	36J24-214, 36H33-412	Gas Valve	Carrier
EF32CW206	36J24-614	Gas Valve	Carrier
EF32CW207	36J24-214, 36H33-412	Gas Valve	Carrier
EF32CW208	36J24-214, 36H33-412	Gas Valve	Carrier
EF32CW210	36J24-614	Gas Valve	Carrier
EF32CW211	36J24-214, 36H33-412	Gas Valve	Carrier

PART REPLACING	SUGGESTED REPLACEMENT(S)	PRODUCT CATEGORY	COMPANY NAME
EF32CW213	36J24-214, 36H33-412	Gas Valve	Carrier
EF32CW233	36C94-303	Gas Valve	Carrier
EF32CW262	36H64-463	Gas Valve	Carrier
EF32W184	36C94-303	Gas Valve	Carrier
EF33CB262	36H64-463	Gas Valve	Carrier
EF33CB265	36H64-463	Gas Valve	Carrier
EF33CB268	36H64-463	Gas Valve	Carrier
EF33CB269	36H64-463	Gas Valve	Carrier
EF33CB270	36H64-463	Gas Valve	Carrier
EF33CB271	36H64-463	Gas Valve	Carrier
EF33CB272	36H64-463	Gas Valve	Carrier
EF33CB273	36H64-463	Gas Valve	Carrier
EF33CW152	36J55-214	Gas Valve	Carrier
EF33CW180	36J55-614	Gas Valve	Carrier
EF33CW182	36J54-214	Gas Valve	Carrier
EF33CW183	36J54-214	Gas Valve	Carrier
EF33CW184	36J55-214	Gas Valve	Carrier
EF33CW185	36J55-214	Gas Valve	Carrier
EF33CW186	36J54-214, 36H64-463	Gas Valve	Carrier
EF33CW187	36J54-214, 36H64-463	Gas Valve	Carrier
EF33CW187A	36J54-214, 36H64-463	Gas Valve	Carrier
EF33CW188	36H64-463	Gas Valve	Carrier
EF33CW189	36H64-463	Gas Valve	Carrier
EF33CW191	36J55-214, 36H65-401	Gas Valve	Carrier
EF33CW192	36J55-614	Gas Valve	Carrier
EF33CW195	36J54-214	Gas Valve	Carrier
EF33CW196	36J55-214	Gas Valve	Carrier
EF33CW198	36J55-214, 36H65-401	Gas Valve	Carrier
EF33CW199	36J55-214	Gas Valve	Carrier
EF33CW200	36J55-214	Gas Valve	Carrier
EF33CW201	36J54-214, 36H65-401	Gas Valve	Carrier
EF33CW204	36J55-214, 36H65-401	Gas Valve	Carrier
EF33CW205	36J55-214	Gas Valve	Carrier
EF33CW206	36J55-214	Gas Valve	Carrier
EF33CW245	36H64-463	Gas Valve	Carrier
EF33CW271	36H64-463	Gas Valve	Carrier
EF33CW272	36H64-463	Gas Valve	Carrier
EF33CW273	36H64-463	Gas Valve	Carrier
EF33CW276	36H64-463	Gas Valve	Carrier
EF33CW277	36H64-463	Gas Valve	Carrier
EF33CW278	36H64-463	Gas Valve	Carrier
EF34CW154	36J27-554	Gas Valve	Carrier
EF34CW181	36J27-554	Gas Valve	Carrier
EF34CW246	36H32-423	Gas Valve	Carrier
EF660015	36J24-214	Gas Valve	Carrier
EF680044	36H64-463	Gas Valve	Carrier
EF680068	36G22-254	Gas Valve	Carrier
EL02-0165	50D50U-843	Ign. Module	Picard
F28-0236	3046-5	Flame Sensor	White-Rodgers
F28-0262	3046-5	Flame Sensor	White-Rodgers
F50N02-820	F50N02-820	RTU Control	Trane
F767A-356	767A-356	Ignitor	White-Rodgers
F767A-357	767A-357, 21D64-2	Ignitor	White-Rodgers

## CROSS REFERENCE

PART REPLACING	SUGGESTED REPLACEMENT(S)	PRODUCT CATEGORY	COMPANY NAME
F767A-361	767A-361, 21D64-2	Ignitor	White-Rodgers
FC007	21D64-44	Ignitor	Surface Ignitor
FC024	21D64-44	Ignitor	Surface Ignitor
FC035	21D64-44	Ignitor	Surface Ignitor
FC046	21D64-44	Ignitor	Surface Ignitor
FC050	21D64-44	Ignitor	Surface Ignitor
FC051	21D64-44	Ignitor	Surface Ignitor
FC055	21D64-44	Ignitor	Surface Ignitor
FC-74	791P-751KT1	Pilot Control	DiversiTech
FI-401	767A-369	Ignitor	Eaton
FI-412	767A-373, 21D64-2	Ignitor	Eaton
FK105693	50D50U-843	Ign. Module	Cleveland Range
FLS0005	791P-751KT1	Pilot Control	Supco
FLS010	790-707A1, 790-843A1	Flame Sensor	Supco
FLS013	790-843A1, 790-843A5PK	Flame Sensor	Supco
FLS014	790-751A1, 790-843A1	Flame Sensor	Supco
FLS201	790-843A1, 790-843A5PK	Flame Sensor	Supco
FLS301	790-843A1, 790-843A5PK	Flame Sensor	Supco
FLS401	790-843A1, 790-843A5PK	Flame Sensor	Supco
FLS52W29	790-843A1, 790-843A5PK	Flame Sensor	Supco
FLS700	790-956A1, 790-843A1	Flame Sensor	Supco
FM-100	5059-134	Pilot Control	Wayne Comb.
FP2357	36J24-214	Gas Valve	Carrier
FP2359	36H33-412	Gas Valve	Carrier
FP2367	36J22-214	Gas Valve	Carrier
FP2368	36H32-304	Gas Valve	Carrier
FP2369	36H32-423	Gas Valve	Carrier
FP2469	36H64-463	Gas Valve	Carrier
G008	764-742	Gas Valve	Cater Needs
G-170	36H32-214, 36H32-304	Gas Valve	Consolidated
G600AX-1	50D50U-843	Ign. Module	Johnson Controls
G600AX-2	50D50U-843	Ign. Module	Johnson Controls
G600AX-3	50D50U-843	Ign. Module	Johnson Controls
G600AY-1	50D50U-843	Ign. Module	Johnson Controls
G600LX-1	50D50U-843	Ign. Module	Johnson Controls
G600LX-2	50D50U-843	Ign. Module	Johnson Controls
G600LY-1	50D50U-843	Ign. Module	Johnson Controls
G600MX-1	50D50U-843	Ign. Module	Johnson Controls
G600NX-1	50D50U-843	Ign. Module	Johnson Controls
G600RX-1	50D50U-843	Ign. Module	Johnson Controls
G60AAA-1	50D50U-843	Ign. Module	Johnson Controls
G60AAG-1	50D50U-843	Ign. Module	Johnson Controls
G60AAG-2	50D50U-843	Ign. Module	Johnson Controls

PART REPLACING	SUGGESTED REPLACEMENT(S)	PRODUCT CATEGORY	COMPANY NAME
G60AAG-3	50D50U-843	Ign. Module	Johnson Controls
G60AAG-4	50D50U-843	Ign. Module	Johnson Controls
G60AAG-5	50D50U-843	Ign. Module	Johnson Controls
G60AAG-6	50D50U-843	Ign. Module	Johnson Controls
G60AAG-7	50D50U-843	Ign. Module	Johnson Controls
G60CAA-1	50D50U-843	Ign. Module	Johnson Controls
G60CAA-3	50D50U-843	Ign. Module	Johnson Controls
G60CAG-1	50D50U-843	Ign. Module	Johnson Controls
G60CAG-2	50D50U-843	Ign. Module	Johnson Controls
G60CAG-3	50D50U-843	Ign. Module	Johnson Controls
G60CAG-4	50D50U-843	Ign. Module	Johnson Controls
G60CAG-5	50D50U-843	Ign. Module	Johnson Controls
G60CAG-6	50D50U-843	Ign. Module	Johnson Controls
G60CAG-7	50D50U-843	Ign. Module	Johnson Controls
G60CAG-8	50D50U-843	Ign. Module	Johnson Controls
G60CAG-9	50D50U-843	Ign. Module	Johnson Controls
G60CBA-1	50D50U-843	Ign. Module	Johnson Controls
G60CBA-2	50D50U-843	Ign. Module	Johnson Controls
G60CBA-3	50D50U-843	Ign. Module	Johnson Controls
G60CBG-1	50D50U-843	Ign. Module	Johnson Controls
G60CBG-10	50D50U-843	Ign. Module	Johnson Controls
G60CBG-11	50D50U-843	Ign. Module	Johnson Controls
G60CBG-12	50D50U-843	Ign. Module	Johnson Controls
G60CBG-13	50D50U-843	Ign. Module	Johnson Controls
G60CBG-14	50D50U-843	Ign. Module	Johnson Controls
G60CBG-15	50D50U-843	Ign. Module	Johnson Controls
G60CBG-16	50D50U-843	Ign. Module	Johnson Controls
G60CBG-17	50D50U-843	Ign. Module	Johnson Controls
G60CBG-2	50D50U-843	Ign. Module	Johnson Controls
G60CBG-3	50D50U-843	Ign. Module	Johnson Controls
G60CBG-4	50D50U-843	Ign. Module	Johnson Controls
G60CBG-5	50D50U-843	Ign. Module	Johnson Controls



## CROSS REFERENCE

PART REPLACING	SUGGESTED REPLACEMENT(S)	PRODUCT CATEGORY	COMPANY NAME
G60CBG-6	50D50U-843	Ign. Module	Johnson Controls
G60CBG-7	50D50U-843	Ign. Module	Johnson Controls
G60CBG-8	50D50U-843	Ign. Module	Johnson Controls
G60CBG-9	50D50U-843	Ign. Module	Johnson Controls
G60CCA-1	50D50U-843	Ign. Module	Johnson Controls
G60CCG-1	50D50U-843	Ign. Module	Johnson Controls
G60CPG-1	50D50U-843	Ign. Module	Johnson Controls
G60DBG-1	50D50U-843	Ign. Module	Johnson Controls
G60DCG-1	50D50U-843	Ign. Module	Johnson Controls
G60DCG-2	50D50U-843	Ign. Module	Johnson Controls
G60DCG-3	50D50U-843	Ign. Module	Johnson Controls
G60DCG-4	50D50U-843	Ign. Module	Johnson Controls
G60PAG-1	50D50U-843	Ign. Module	Johnson Controls
G60PAG-2	50D50U-843	Ign. Module	Johnson Controls
G60PAG-3	50D50U-843	Ign. Module	Johnson Controls
G60PAG-4	50D50U-843	Ign. Module	Johnson Controls
G60PAG-5	50D50U-843	Ign. Module	Johnson Controls
G60PAG-6	50D50U-843	Ign. Module	Johnson Controls
G60PAJ-1	50D50U-843	Ign. Module	Johnson Controls
G60PAK-1	50D50U-843	Ign. Module	Johnson Controls
G60PAK-2	50D50U-843	Ign. Module	Johnson Controls
G60PFH-1	50D50U-843	Ign. Module	Johnson Controls
G60PFH-2	50D50U-843	Ign. Module	Johnson Controls
G60PFL-1	50D50U-843	Ign. Module	Johnson Controls
G60PFQ-1	50D50U-843	Ign. Module	Johnson Controls
G60PVL-1	50D50U-843	Ign. Module	Johnson Controls
G60QAG-1	50D50U-843	Ign. Module	Johnson Controls
G60QAG-2	50D50U-843	Ign. Module	Johnson Controls
G60QAG-3	50D50U-843	Ign. Module	Johnson Controls
G60QAG-4	50D50U-843	Ign. Module	Johnson Controls
G60QAK-1	50D50U-843	Ign. Module	Johnson Controls
G60QBG-1	50D50U-843	Ign. Module	Johnson Controls

PART REPLACING	SUGGESTED REPLACEMENT(S)	PRODUCT CATEGORY	COMPANY NAME
G60QBG-2	50D50U-843	Ign. Module	Johnson Controls
G60QBG-3	50D50U-843	Ign. Module	Johnson Controls
G60QBG-4	50D50U-843	Ign. Module	Johnson Controls
G60QBG-5	50D50U-843	Ign. Module	Johnson Controls
G60QBG-6	50D50U-843	Ign. Module	Johnson Controls
G60QBG-7	50D50U-843	Ign. Module	Johnson Controls
G60QBG-8	50D50U-843	Ign. Module	Johnson Controls
G60QBG-9	50D50U-843	Ign. Module	Johnson Controls
G60QBH-1	50D50U-843	Ign. Module	Johnson Controls
G60QBK-1	50D50U-843	Ign. Module	Johnson Controls
G60QBK-2	50D50U-843	Ign. Module	Johnson Controls
G60QBK-3	50D50U-843	Ign. Module	Johnson Controls
G60QBL-1	50D50U-843	Ign. Module	Johnson Controls
G60QBL-2	50D50U-843	Ign. Module	Johnson Controls
G60QCG-1	50D50U-843	Ign. Module	Johnson Controls
G60QCJ-1	50D50U-843	Ign. Module	Johnson Controls
G60QCL-1	50D50U-843	Ign. Module	Johnson Controls
G60QDG-1	50D50U-843	Ign. Module	Johnson Controls
G60QFL-1	50D50U-843	Ign. Module	Johnson Controls
G60QGH-1	50D50U-843	Ign. Module	Johnson Controls
G60QHL-1	50D50U-843	Ign. Module	Johnson Controls
G60QHL-2	50D50U-843	Ign. Module	Johnson Controls
G60QJL-1	50D50U-843	Ign. Module	Johnson Controls
G60QLG-1	50D50U-843	Ign. Module	Johnson Controls
G60QLK-1	50D50U-843	Ign. Module	Johnson Controls
G60QPL-1	50D50U-843	Ign. Module	Johnson Controls
G60QRH-1	50D50U-843	Ign. Module	Johnson Controls
G60QRH-2	50D50U-843	Ign. Module	Johnson Controls
G60QRH-3	50D50U-843	Ign. Module	Johnson Controls
G60QRL-1	50D50U-843	Ign. Module	Johnson Controls
G60QRL-2	50D50U-843	Ign. Module	Johnson Controls
G60QRL-3	50D50U-843	Ign. Module	Johnson Controls

## CROSS REFERENCE

PART REPLACING	SUGGESTED REPLACEMENT(S)	PRODUCT CATEGORY	COMPANY NAME
G60QSL-1	50D50U-843	Ign. Module	Johnson Controls
G60QTH-1	50D50U-843	Ign. Module	Johnson Controls
G60QTL-1	50D50U-843	Ign. Module	Johnson Controls
G60RAG-1	50D50U-843	Ign. Module	Johnson Controls
G60RAK-1	50D50U-843	Ign. Module	Johnson Controls
G60RBG-1	50D50U-843	Ign. Module	Johnson Controls
G60RBG-2	50D50U-843	Ign. Module	Johnson Controls
G60RBG-3	50D50U-843	Ign. Module	Johnson Controls
G60RBK-1	50D50U-843	Ign. Module	Johnson Controls
G60RBK-2	50D50U-843	Ign. Module	Johnson Controls
G60RCG-1	50D50U-843	Ign. Module	Johnson Controls
G60RCG-2	50D50U-843	Ign. Module	Johnson Controls
G60RCJ-1	50D50U-843	Ign. Module	Johnson Controls
G60RDG-1	50D50U-843	Ign. Module	Johnson Controls
G60RDK-1	50D50U-843	Ign. Module	Johnson Controls
G60RGL-1	50D50U-843	Ign. Module	Johnson Controls
G60RHL-1	50D50U-843	Ign. Module	Johnson Controls
G60RHP-1	50D50U-843	Ign. Module	Johnson Controls
G60RPL-1	50D50U-843	Ign. Module	Johnson Controls
G60RSL-1	50D50U-843	Ign. Module	Johnson Controls
G60TTL-1	50D50U-843	Ign. Module	Johnson Controls
G60ZAG-1	50D50U-843	Ign. Module	Johnson Controls
G60ZAG-2	50D50U-843	Ign. Module	Johnson Controls
G65BBG-1	50D50U-843	Ign. Module	Johnson Controls
G65BBG-2	50D50U-843	Ign. Module	Johnson Controls
G65BBG-3	50D50U-843	Ign. Module	Johnson Controls
G65BBG-4	50D50U-843	Ign. Module	Johnson Controls
G65BBG-5	50D50U-843	Ign. Module	Johnson Controls
G65BBG-6	50D50U-843	Ign. Module	Johnson Controls
G65BBG-7	50D50U-843	Ign. Module	Johnson Controls
G65BBG-8	50D50U-843	Ign. Module	Johnson Controls
G65BBM-1	50D50U-843	Ign. Module	Johnson Controls

PART REPLACING	SUGGESTED REPLACEMENT(S)	PRODUCT CATEGORY	COMPANY NAME
G65BBM-2	50D50U-843	Ign. Module	Johnson Controls
G65BBM-3	50D50U-843	Ign. Module	Johnson Controls
G65BBM-4	50D50U-843	Ign. Module	Johnson Controls
G65BCG-1	50D50U-843	Ign. Module	Johnson Controls
G65BCM-1	50D50U-843	Ign. Module	Johnson Controls
G65BFG-1	50D50U-843	Ign. Module	Johnson Controls
G65BFM	50D50U-843	Ign. Module	Johnson Controls
G65BKG-1	50D50U-843	Ign. Module	Johnson Controls
G65BKG-2	50D50U-843	Ign. Module	Johnson Controls
G65BKG-3	50D50U-843	Ign. Module	Johnson Controls
G65BKM-1	50D50U-843	Ign. Module	Johnson Controls
G65BKM-2	50D50U-843	Ign. Module	Johnson Controls
G65BKM-3	50D50U-843	Ign. Module	Johnson Controls
G65BLG-1	50D50U-843	Ign. Module	Johnson Controls
G65BLG-2	50D50U-843	Ign. Module	Johnson Controls
G65DBG	50D50U-843	Ign. Module	Johnson Controls
G65DBM-1	50D50U-843	Ign. Module	Johnson Controls
G65DBM-2	50D50U-843	Ign. Module	Johnson Controls
G65DBM-3	50D50U-843	Ign. Module	Johnson Controls
G65DCM-1	50D50U-843	Ign. Module	Johnson Controls
G65DFG	50D50U-843	Ign. Module	Johnson Controls
G65DFM-1	50D50U-843	Ign. Module	Johnson Controls
G65DKG	50D50U-843	Ign. Module	Johnson Controls
G65DKM	50D50U-843	Ign. Module	Johnson Controls
G65DKM-1	50D50U-843	Ign. Module	Johnson Controls
G65DLM-1	50D50U-843	Ign. Module	Johnson Controls
G65FBG	50D50U-843	Ign. Module	Johnson Controls
G65FFG	50D50U-843	Ign. Module	Johnson Controls
G65FKG	50D50U-843	Ign. Module	Johnson Controls
G66AG-1	50D50U-843	Ign. Module	Johnson Controls
G66AG-2	50D50U-843	Ign. Module	Johnson Controls
G66BG-1	50D50U-843	Ign. Module	Johnson Controls

## CROSS REFERENCE

PART REPLACING	SUGGESTED REPLACEMENT(S)	PRODUCT CATEGORY	COMPANY NAME	PART REPLACING	SUGGESTED REPLACEMENT(S)	PRODUCT CATEGORY	COMPANY NAME
G66MG-1	50D50U-843	Ign. Module	Johnson Controls	G765BAD-1	50D50U-843	Ign. Module	Johnson Controls
G66MG-2	50D50U-843	Ign. Module	Johnson Controls	G765BAD-1R	50D50U-843	Ign. Module	Johnson Controls
G66NG-1	50D50U-843	Ign. Module	Johnson Controls	G765BCA-12	50D50U-843	Ign. Module	Johnson Controls
G670AW-1	50D50U-843	Ign. Module	Johnson Controls	G765BCA-12R	50D50U-843	Ign. Module	Johnson Controls
G670AW-2	50D50U-843	Ign. Module	Johnson Controls	G770LGA-1	50D50U-843	Ign. Module	Johnson Controls
G670GA-1	50D50U-843	Ign. Module	Johnson Controls	G770LGA-2	50D50U-843	Ign. Module	Johnson Controls
G67AG-10	50D50U-843	Ign. Module	Johnson Controls	G770LGC-1	50D50U-843	Ign. Module	Johnson Controls
G67AG-11	50D50U-843	Ign. Module	Johnson Controls	G770LGC-2	50D50U-843	Ign. Module	Johnson Controls
G67AG-3	50D50U-843	Ign. Module	Johnson Controls	G770LGC-3	50D50U-843	Ign. Module	Johnson Controls
G67AG-4	50D50U-843	Ign. Module	Johnson Controls	G770LGC-4	50D50U-843	Ign. Module	Johnson Controls
G67AG-7	50D50U-843	Ign. Module	Johnson Controls	G770LHA-1	50D50U-843	Ign. Module	Johnson Controls
G67AG-8	50D50U-843	Ign. Module	Johnson Controls	G770LHA-2	50D50U-843	Ign. Module	Johnson Controls
G67AG-9	50D50U-843	Ign. Module	Johnson Controls	G770LHC-1	50D50U-843	Ign. Module	Johnson Controls
G67BG-2	50D50U-843	Ign. Module	Johnson Controls	G770MGA-1	50D50U-843	Ign. Module	Johnson Controls
G67BG-3	50D50U-843	Ign. Module	Johnson Controls	G770MGA-2	50D50U-843	Ign. Module	Johnson Controls
G67BG-4	50D50U-843	Ign. Module	Johnson Controls	G770MGA-3	50D50U-843	Ign. Module	Johnson Controls
G67BG-5	50D50U-843	Ign. Module	Johnson Controls	G770MGC-1	50D50U-843	Ign. Module	Johnson Controls
G67MG-1	50D50U-843	Ign. Module	Johnson Controls	G770MGC-2	50D50U-843	Ign. Module	Johnson Controls
G67MG-2	50D50U-843	Ign. Module	Johnson Controls	G770MGC-3	50D50U-843	Ign. Module	Johnson Controls
G67MG-3	50D50U-843	Ign. Module	Johnson Controls	G770MGC-4	50D50U-843	Ign. Module	Johnson Controls
G67MG-4	50D50U-843	Ign. Module	Johnson Controls	G770MGC-5	50D50U-843	Ign. Module	Johnson Controls
G67NG-2	50D50U-843	Ign. Module	Johnson Controls	G770MGC-6	50D50U-843	Ign. Module	Johnson Controls
G67NG-4	50D50U-843	Ign. Module	Johnson Controls	G770MHA-1	50D50U-843	Ign. Module	Johnson Controls
G760AAC-1	50D50U-843	Ign. Module	Johnson Controls	G770MHA-2	50D50U-843	Ign. Module	Johnson Controls
G760AAD-1	50D50U-843	Ign. Module	Johnson Controls	G770MHC-1	50D50U-843	Ign. Module	Johnson Controls
G760AAD-2	50D50U-843	Ign. Module	Johnson Controls	G770NGA-1	50D50U-843	Ign. Module	Johnson Controls
G760ACA-1	50D50U-843	Ign. Module	Johnson Controls	G770NGC-4	50D50U-843	Ign. Module	Johnson Controls
G760BAD-1	50D50U-843	Ign. Module	Johnson Controls	G770NGC-5	50D50U-843	Ign. Module	Johnson Controls
G760BAD-2	50D50U-843	Ign. Module	Johnson Controls	G770NGC-6	50D50U-843	Ign. Module	Johnson Controls
G760BBD-1	50D50U-843	Ign. Module	Johnson Controls	G770NGC-7	50D50U-843	Ign. Module	Johnson Controls
G760BCD-1	50D50U-843	Ign. Module	Johnson Controls	G770NHA-1	50D50U-843	Ign. Module	Johnson Controls
G760CAD-1	50D50U-843	Ign. Module	Johnson Controls	G770NHC-1	50D50U-843	Ign. Module	Johnson Controls

## CROSS REFERENCE

PART REPLACING	SUGGESTED REPLACEMENT(S)	PRODUCT CATEGORY	COMPANY NAME
G770RGA-1	50D50U-843	Ign. Module	Johnson Controls
G770RHA-1	50D50U-843	Ign. Module	Johnson Controls
G770RHA-2	50D50U-843	Ign. Module	Johnson Controls
G775RGA-1	50D50U-843	Ign. Module	Johnson Controls
G775RHA-1	50D50U-843	Ign. Module	Johnson Controls
G775RHA-2	50D50U-843	Ign. Module	Johnson Controls
G775RJD-10D	50D50U-843	Ign. Module	Johnson Controls
G775RJD-12	50D50U-843	Ign. Module	Johnson Controls
G775RJD-12D	50D50U-843	Ign. Module	Johnson Controls
G775RJD-13	50D50U-843	Ign. Module	Johnson Controls
G775RJD-13D	50D50U-843	Ign. Module	Johnson Controls
G775RJD-15C	50D50U-843	Ign. Module	Johnson Controls
G776RDG-1	50D50-801	Ign. Module	York
G776RDG-10	50D50-801	Ign. Module	York
G776RDG-11	50D50-801	Ign. Module	York
G776RDG-14	50D50-801	Ign. Module	York
G776RDG-2	50D50-801	Ign. Module	York
G776RGD-1	50D50U-843	Ign. Module	Johnson Controls
G776RGD-10	50D50U-843	Ign. Module	Johnson Controls
G776RGD-11	50D50U-843	Ign. Module	Johnson Controls
G776RGD-14	50D50U-843	Ign. Module	Johnson Controls
G776RGD-14C	50D50U-843	Ign. Module	Johnson Controls
G776RGD-2	50D50U-843	Ign. Module	Johnson Controls
G779	50D50U-843	Ign. Module	Johnson Controls
G779LHA-1C	50D50U-843	Ign. Module	Johnson Controls
G93AAB-2	36C03A-410	Gas Valve	Johnson Controls
G93AGB-1	36C03-333	Gas Valve	Johnson Controls
G93EAM-2	36C03A-410	Gas Valve	Johnson Controls
G93EGM-2	36C03-433	Gas Valve	Johnson Controls
G951ADB1401	50M56X-843, 50M56U-843	Furnace Ctl.	York
G951ADB1401C	50M56X-843, 50M56U-843	Furnace Ctl.	York
G951ADB-1401C	50M56X-843, 50M56U-843	Furnace Ctl.	York
G951ADB1402	50M56X-843, 50M56U-843	Furnace Ctl.	York
G951ADB-1402	50M56X-843, 50M56U-843	Furnace Ctl.	York
G951ADB-1403	50M56X-843, 50M56U-843	Furnace Ctl.	York
G951AEB-1403	50M56X-843, 50M56U-843	Furnace Ctl.	York
GA-00770-0	36H32-214, 36H32-304, 36H32-423	Gas Valve	International
GS-V-1	36J24-214	Gas Valve	First Operations

PART REPLACING	SUGGESTED REPLACEMENT(S)	PRODUCT CATEGORY	COMPANY NAME
H130A	49M11-843	Contactora	Packard/Fasco
H150	21D64-2, 21D64-44	Ignitor	White-Rodgers
H230A	49M11-843	Contactora	Packard/Fasco
HH 71PD 024	3049-115	Flame Sensor	Carrier
HH84AA016	50M56D-751	Furnace Ctl.	Carrier
HK25S2359A	47D01U-843	Defrost Ctl.	Carrier
HK32EA001	47D01U-843	Defrost Ctl.	Carrier
HK32EA003	47D01U-843	Defrost Ctl.	Carrier
HK32EA007	47D01U-843	Defrost Ctl.	Carrier
HK32EA008	47D01U-843	Defrost Ctl.	Carrier
HK32FA003	47D01U-843	Defrost Ctl.	Carrier
HK32FA006	47D01U-843	Defrost Ctl.	Carrier
HK42FZ004	50M56U-751	Furnace Ctl.	Carrier
HK42FZ005	21V51D-751	Furnace Ctl.	Carrier
HK42FZ007	50M56U-751	Furnace Ctl.	Carrier
HK42FZ008	50M56U-751	Furnace Ctl.	Carrier
HK42FZ009	50M56U-751	Furnace Ctl.	Carrier
HK42FZ010	21V51D-751	Furnace Ctl.	Carrier
HK42FZ011	50M56U-751	Furnace Ctl.	Carrier
HK42FZ013	50M56X-843	Furnace Ctl.	Carrier
HK42FZ015	21V51D-751	Furnace Ctl.	Carrier
HK42FZ016	50M56U-751	Furnace Ctl.	Carrier
HK42FZ017	21V51D-751	Furnace Ctl.	Carrier
HK42FZ018	50M56U-751	Furnace Ctl.	Carrier
HK42FZ019	21V51D-751	Furnace Ctl.	Carrier
HK42FZ020	21V51D-751	Furnace Ctl.	Carrier
HK42FZ027	50M56X-843, 50X57-843	Furnace Ctl.	Carrier
HK42FZ028	21V51D-751	Furnace Ctl.	Carrier
HK42FZ029	50M56X-843	Furnace Ctl.	Carrier
HK42FZ033	50M56X-843, 50X57-843	Furnace Ctl.	Carrier
HK42FZ034	50M56X-843	Furnace Ctl.	Carrier
HK42FZ036	50M56X-843	Furnace Ctl.	Carrier
HK42FZ039	50M56X-843, 50X57-843	Furnace Ctl.	Carrier
HK42FZ040	21V51D-751	Furnace Ctl.	Carrier
HK42FZ041	21V51D-751	Furnace Ctl.	Carrier
HK42FZ045	50M56X-843	Furnace Ctl.	Carrier
HK42FZ047	50M56X-843, 50X57-843	Furnace Ctl.	Carrier
HK42FZ061	50M56X-843	Furnace Ctl.	Carrier
HK42FZ062	50M56X-843	Furnace Ctl.	Carrier
HK61EA002	48P55-751, 48M55-751	Air Handler Ctl.	Carrier
HK61EA006	48P55-751, 48M55-751	Air Handler Ctl.	Carrier
HK61EA010	48M55-751	Air Handler Ctl.	Carrier
HM36H22-400	36H32-423	Gas Valve	Heatco
HM36H23-404	36H33-412	Gas Valve	Heatco
HM36J22-215B1	36J22-214	Gas Valve	Heatco
HN51JD024	49M11-843	Contactora	Carrier
HN51JD026	49M11-843	Contactora	Carrier
HN51KB024	49M11-843	Contactora	Carrier
HN51KC024	49M11-843	Contactora	Carrier
HN52KC024	49M11-843	Contactora	Carrier
HQ1006377WR	36H32-214, 36H32-304	Gas Valve	ICP
HQ1006WR	36J54-214	Gas Valve	ICP
HQ1008751HW	50I56D-905	Smart Valve	Honeywell

# CROSS REFERENCE

PART REPLACING	SUGGESTED REPLACEMENT(S)	PRODUCT CATEGORY	COMPANY NAME
HQ1008752HW	50I56D-905	Smart Valve	Honeywell
HQ1008773HW	50F06-843	Fan Blower Ctl.	ICP
HQ1008786HW	50F06-843	Fan Blower Ctl.	ICP
HQ1008961WR	36H32-214, 36H32-304	Gas Valve	ICP
HQ1009089HW	50I56D-905	Smart Valve	Honeywell
HQ1009090HW	50I56D-905	Smart Valve	Honeywell
HQ1009093HW	50I56D-905	Smart Valve	Honeywell
HQ1009094HW	50I56D-905	Smart Valve	Honeywell
HQ1009836HW	50F06-843	Fan Blower Ctl.	ICP
HQ1009837HW	50F06-843	Fan Blower Ctl.	ICP
HQ1009838HW	50F06-843	Fan Blower Ctl.	ICP
HQ1010031HW	50F06-843	Fan Blower Ctl.	ICP
HQ1010988HW	50I56D-905	Smart Valve	Honeywell
HQ1011024HW	50I56D-905	Smart Valve	Honeywell
HQ1011179HW	50F06-843	Fan Blower Ctl.	ICP
HQ1011421HW	50I56D-905	Smart Valve	Honeywell
HQ1011543HW	50F06-843	Fan Blower Ctl.	ICP
HQ1011927HW	50F06-843	Fan Blower Ctl.	ICP
HQ1012106HW	50F06-843	Fan Blower Ctl.	ICP
HQ1012358HW	50F06-843	Fan Blower Ctl.	ICP
HQ1052757	47D01U-843	Defrost Ctl.	ICP
HQ1052757EX	47D01U-843	Defrost Ctl.	Carrier
HQ1070690WR	36H64-463	Gas Valve	ICP
HQ1084197HW	50F06-843	Fan Blower Ctl.	ICP
HQ1086070	47D01U-843	Defrost Ctl.	Carrier
HQ108671RC	47D01U-843	Defrost Ctl.	Carrier
HQ1087953RC	47D01U-843	Defrost Ctl.	Carrier
HQ1096725HW	50I56D-905	Smart Valve	Honeywell
HQ1170063HW	50F06-843	Fan Blower Ctl.	ICP
HQ1170429HW	50I56D-905	Smart Valve	Honeywell
HQ1170430HW	50I56D-905	Smart Valve	Honeywell
HQ1987953	47D01U-843	Defrost Ctl.	Carrier
HQ609024WR	36C84-912	Gas Valve	Heil Quaker
HS7001	50E47U-843	Ign. Module	Hogslat
HS780-17NL-104A	50E47U-843, 50E47-843	Ign. Module	Robertshaw
HS780-17NL-106A	50E47U-843, 50E47-843	Ign. Module	Robertshaw
HS780-17NL-108A	50E47U-843, 50E47-843	Ign. Module	Robertshaw
HS780-17NL-304A	50E47U-843, 50E47-843	Ign. Module	Robertshaw
HS780-17NL-306A	50E47U-843, 50E47-843	Ign. Module	Robertshaw
HS780-17NL-308A	50E47U-843, 50E47-843	Ign. Module	Robertshaw
HS780-17NR-104A	50E47U-843, 50E47-843	Ign. Module	Robertshaw
HS780-17NR-106A	50E47U-843, 50E47-843	Ign. Module	Robertshaw
HS780-17NR-108A	50E47U-843, 50E47-843	Ign. Module	Robertshaw
HS780-17NR-304A	50E47U-843, 50E47-843	Ign. Module	Robertshaw
HS780-17NR-306A	50E47U-843, 50E47-843	Ign. Module	Robertshaw
HS780-17NR-308A	50E47U-843, 50E47-843	Ign. Module	Robertshaw
HS780-17NR-312A	50E47U-843, 50E47-843	Ign. Module	Robertshaw
HS780-17PL-106A	50E47U-843, 50E47-843	Ign. Module	Robertshaw
HS780-17PL-108A	50E47U-843, 50E47-843	Ign. Module	Robertshaw
HS780-17PL-304A	50E47U-843, 50E47-843	Ign. Module	Robertshaw
HS780-17PL-306A	50E47U-843, 50E47-843	Ign. Module	Robertshaw
HS780-17PL-308A	50E47U-843, 50E47-843	Ign. Module	Robertshaw
HS780-17PR-104A	50E47U-843, 50E47-843	Ign. Module	Robertshaw

PART REPLACING	SUGGESTED REPLACEMENT(S)	PRODUCT CATEGORY	COMPANY NAME
HS780-17PR-108A	50E47U-843, 50E47-843	Ign. Module	Robertshaw
HS780-17PR-306A	50E47U-843, 50E47-843	Ign. Module	Robertshaw
HS780-34NL-106A	50E47U-843, 50E47-843	Ign. Module	Robertshaw
HS780-34NL-108A	50E47U-843, 50E47-843	Ign. Module	Robertshaw
HS780-34NL-304A	50E47U-843, 50E47-843	Ign. Module	Robertshaw
HS780-34NL-306A	50E47U-843, 50E47-843	Ign. Module	Robertshaw
HS780-34NL-308A	50E47U-843, 50E47-843	Ign. Module	Robertshaw
HS780-34NL-312A	50E47U-843, 50E47-843	Ign. Module	Robertshaw
HS780-34NR-104A	50E47U-843, 50E47-843	Ign. Module	Robertshaw
HS780-34NR-106A	50E47U-843, 50E47-843	Ign. Module	Robertshaw
HS780-34NR-304A	50E47U-843, 50E47-843	Ign. Module	Robertshaw
HS780-34NR-306A	50E47U-843, 50E47-843	Ign. Module	Robertshaw
HS780-34NR-308A	50E47U-843, 50E47-843	Ign. Module	Robertshaw
HS780-34NR-312A	50E47U-843, 50E47-843	Ign. Module	Robertshaw
HS780-34PL-104A	50E47U-843, 50E47-843	Ign. Module	Robertshaw
HS780-34PL-106A	50E47U-843, 50E47-843	Ign. Module	Robertshaw
HS780-34PL-108A	50E47U-843, 50E47-843	Ign. Module	Robertshaw
HS780-34PL-304A	50E47U-843, 50E47-843	Ign. Module	Robertshaw
HS780-34PL-306A	50E47U-843, 50E47-843	Ign. Module	Robertshaw
HS780-34PL-308A	50E47U-843, 50E47-843	Ign. Module	Robertshaw
HS780-34PR-106A	50E47U-843, 50E47-843	Ign. Module	Robertshaw
HS780-34PR-108A	50E47U-843, 50E47-843	Ign. Module	Robertshaw
HS780-34PR-304A	50E47U-843, 50E47-843	Ign. Module	Robertshaw
HS780-34PR-306A	50E47U-843, 50E47-843	Ign. Module	Robertshaw
HS780-34PR-308A	50E47U-843, 50E47-843	Ign. Module	Robertshaw
I-0073	764-742	Gas Valve	Rotisol France
ICM270	50F06-843	Fan Blower Ctl.	ICM
ICM280	50M56X-843, 50T35-743, 50M56U-843	Furnace Ctl.	ICM
ICM2805A	50M56X-843, 50M56U-843	Furnace Ctl.	ICM
ICM2807	21V51D-751	Furnace Ctl.	ICM
ICM2808	50M56X-843, 50A56-956, \ 50M56U-843	Furnace Ctl.	ICM
ICM281	50M56D-751	Furnace Ctl.	ICM
ICM2810	50M56-707	Furnace Ctl.	Goodman
ICM2812	50M56X-843	Furnace Ctl.	ICM
ICM282A	50M56X-843	Furnace Ctl.	ICM
ICM283	50E47U-843, 50E47-843	Ign. Module	ICM
ICM284	50M56X-843, 50M56U-843	Furnace Ctl.	ICM
ICM286	50M56X-843, 50M56U-843	Furnace Ctl.	ICM
ICM288	50M56X-843, 50M56U-843	Furnace Ctl.	ICM
ICM290	50D50U-843	Ign. Module	ICM
ICM2902	50D50-801	Ign. Module	ICM
ICM2904	50D50U-843	Ign. Module	ICM
ICM290A	50D50U-843	Ign. Module	ICM
ICM293	50D50-801	Ign. Module	ICM
ICM300C	47D01U-843	Defrost Ctl.	ICM
ICM301C	47D01U-843	Defrost Ctl.	ICM
ICM302C	47D01U-843	Defrost Ctl.	ICM
ICM303C	47D01U-843	Defrost Ctl.	ICM
ICM304	47D01U-843	Defrost Ctl.	ICM
ICM307	47D01U-843	Defrost Ctl.	ICM
ICM316	47D01U-843	Defrost Ctl.	ICM
ICM317	47D01U-843	Defrost Ctl.	ICM



## CROSS REFERENCE

PART REPLACING	SUGGESTED REPLACEMENT(S)	PRODUCT CATEGORY	COMPANY NAME
ICM318	47D01U-843	Defrost Ctl.	ICM
ICM318C	47D01U-843	Defrost Ctl.	ICM
ICM319	47D01U-843	Defrost Ctl.	ICM
ICM320	47D01U-843	Defrost Ctl.	ICM
ICM321	47D01U-843	Defrost Ctl.	ICM
ICM322	47D01U-843	Defrost Ctl.	ICM
ICM323	47D01U-843	Defrost Ctl.	ICM
ICM350	47D01U-843	Defrost Ctl.	ICM
ICM350C	47D01U-843	Defrost Ctl.	ICM
IG-101	21D64-44	Ignitor	Gemline
IG-102	21D64-44	Ignitor	Gemline
IG-107	21D64-44	Ignitor	Gemline
IGN00023	767A-371, 21D64-2	Ignitor	Trane
IGN00026	767A-370, 21D64-2	Ignitor	Trane
IGN00030	767A-376, 21D64-2	Ignitor	Trane
IGN00034	767A-372, 21D64-2	Ignitor	Trane
IGN00054	767A-372	Ignitor	Trane
IGN00056	760-56	Flame Sensor	Trane
IGN00104	768A-845	Ignitor	Trane
IGN00115	21D64-2, 21D64-44	Ignitor	Trane
IGN00120	767A-369	Ignitor	Trane
IGN00123	767A-372, 21D64-2	Ignitor	Trane
IGN00124	767A-373, 21D64-2	Ignitor	Trane
IGN00134	21D64-2, 21D64-44	Ignitor	Trane
IGN00145	768A-815	Ignitor	Trane
IGN00146	789A-820, 789A-820	Ignitor	Trane
IGN00152	789A-820KT1, 789A-820	Ignitor	Trane
IGN0030	21D64-44	Ignitor	Trane
IGN21	21D64-2, 21D64-44	Ignitor	Trane
IGN23	21D64-44	Ignitor	Trane
IGN26	21D64-44	Ignitor	Trane
IGN30	21D64-44	Ignitor	Trane
IGN34	21D64-44	Ignitor	Trane
IPI-24-00	50D50U-843	Ign. Module	Camstat
J28-00381-002	36C03-433	Gas Valve	Reznor
J28-00382-001	36C03-433	Gas Valve	Reznor
J28-00742	36H32-423	Gas Valve	Reznor
J38R06890-003	790-843A1, 790-843A5PK	Flame Sensor	Sterling
KE51163	36C84-912	Gas Valve	Cleveland Range
KE51167	5059-134	Pilot Control	Cleveland Range
KE53469-2	50D50U-843	Ign. Module	Cleveland Range
KE53469-5	50E47U-843	Ign. Module	Cleveland
KE53469-7	50E47U-843	Ign. Module	Cleveland
KIT03308	50E70-820	RTU Control	Trane
KIT05137	50E70-820	RTU Control	Trane
KIT06839	F50N02-820	RTU Control	Trane
KIT08282	50E70-820	RTU Control	Trane
KIT15815	21V51U-843	Furnace Ctl.	Trane
KIT15816	50V54-820	Furnace Ctl.	Trane
KIT15943	21M51U-843	Furnace Ctl.	Trane
KIT17852	50E70-820	RTU Control	Trane

PART REPLACING	SUGGESTED REPLACEMENT(S)	PRODUCT CATEGORY	COMPANY NAME
KIT17858	21M51U-843	Furnace Ctl.	Trane
L37-699	21D64-44	Ignitor	Johnstone Supply
L37-700	21D64-44	Ignitor	Johnstone Supply
L37-812	21D64-44	Ignitor	Johnstone Supply
L37-814	21D64-44	Ignitor	Johnstone Supply
L37-815	21D64-44	Ignitor	Johnstone Supply
L37-816	21D64-44	Ignitor	Johnstone Supply
L38035	790-707A1, 790-843A1	Flame Sensor	Goodman
L38-035	790-707A1, 790-843A1	Flame Sensor	Goodman
L38-798	50M56X-843, 50A55-843, 50M56U-843	Furnace Ctl.	Johnstone Supply
L38-799	50M56X-843, 50M56U-843	Furnace Ctl.	Johnstone Supply
L38-800	50M56X-843, 50A55-843, 50M56U-843	Furnace Ctl.	Johnstone Supply
L38-801	50M56X-843, 50A55-843, 50M56U-843	Furnace Ctl.	Johnstone Supply
L39-373	21M51U-843	Furnace Ctl.	Johnstone Supply
L39-376	21M51U-843	Furnace Ctl.	Johnstone Supply
L41-722	50M56X-843, 50M56U-843	Furnace Ctl.	Johnstone Supply
L42-300	21M51U-843	Furnace Ctl.	Johnstone Supply
L42-301	21M51U-843	Furnace Ctl.	Johnstone Supply
L42-302	21M51U-843	Furnace Ctl.	Johnstone Supply
L43-226	50M56X-843, 50M56U-843	Furnace Ctl.	Johnstone Supply
L43-836	50M56D-751	Furnace Ctl.	Johnstone Supply
L43-837	50M56X-843	Furnace Ctl.	Johnstone Supply
L45-086	50M56X-843, 50X57-843	Furnace Ctl.	Johnstone Supply
L45-909	50M56X-843, 50M56U-843	Furnace Ctl.	Johnstone Supply
L46-388	50M56X-843, 50M56U-843	Furnace Ctl.	Johnstone Supply
L46-457	50M56X-843, 50M56U-843	Furnace Ctl.	Johnstone Supply
L46-655	50M56X-843, 50M56U-843	Furnace Ctl.	Johnstone Supply
L46-846	50M56X-843, 50M56U-843	Furnace Ctl.	Johnstone Supply
L47-030	50M56X-843, 50M56U-843	Furnace Ctl.	Johnstone Supply
L47-385	50M56X-843	Furnace Ctl.	Johnstone Supply
L50-820	50M56D-751	Furnace Ctl.	Johnstone Supply
L7AB000000000	36C03U-433	Gas Valve	ITT General
L94-148	21M51U-843	Furnace Ctl.	Johnstone Supply
LB-100380A	47D01U-843	Defrost Ctl.	Lennox

# CROSS REFERENCE

PART REPLACING	SUGGESTED REPLACEMENT(S)	PRODUCT CATEGORY	COMPANY NAME
LB-101263A	47D01U-843	Defrost Ctl.	Lennox
LB-101263B	47D01U-843	Defrost Ctl.	Lennox
LB-112237B	789A-801A1	Ignitor	Lennox
LB-74940A	790-843A1, 790-843A5PK	Flame Sensor	Lennox
LB74940B	790-801A1, 790-843A1	Flame Sensor	Lennox
LB-74940B	790-801A1, 790-843A1	Flame Sensor	Lennox
LB-83114C	47D01U-843	Defrost Ctl.	Lennox
LB-90087A	50D50-801	Ign. Module	Lennox
LB-90701A	50D50-801	Ign. Module	Lennox
LB-90701B	50D50-801	Ign. Module	Lennox
LB-90701C	50D50-801	Ign. Module	Lennox
LB-9071B	50D50-801	Ign. Module	Lennox
LB-92869A	50D50-801	Ign. Module	Lennox
LB-93614	47D01U-843	Defrost Ctl.	Lennox
LH33CM600	50D50U-843	Ign. Module	Carrier
LH33CZ007	50D50U-843	Ign. Module	Carrier
LH33CZ010	50D50U-843	Ign. Module	Carrier
LH33CZ502	5059-134	Pilot Control	Carrier
LH33EP040	50D50U-843	Ign. Module	Carrier
LH33JZ053	791P-751KT1	Pilot Control	Carrier
LH33WP001	50D50U-843	Ign. Module	Carrier
LH33WP001A	50D50U-843	Ign. Module	Carrier
LH33WZ511	790-751A1, 790-843A1	Flame Sensor	Carrier
LH33WZ514	790-843A1, 790-843A5PK	Flame Sensor	Carrier
LH33WZ515	790-751A1, 790-843A1	Flame Sensor	Carrier
LH33WZ516	790-843A1, 790-843A5PK	Flame Sensor	Carrier
LH33WZ517	790-751A1, 790-843A1	Flame Sensor	Carrier
LH33WZ518	790-843A1, 790-843A5PK	Flame Sensor	Carrier
LH33WZ520	790-751A1, 790-843A1	Flame Sensor	Carrier
LH33WZ521	790-751A1, 790-843A1	Flame Sensor	Carrier
LH33ZG001	789A-751A1	Ignitor	Carrier
LH33ZG002	21D64-2, 21D64-44	Ignitor	Carrier
LH33ZS001	767A-370, 21D64-2	Ignitor	Carrier
LH33ZS001A	767A-370, 21D64-2	Ignitor	Carrier
LH33ZS002	767A-370, 21D64-2	Ignitor	Carrier
LH33ZS002A	767A-370, 21D64-2	Ignitor	Carrier
LH33ZS003	767A-370, 21D64-2	Ignitor	Carrier
LH33ZS003A	767A-370, 21D64-2	Ignitor	Carrier
LH33ZS004	767A-370, 21D64-2	Ignitor	Carrier
LH680005	791P-751KT1	Pilot Control	Carrier
LH680012	790-751A1, 790-843A1	Flame Sensor	Carrier
LH680013	790-843A1, 790-843A5PK	Flame Sensor	Carrier
LH680014	790-751A1, 790-843A1	Flame Sensor	Carrier
LH680534	790-751A1, 790-843A1	Flame Sensor	Carrier
LR40061	47D01U-843	Defrost Ctl.	Goodman
M1323A	760-401, 790-843A1	Flame Sensor	Bakers Pride
M1540A	50E47U-843	Ign. Module	Bakers Pride
M2138X	50D50U-843	Ign. Module	Bakers Pride
M413464	36H32-214, 36H32-423, 36H32-423	Gas Valve	Alliance
M413466	36H32-423	Gas Valve	Alliance
M413468	36H32-214, 36H32-304, 36H32-423	Gas Valve	Alliance
M413468 REV 03	36H32-423	Gas Valve	Alliance
M413470	36H32-423	Gas Valve	Alliance

PART REPLACING	SUGGESTED REPLACEMENT(S)	PRODUCT CATEGORY	COMPANY NAME
M413470 REV 03	36H32-423	Gas Valve	Alliance
M414445	36J22-214, 36H32-214, 36H32-304	Gas Valve	Alliance
M414446	36J22-214, 36H32-214, 36H32-304	Gas Valve	Alliance
M9517	790-843A1, 790-843A5PK	Flame Sensor	Middleby
MB258909	767A-369	Ignitor	Norton
MB458902	767A-373, 21D64-2	Ignitor	Norton
MB478272	767A-373, 21D64-2	Ignitor	Norton
MR18A02	36C03U-333	Gas Valve	ITT General
MR18R06	36C03U-333	Gas Valve	ITT General
MR57AB22	36C03U-333	Gas Valve	ITT General
MR57RB23	36C03U-433	Gas Valve	ITT General
N21AB000000400B-1C	50D50U-843	Ign. Module	Baso
N21AB000001100B-1C	50D50U-843	Ign. Module	Baso
N45E000001100B-1C	50D50U-843	Ign. Module	Baso
N49AB001501000B-1C	50D50U-843	Ign. Module	Baso
N50AB001501000B-1C	50D50U-843	Ign. Module	Baso
N61AD301501030B-1C	50D50U-843	Ign. Module	Baso
P03101267001	50M56X-843, 50M56U-843	Furnace Ctl.	York
P031-01267-001	50M56X-843, 50M56U-843	Furnace Ctl.	York
P-1405	36J24-214	Gas Valve	Easy Radiant
P-1406	36J24-214	Gas Valve	Easy Radiant
P282-0311	49M11-843	Contactator	Carrier
P282-0321	49M11-843	Contactator	Carrier
P321764/65	36C03-333, 36C03-300, 36C03-433	Gas Valve	Williams Furnace
P321766/67	36H32-214, 36H32-304, 36H32-423	Gas Valve	Williams Furnace
P41590	36H64-463	Gas Valve	Aaon
P41610	36H32-423	Gas Valve	Aaon
P496037	790-843A1, 790-843A5PK	Flame Sensor	Stero
P49-6037	790-843A1, 790-843A5PK	Flame Sensor	Stero
P496288	760-401, 790-843A1	Flame Sensor	Stero Company
P545796	36C01A-405	Gas Valve	Stero Company
P671-1406	791P-751KT1	Pilot Control	Carrier
P671-2357	36J24-214	Gas Valve	Carrier
P671-2359	36H33-412	Gas Valve	Carrier
P671-2367	36J22-214	Gas Valve	Carrier
P671-2368	36H32-304	Gas Valve	Carrier
P671-2369	36H32-423	Gas Valve	Carrier
P671-2469	36H64-463	Gas Valve	Carrier
P79990	50D50U-843	Ign. Module	Aaon
P87280	36H64-463	Gas Valve	Aaon
P87310	36H32-423	Gas Valve	Aaon
P-8-7556	47D01U-843	Defrost Ctl.	Lennox
P8904-84	764-742	Gas Valve	Anetsberger
PB-008-02	5059-134	Pilot Control	Utica Boiler
PB-008-03	5059-134	Pilot Control	Utica Boiler
PB-009-03	3098-134	Flame Sensor	Utica Boiler
PCB00106	21V51U-843	Furnace Ctl.	Goodman
PCB00106S	21V51U-843	Furnace Ctl.	Goodman

## CROSS REFERENCE

PART REPLACING	SUGGESTED REPLACEMENT(S)	PRODUCT CATEGORY	COMPANY NAME
PCB00114	21M51U-843	Furnace Ctl.	Goodman
PCB00115	21M51U-843	Furnace Ctl.	Goodman
PCB00116	21M51U-843	Furnace Ctl.	Goodman
PCB00117	50M56X-843, 50M56U-843	Furnace Ctl.	Goodman
PCB1201-2A	50M56D-751	Furnace Ctl.	Carrier
PCBBF106	21V51U-843	Furnace Ctl.	Goodman
PCBBF106S	21V51U-843	Furnace Ctl.	Goodman
PCBBF107S	21V51U-843	Furnace Ctl.	Goodman
PCBBF109	50M56X-843, 50M56-743	Furnace Ctl.	Goodman
PCBBF110	50A55-743	Furnace Ctl.	Goodman
PCBBF110S	50A55-743	Furnace Ctl.	Goodman
PCBBF112	50A55-743	Furnace Ctl.	Goodman
PCBBF112S	50A55-743	Furnace Ctl.	Goodman
PCBBF114	21M51U-843	Furnace Ctl.	Goodman
PCBBF114S	21M51U-843	Furnace Ctl.	Goodman
PCBBF115	21M51U-843	Furnace Ctl.	Goodman
PCBBF115S	21M51U-843	Furnace Ctl.	Goodman
PCBBF116	21M51U-843	Furnace Ctl.	Goodman
PCBBF116S	21M51U-843	Furnace Ctl.	Goodman
PCBBF117	50M56X-843, 50A55-843, 50M56U-843	Furnace Ctl.	Goodman
PCBBF117S	50M56X-843, 50M56U-843	Furnace Ctl.	Goodman
PCBBF118	50M56X-843, 50M56U-843	Furnace Ctl.	Goodman
PCBBF118S	50M56X-843, 50M56U-843	Furnace Ctl.	Goodman
PCBBF120S	21M51U-843	Furnace Ctl.	Goodman
PCBBF121	21V51U-843	Furnace Ctl.	Goodman
PCBBF121S	21V51U-843	Furnace Ctl.	Goodman
PCBBF123	50A55-743	Furnace Ctl.	Goodman
PCBBF123S	50A55-743	Furnace Ctl.	Goodman
PCBBF124	21V51U-843	Furnace Ctl.	Goodman
PCBBF124S	21V51U-843	Furnace Ctl.	Goodman
PCBBF125	21M51U-843	Furnace Ctl.	Goodman
PCBBF133	50M58-707	Furnace Ctl.	Goodman
PCBBF133S	50M58-707	Furnace Ctl.	Goodman
PCBBF134	50M56X-843, 50M56-707, 50M56U-843	Furnace Ctl.	Goodman
PCBBF134S	50M56-707	Furnace Ctl.	Goodman
PCBBF135	50M56X-843, 50M56-707, 50M56U-843	Furnace Ctl.	Goodman
PCBBF135S	50M56X-843, 50M56-707, 50M56U-843	Furnace Ctl.	Goodman
PCBBF136	50M56X-843, 50M56-707, 50M56U-843	Furnace Ctl.	Goodman
PCBBF136S	50M56-707	Furnace Ctl.	Goodman
PCBBF137	50M58-707	Furnace Ctl.	Goodman
PCBBF137S	50M58-707	Furnace Ctl.	Goodman
PCBBF138	50M56X-843, 50M56-707, 50M56U-843	Furnace Ctl.	Goodman
PCBBF138S	50M56X-843, 50M56-707, 50M56U-843	Furnace Ctl.	Goodman
PCBBF139	50M58-707	Furnace Ctl.	Goodman
PCBBF139S	50M58-707	Furnace Ctl.	Goodman
PCBBF139SK	50M58-707	Furnace Ctl.	Goodman
PCBBF140	50M56X-843, 50M56-707, 50M56U-843	Furnace Ctl.	Goodman

PART REPLACING	SUGGESTED REPLACEMENT(S)	PRODUCT CATEGORY	COMPANY NAME
PCBBF140S	50M56X-843, 50M56-707, 50M56U-843	Furnace Ctl.	Goodman
PCBBF145	50M56X-843	Furnace Ctl.	Goodman
PCBBF145S	50M56X-843	Furnace Ctl.	Goodman
PCBBF149S	21M51U-843	Furnace Ctl.	Goodman
PCBBF159	50M56X-843, 50M56-743	Furnace Ctl.	Goodman
PCBBF159S	50M56X-843, 50M56-743	Furnace Ctl.	Goodman
PCBDM101	47D01U-843	Defrost Ctl.	Goodman
PCBDM101S	47D01U-843	Defrost Ctl.	Goodman
PCBDM130	47D01U-843	Defrost Ctl.	Goodman
PCBDM130S	47D01U-843	Defrost Ctl.	Goodman
PCBDM133	47D01U-843	Defrost Ctl.	Goodman
PCBDM133S	47D01U-843	Defrost Ctl.	Goodman
PCBDM160	47D01U-843	Defrost Ctl.	Goodman
PCBDM160S	47D01U-843	Defrost Ctl.	Goodman
PCBGR102	49S25-707	Defrost Ctl.	Goodman
PCBGR102S	49S25-707	Defrost Ctl.	Goodman
PCBGR103	49S25-707	Defrost Ctl.	Goodman
PCBGR103S	49S25-707	Defrost Ctl.	Goodman
PCBHR102	49S25-707	Defrost Ctl.	Goodman
PCBHR102S	49S25-707	Defrost Ctl.	Goodman
PCBHR103	49S25-707	Defrost Ctl.	Goodman
PCBHR103S	49S25-707	Defrost Ctl.	Goodman
PCBHR104	49S25-707	Defrost Ctl.	Goodman
PCBHR104S	49S25-707	Defrost Ctl.	Goodman
PCBJA101	48C21-707	Air Handler Ctl.	Goodman
PCBJA101S	48C21-707	Air Handler Ctl.	Goodman
PCBJA102	48C21-707	Air Handler Ctl.	Goodman
PCBJA102S	48C21-707	Air Handler Ctl.	Goodman
PCBJA103	48C21-707	Air Handler Ctl.	Goodman
PCBJA103S	48C21-707	Air Handler Ctl.	Goodman
PCBJA104	48C21-707	Air Handler Ctl.	Goodman
PCBJA104S	48C21-707	Air Handler Ctl.	Goodman
PCBKF101	50C51-707	Furnace Ctl.	Goodman
PCBKF101S	50C51-707	Furnace Ctl.	Goodman
PCBKF102	50C51-707	Furnace Ctl.	Goodman
PCBKF102S	50C51-707	Furnace Ctl.	Goodman
PCBKF103	50C51-707	Furnace Ctl.	Goodman
PCBKF103S	50C51-707	Furnace Ctl.	Goodman
PCBKF104	50C51-707	Furnace Ctl.	Goodman
PCBKF104S	50C51-707	Furnace Ctl.	Goodman
PCBKF105	50C51-707	Furnace Ctl.	Goodman
PCBKF105S	50C51-707	Furnace Ctl.	Goodman
PFS010	790-707A1, 790-843A1	Flame Sensor	Packard
PFS013	790-843A1, 790-843A5PK	Flame Sensor	Packard
PFS014	790-751A1, 790-843A1	Flame Sensor	Packard
PFS114	790-820A1, 790-843A1	Flame Sensor	Packard
PFS301	790-843A1, 790-843A5PK	Flame Sensor	Packard
PFS401	760-401, 790-843A1	Flame Sensor	Supco
PFS700	790-843A1, 790-843A5PK	Flame Sensor	Packard
PFS802	790-956A1, 790-843A1	Flame Sensor	Packard
PH-1140	36J22-214	Gas Valve	Detroit Radiant
PN0204043-02	47D01U-843	Defrost Ctl.	Lennox

## CROSS REFERENCE

PART REPLACING	SUGGESTED REPLACEMENT(S)	PRODUCT CATEGORY	COMPANY NAME
PP11140	36G33-500	Gas Valve	Honeywell
PR-24-00	5059-134	Pilot Control	Camstat
PS730A	791P-751KT1	Pilot Control	Carrier
PT-20104K002	50E47U-843	Ign. Module	Patriot
PTH031011400-00	50M56X-843, 50M56U-843	Furnace Ctl.	York
Q3200U	21D64-2, 21D64-44	Ignitor	Honeywell
Q3200U1004	21D64-2, 21D64-44	Ignitor	Honeywell
Q3200U2002	21D64-2, 21D64-44	Ignitor	Honeywell
Q4100C9040	767A-357, 21D64-2	Ignitor	Honeywell
Q4100C9042	767A-369	Ignitor	Honeywell
Q4100C9044	767A-356	Ignitor	Honeywell
Q4100C9046	767A-371, 21D64-2	Ignitor	Honeywell
Q4100C9048	767A-382, 21D64-2	Ignitor	Honeywell
Q4100C9050	767A-374	Ignitor	Honeywell
Q4100C9052	767A-376, 21D64-2	Ignitor	Honeywell
Q4100C9054	767A-372, 21D64-2	Ignitor	Honeywell
Q4100C9056	767A-370, 21D64-2	Ignitor	Honeywell
Q4100C9058	767A-377, 21D64-2	Ignitor	Honeywell
Q4100C9060	767A-383, 21D64-2	Ignitor	Honeywell
Q4100C9062	767A-373, 21D64-2	Ignitor	Honeywell
Q4100C9064	767A-375	Ignitor	Honeywell
Q4100C9066	767A-384, 21D64-2	Ignitor	Honeywell
Q4100C9068	767A-361, 21D64-2	Ignitor	Honeywell
Q4100C9070	767A-365, 21D64-2	Ignitor	Honeywell
Q4100C9072	767A-366, 21D64-2	Ignitor	Honeywell
Q630822	25M01A-100	Gas Valve	Electrolux
R0011900	50D50U-843	Ign. Module	Laars
R01H012	36J24-214	Gas Valve	Dettson
R01K005	36J27-554	Gas Valve	Dettson
R0456900	50E47U-843	Ign. Module	Zodiac
R102-025-27768-0000	36C74-913	Gas Valve	York
R171-X13129702001	36H32-423	Gas Valve	Trane
R20270901	50I56D-905	Smart Valve	Honeywell
R20270902	50I56D-905	Smart Valve	Honeywell
R39514B001	36G33-500	Gas Valve	Honeywell
R39514B003	36G33-500	Gas Valve	Honeywell
R40403001	50F06-843	Fan Blower Ctl.	Lennox
R40403-001	50F06-843	Fan Blower Ctl.	Lennox
R40403002	50F06-843	Fan Blower Ctl.	Lennox
R40403-002	50F06-843	Fan Blower Ctl.	Lennox
R40403003	50F06-843	Fan Blower Ctl.	Lennox
R42350	36H32-423	Gas Valve	Aaon
R42360	36H64-463	Gas Valve	Aaon
R42370	36J22-214, 36H32-423	Gas Valve	Aaon
R42380	36J54-214, 36H64-463	Gas Valve	Aaon
R42487-001	50I56D-905	Smart Valve	Honeywell
R43166-001	50I56D-905	Smart Valve	Honeywell
R43200-001	36J55-214	Gas Valve	Armstrong
R43207001	21M51U-843	Furnace Ctl.	Armstrong
R44479-001	50I56D-905	Smart Valve	Honeywell
R44745-001	790-843A1, 790-843A5PK	Flame Sensor	Armstrong

PART REPLACING	SUGGESTED REPLACEMENT(S)	PRODUCT CATEGORY	COMPANY NAME
R44957001	21M51U-843	Furnace Ctl.	Armstrong
R45392001	50F06-843	Fan Blower Ctl.	Lennox
R45392-001	50F06-843	Fan Blower Ctl.	Lennox
R45692001	50F06-843	Fan Blower Ctl.	Lennox
R45692-001	50F06-843	Fan Blower Ctl.	Lennox
R45708-002	790-843A1, 790-843A5PK	Flame Sensor	Lennox
R46257-001	47D01U-843	Defrost Ctl.	Armstrong
R46614-002	47D01U-843	Defrost Ctl.	Armstrong
R46895-001	790-843A1, 790-843A5PK	Flame Sensor	Armstrong
R47181-001	47D01U-843	Defrost Ctl.	Armstrong
R47582-001	50M56X-843, 50M56U-801, 50M56U-843	Furnace Ctl.	Lennox
R5925	50E47U-843	Ign. Module	Blodgett
R63580	36H32-423	Gas Valve	Aaon
R63590	36H64-463	Gas Valve	Aaon
R83540	36J27-554	Gas Valve	White-Rodgers
RF000129	50M56X-843, 50M56U-843	Furnace Ctl.	Goodman
RH622286893	21D64-44	Ignitor	Frigidaire
RLY 2807	57T01-843	Time Delay	Trane
RZ147165	790-843A1, 790-843A5PK	Flame Sensor	Reznor
RZ195292	790-843A1, 790-843A5PK	Flame Sensor	Reznor
S1-02425837700	49M11-843	Contactator	York
S1-02427531000	49M11-843	Contactator	York
S1-02526363700	50D50U-843	Ign. Module	York
S1-02527720700	36H32-423	Gas Valve	York
S1-02527773700	790-956A1, 790-843A1	Flame Sensor	York
S1-02530788700	790-843A1, 790-843A5PK	Flame Sensor	York
S1-02530801000	790-843A1, 790-843A5PK	Flame Sensor	York
S1-02530802000	790-843A1, 790-843A5PK	Flame Sensor	York
S1-02532661002	790-843A1, 790-843A5PK	Flame Sensor	York
S1-02532816000	50F06-843	Fan Blower Ctl.	York
S1-02535306000	790-843A1, 790-843A5PK	Flame Sensor	York
S1-02535354000	790-843A1, 790-843A5PK	Flame Sensor	York
S1-02537499000	790-843A1, 790-843A5PK	Flame Sensor	York
S1-02541279000	36H64-463	Gas Valve	York
S1-02541280000	36H32-423	Gas Valve	York
S1-02541281000	36J54-214	Gas Valve	York
S1-02543257000	36J27-554	Gas Valve	York
S1-02544123000	36J24-214	Gas Valve	York
S1-02544124000	36J54-214	Gas Valve	York
s1-02545231000	789A-956A1	Ignitor	York
s1-025-45231-000	789A-956A1	Ignitor	York
S1-02546611000	36H65-401	Gas Valve	York
S1-02547851000	36H64-463	Gas Valve	York
S1-02547852000	36H32-423	Gas Valve	York
s1-02549808000	789A-956A1	Ignitor	York
s1-025-49808-000	789A-956A1	Ignitor	York
S1-02551463000	36J24-214	Gas Valve	York
S1-0263403000	50F06-843	Fan Blower Ctl.	York
S1-03100662000	50M56X-843, 50A56-956, 50M56U-843	Furnace Ctl.	York
S1-03100872701	47D01U-843	Defrost Ctl.	York
S1-03101237000	50F06-843	Fan Blower Ctl.	York
S1-031-01237-000	50F06-843	Fan Blower Ctl.	York

# CROSS REFERENCE

PART REPLACING	SUGGESTED REPLACEMENT(S)	PRODUCT CATEGORY	COMPANY NAME
S1-03101250000	50M56X-843, 50A56-956, 50M56U-843	Furnace Ctl.	York
S1-03101266000	50M56X-843, 50A56-956, 50M56U-843	Furnace Ctl.	York
S1-03101267000	50M56X-843, 50A56-956, 50M56U-843	Furnace Ctl.	York
S1-03101267001	50M56X-843, 50A56-956, 50M56U-843	Furnace Ctl.	York
S1-03101283000	50D50U-843	Ign. Module	York
S1-03101284000	50M56X-843, 50A56-956, 50M56U-843	Furnace Ctl.	York
S1-03101290000	21M51U-843	Furnace Ctl.	York
S1-03101909000	21M51U-843	Furnace Ctl.	York
S1-03101933000	50M56X-843, 50A56-956, 50M56U-843	Furnace Ctl.	York
S1-03101954000	47D01U-843	Defrost Ctl.	York
S1-03101971000	47D01U-843	Defrost Ctl.	York
S1-03101972000	50M56X-843, 50A56-956, 50M56U-843	Furnace Ctl.	York
S1-03101973000	50M56X-843, 50A56-956, 50M56U-843	Furnace Ctl.	York
S1-03101975102	47D01U-843	Defrost Ctl.	York
S1-03102951001	50M56X-843, 50X57-843	Furnace Ctl.	York
S1-03102954000	21M51U-843	Furnace Ctl.	York
S1-03102955000	21V51U-843	Furnace Ctl.	York
S1-03102959000	50F06-843	Fan Blower Ctl.	York
S1-031-02959-000	50F06-843	Fan Blower Ctl.	York
S1-03102977000	21V51U-843	Furnace Ctl.	York
S1-03103009000	21M51U-843	Furnace Ctl.	York
S1-03103483000	47D01U-843	Defrost Ctl.	York
S1-03109117000	21M51U-843	Furnace Ctl.	York
S1-03109167000	50M56X-843, 50A56-956, 50M56U-843	Furnace Ctl.	York
S1-03109168000	21M51U-843	Furnace Ctl.	York
S1-03109169000	21V51U-843	Furnace Ctl.	York
S1-03109170000	47D01U-843	Defrost Ctl.	York
S1-1474-0041	50E47U-843	Ign. Module	York
S1-1474-0051	50D50U-843	Ign. Module	York
S1-1474-0061/A	50E47U-843	Ign. Module	York
S1-2702-300P	50F06-843	Fan Blower Ctl.	York
S1-2702-311P	790-843A1, 790-843A5PK	Flame Sensor	York
S1-2845-3111	790-843A1, 790-843A5PK	Flame Sensor	York
S1-3030-3741	47D01U-843	Defrost Ctl.	York
S1-3030A3741	47D01U-843	Defrost Ctl.	York
S1-3030B3741	47D01U-843	Defrost Ctl.	York
S1-33101237000	50F06-843	Fan Blower Ctl.	York
S1-331-01237-000	50F06-843	Fan Blower Ctl.	York
S1-33101954000	47D01U-843	Defrost Ctl.	York
S1-33101975001	47D01U-843	Defrost Ctl.	York
S1-33101975102	47D01U-843	Defrost Ctl.	York
S1-33102954000	21M51U-843	Furnace Ctl.	York
S1-33102955000	21V51U-843	Furnace Ctl.	York
S1-33102956000	50M56X-843, 50A56-956, 50M56U-843	Furnace Ctl.	York
S1-33102977000	21V51U-843	Furnace Ctl.	York
S1-33103009000	21M51U-843	Furnace Ctl.	York

PART REPLACING	SUGGESTED REPLACEMENT(S)	PRODUCT CATEGORY	COMPANY NAME
S1-33103010000	50M56X-843, 50A56-956, 50M56U-843	Furnace Ctl.	York
S1-33109117000	21M51U-843	Furnace Ctl.	York
S1-33109167000	50M56X-843, 50A56-956, 50M56U-843	Furnace Ctl.	York
S1-33109168000	21M51U-843	Furnace Ctl.	York
S1-33109169000	21V51U-843	Furnace Ctl.	York
S1-36H32-214	36H32-214	Gas Valve	York
S1-36H32-304	36H32-304	Gas Valve	York
S1-36H32-423	36H32-423	Gas Valve	York
S1-36H33-412	36H33-412	Gas Valve	York
S1-36H64-463	36H64-463	Gas Valve	York
S1-36J22-214	36J22-214	Gas Valve	York
S1-36J24-214	36J24-214	Gas Valve	York
S1-36J55-214	36J55-214	Gas Valve	York
S1-37323867001	47D01U-843	Defrost Ctl.	York
S1-37323884001	50D50U-843	Ign. Module	York
S1-473-20937-001	767A-381	Ignitor	York
S1-7995-3081	50D50U-843	Ign. Module	York
S1-DP130024	49M11-843	Contactora	York
S1-DP230024	49M11-843	Contactora	York
S8600A1001	50D50U-843	Ign. Module	Honeywell
S8600B1009	50D50U-843	Ign. Module	Honeywell
S8600B1025	50D50U-843	Ign. Module	Honeywell
S8600B3005	50D50U-843	Ign. Module	Honeywell
S8600B3013	50D50U-843	Ign. Module	Honeywell
S8600C1015	50D50U-843	Ign. Module	Honeywell
S8600C3003	50D50U-843	Ign. Module	Honeywell
S8600F1000	50D50U-843	Ign. Module	Honeywell
S8600F1034	50D50U-843	Ign. Module	Honeywell
S8600F1042	50D50U-843	Ign. Module	Honeywell
S8600H1006	50D50U-843	Ign. Module	Honeywell
S8600H1014	50D50U-843	Ign. Module	Honeywell
S8600H1022	50D50U-843	Ign. Module	Honeywell
S8600H1048	50D50U-843	Ign. Module	Honeywell
S8600H1055	50D50U-843	Ign. Module	Honeywell
S8600H1063	50D50U-843	Ign. Module	Honeywell
S8600H1071	50D50U-843	Ign. Module	Honeywell
S8600H1089	50D50U-843	Ign. Module	Honeywell
S8600H1097	50D50U-843	Ign. Module	Honeywell
S8600H1105	50D50U-843	Ign. Module	Honeywell
S8600H3002	50D50U-843	Ign. Module	Honeywell
S8600H3010	50D50U-843	Ign. Module	Honeywell
S8600M1005	50D50U-843	Ign. Module	Honeywell
S8600M1013	50D50U-843	Ign. Module	Honeywell
S8600M1021	50D50U-843	Ign. Module	Honeywell
S8600M2003	50D50U-843	Ign. Module	Honeywell
S8600M3001	50D50U-843	Ign. Module	Honeywell
S8600M4009	50D50U-843	Ign. Module	Honeywell
S860C1000	50D50U-843	Ign. Module	Honeywell
S860D1009	50D50U-843	Ign. Module	Honeywell
S860D1017	50D50U-843	Ign. Module	Honeywell
S8610A1009	50D50U-843	Ign. Module	Honeywell
S8610B1007	50D50U-843	Ign. Module	Honeywell



## CROSS REFERENCE

PART REPLACING	SUGGESTED REPLACEMENT(S)	PRODUCT CATEGORY	COMPANY NAME
S8610B1015	50D50U-843	Ign. Module	Honeywell
S8610B1023	50D50U-843	Ign. Module	Honeywell
S8610B3003	50D50U-843	Ign. Module	Honeywell
S8610C1005	50D50U-843	Ign. Module	Honeywell
S8610C1013	50D50U-843	Ign. Module	Honeywell
S8610C3001	50D50U-843	Ign. Module	Honeywell
S8610F1008	50D50U-843	Ign. Module	Honeywell
S8610F1016	50D50U-843	Ign. Module	Honeywell
S8610F1024	50D50U-843	Ign. Module	Honeywell
S8610F1032	50D50U-843	Ign. Module	Honeywell
S8610H1004	50D50U-843	Ign. Module	Honeywell
S8610H1012	50D50U-843	Ign. Module	Honeywell
S8610H1020	50D50U-843	Ign. Module	Honeywell
S8610H1038	50D50U-843	Ign. Module	Honeywell
S8610H1046	50D50U-843	Ign. Module	Honeywell
S8610H1053	50D50U-843	Ign. Module	Honeywell
S8610H1061	50D50U-843	Ign. Module	Honeywell
S8610H1079	50D50U-843	Ign. Module	Honeywell
S8610H1095	50D50U-843	Ign. Module	Honeywell
S8610H3000	50D50U-843	Ign. Module	Honeywell
S8610H3018	50D50U-843	Ign. Module	Honeywell
S8610H3026	50D50U-843	Ign. Module	Honeywell
S8610M1003	50D50U-843	Ign. Module	Honeywell
S8610M1011	50D50U-843	Ign. Module	Honeywell
S8610M1029	50D50U-843	Ign. Module	Honeywell
S8610M3009	50D50U-843	Ign. Module	Honeywell
S8610M3017	50D50U-843	Ign. Module	Honeywell
S8610U1003	50D50U-843	Ign. Module	Honeywell
S8610U1011	50D50U-843	Ign. Module	Honeywell
S8610U3009	50D50U-843	Ign. Module	Honeywell
S8620C1003	50D50U-843	Ign. Module	Honeywell
S8620C1011	50D50U-843	Ign. Module	Honeywell
S8620H1002	50D50U-843	Ign. Module	Honeywell
S8620H1010	50D50U-843	Ign. Module	Honeywell
S8620H1028	50D50U-843	Ign. Module	Honeywell
S8660D1002	50D50U-843	Ign. Module	Honeywell
S8660D1010	50D50U-843	Ign. Module	Honeywell
S8660J1008	50D50U-843	Ign. Module	Honeywell
S8660J1016	50D50U-843	Ign. Module	Honeywell
S8660J1024	50D50U-843	Ign. Module	Honeywell
S8660K1006	50D50U-843	Ign. Module	Honeywell
S8660K1014	50D50U-843	Ign. Module	Honeywell
S8660K1022	50D50U-843	Ign. Module	Honeywell
S8670D1000	50D50U-843	Ign. Module	Honeywell
S8670D1018	50D50U-843	Ign. Module	Honeywell
S8670D1026	50D50U-843	Ign. Module	Honeywell
S8670D3006	50D50U-843	Ign. Module	Honeywell
S8670D3014	50D50U-843	Ign. Module	Honeywell
S8670E1007	50D50U-843	Ign. Module	Honeywell
S8670E3003	50D50U-843	Ign. Module	Honeywell
S8670J3002	50D50U-843	Ign. Module	Honeywell
S8670J3010	50D50U-843	Ign. Module	Honeywell
S8670K3000	50D50U-843	Ign. Module	Honeywell

PART REPLACING	SUGGESTED REPLACEMENT(S)	PRODUCT CATEGORY	COMPANY NAME
S8680	50D50U-843	Ign. Module	Honeywell
S8680J1004	50D50U-843	Ign. Module	Honeywell
S86A1001	50D50U-843	Ign. Module	Honeywell
S86A1019	50D50U-843	Ign. Module	Honeywell
S86A1027	50D50U-843	Ign. Module	Honeywell
S86A1035	50D50U-843	Ign. Module	Honeywell
S86B1009	50D50U-843	Ign. Module	Honeywell
S86B1017	50D50U-843	Ign. Module	Honeywell
S86B1025	50D50U-843	Ign. Module	Honeywell
S86C1007	50D50U-843	Ign. Module	Honeywell
S86C1015	50D50U-843	Ign. Module	Honeywell
S86C1023	50D50U-843	Ign. Module	Honeywell
S86C1031	50D50U-843	Ign. Module	Honeywell
S86C1049	50D50U-843	Ign. Module	Honeywell
S86C1056	50D50U-843	Ign. Module	Honeywell
S86D1005	50D50U-843	Ign. Module	Honeywell
S86D1013	50D50U-843	Ign. Module	Honeywell
S86D1021	50D50U-843	Ign. Module	Honeywell
S86E1002	50D50U-843	Ign. Module	Honeywell
S86E1010	50D50U-843	Ign. Module	Honeywell
S86E1028	50D50U-843	Ign. Module	Honeywell
S86E1036	50D50U-843	Ign. Module	Honeywell
S86E1044	50D50U-843	Ign. Module	Honeywell
S86E1051	50D50U-843	Ign. Module	Honeywell
S86E1069	50D50U-843	Ign. Module	Honeywell
S86E1077	50D50U-843	Ign. Module	Honeywell
S86E1101	50D50U-843	Ign. Module	Honeywell
S86E1119	50D50U-843	Ign. Module	Honeywell
S86E1127	50D50U-843	Ign. Module	Honeywell
S86F1000	50D50U-843	Ign. Module	Honeywell
S86F1018	50D50U-843	Ign. Module	Honeywell
S86F1026	50D50U-843	Ign. Module	Honeywell
S86F1042	50D50U-843	Ign. Module	Honeywell
S86F1059	50D50U-843	Ign. Module	Honeywell
S86F1067	50D50U-843	Ign. Module	Honeywell
S86F1075	50D50U-843	Ign. Module	Honeywell
S86F1083	50D50U-843	Ign. Module	Honeywell
S86F1091	50D50U-843	Ign. Module	Honeywell
S86G1008	50D50U-843	Ign. Module	Honeywell
S86G1016	50D50U-843	Ign. Module	Honeywell
S86G1024	50D50U-843	Ign. Module	Honeywell
S86G1032	50D50U-843	Ign. Module	Honeywell
S86G1057	50D50U-843	Ign. Module	Honeywell
S86G1073	50D50U-843	Ign. Module	Honeywell
S86H1006	50D50U-843	Ign. Module	Honeywell
S86H1014	50D50U-843	Ign. Module	Honeywell
S86H1022	50D50U-843	Ign. Module	Honeywell
S86H1048	50D50U-843	Ign. Module	Honeywell
S86H1055	50D50U-843	Ign. Module	Honeywell
S86H1063	50D50U-843	Ign. Module	Honeywell
S86H1089	50D50U-843	Ign. Module	Honeywell
S86H1097	50D50U-843	Ign. Module	Honeywell
S86H1105	50D50U-843	Ign. Module	Honeywell

## CROSS REFERENCE

PART REPLACING	SUGGESTED REPLACEMENT(S)	PRODUCT CATEGORY	COMPANY NAME
S86H1113	50D50U-843	Ign. Module	Honeywell
S86H1121	50D50U-843	Ign. Module	Honeywell
S86H1139	50D50U-843	Ign. Module	Honeywell
S86H1147	50D50U-843	Ign. Module	Honeywell
S87B1008	50D50U-843	Ign. Module	Honeywell
S87B1016	50D50U-843	Ign. Module	Honeywell
S87B1024	50D50U-843	Ign. Module	Honeywell
S87B1065	50D50U-843	Ign. Module	Honeywell
S87C1006	50D50U-843	Ign. Module	Honeywell
S87C1014	50D50U-843	Ign. Module	Honeywell
S87C1030	50D50U-843	Ign. Module	Honeywell
S87D1004	50D50U-843	Ign. Module	Honeywell
S87D1012	50D50U-843	Ign. Module	Honeywell
S87D1020	50D50U-843	Ign. Module	Honeywell
S87D1038	50D50U-843	Ign. Module	Honeywell
S87J1026	50D50U-843	Ign. Module	Honeywell
S87J1034	50D50U-843	Ign. Module	Honeywell
S87K10016	50D50U-843	Ign. Module	Honeywell
S87K1008	50D50U-843	Ign. Module	Honeywell
S890C1007	50E47U-843, 50E47-843	Ign. Module	Honeywell
S890D1006	50E47U-843, 50E47-843	Ign. Module	Honeywell
S890G1003	50E47U-843, 50E47-843	Ign. Module	Honeywell
S890G1011	50E47U-843, 50E47-843	Ign. Module	Honeywell
S890G1029	50E47U-843, 50E47-843	Ign. Module	Honeywell
S890G1037	50E47U-843, 50E47-843	Ign. Module	Honeywell
S890H1002	50E47U-843, 50E47-843	Ign. Module	Honeywell
S890H1010	50E47U-843, 50E47-843	Ign. Module	Honeywell
S890H1028	50E47U-843, 50E47-843	Ign. Module	Honeywell
S8910U	50E47U-843	Ign. Module	Honeywell
S8910U1000	50E47U-843, 50E47-843	Ign. Module	Honeywell
S8910U3000	50E47U-843, 50E47-843	Ign. Module	Honeywell
S89C1004	50E47U-843, 50E47-843	Ign. Module	Honeywell
S89C1012	50E47U-843, 50E47-843	Ign. Module	Honeywell
S89C1046	50E47U-843, 50E47-843	Ign. Module	Honeywell
S89C1079	50E47U-843, 50E47-843	Ign. Module	Honeywell
S89C1087	50E47U-843, 50E47-843	Ign. Module	Honeywell
S89C1095	50E47U-843	Ign. Module	Honeywell
S89C1103	50E47U-843, 50E47-843	Ign. Module	Honeywell
S89D1002	50E47U-843, 50E47-843	Ign. Module	Honeywell
S89G1005	50E47U-843, 50E47-843	Ign. Module	Honeywell
S89G1013	50E47U-843, 50E47-843	Ign. Module	Honeywell
S89G1021	50E47U-843, 50E47-843	Ign. Module	Honeywell
S89G1047	50E47U-843, 50E47-843	Ign. Module	Honeywell
S89H1003	50E47U-843, 50E47-843	Ign. Module	Honeywell
S89H1011	50E47U-843, 50E47-843	Ign. Module	Honeywell
S89H1029	50E47U-843, 50E47-843	Ign. Module	Honeywell
S89J1008	50E47U-843, 50E47-843	Ign. Module	Honeywell
S90A1005	50D50U-843	Ign. Module	Honeywell
S90B1003	50D50U-843	Ign. Module	Honeywell
S90B1011	50D50U-843	Ign. Module	Honeywell
S9200U1000	50M56X-843, 50M56U-843	Furnace Ctl.	Honeywell
SA2S3024V	49M11-843	Contactora	API
SEN00028	3049-115	Flame Sensor	Trane

PART REPLACING	SUGGESTED REPLACEMENT(S)	PRODUCT CATEGORY	COMPANY NAME
SEN00429	3046-5	Flame Sensor	Trane
SEN00431	3098-134	Flame Sensor	Trane
SEN00432	3098-156	Flame Sensor	Trane
SEN00433	30A46-5	Flame Sensor	Trane
SEN00640	30A46-105	Flame Sensor	Trane
SEN00844	760-401, 790-843A1	Flame Sensor	Trane
SEN01114	790-820A1, 790-843A1	Flame Sensor	Trane
SEN0441	790-820A1, 790-843A1	Flame Sensor	Trane
SEN1114	790-820A1, 790-843A1	Flame Sensor	Trane
SEN441	790-820A1, 790-843A1	Flame Sensor	Trane
SEN491	790-820A1, 790-843A1	Flame Sensor	Trane
SIG-107	21D64-44	Ignitor	Supco
SIG-401	767A-369	Ignitor	Sig
SIG-402	21D64-44	Ignitor	Supco
SIG-403	21D64-44	Ignitor	Supco
SIG-405	21D64-44	Ignitor	Supco
SIG-407	21D64-44	Ignitor	Supco
SIG-408	21D64-44	Ignitor	Supco
SIG-409	21D64-44	Ignitor	Supco
SIG-410	21D64-44	Ignitor	Supco
SIG-412	21D64-44	Ignitor	Supco
SIG-414	21D64-44	Ignitor	Supco
SK24882-1	36H64-463	Gas Valve	Welbilt
SK50608	36C03-300	Gas Valve	Cleveland Range
SK50609	36C03-333	Gas Valve	Cleveland Range
SM-100	3098-156	Flame Sensor	Wayne Comb.
SM102	36C84-923	Gas Valve	Wayne Comb.
SP10763C	50D50U-843	Ign. Module	Rheem
SP12144	790-843A1, 790-843A5PK	Flame Sensor	Rheem
SP715	50D50U-843	Ign. Module	Robertshaw
SP715A	50D50U-843	Ign. Module	Robertshaw
SP735	50D50U-843	Ign. Module	Robertshaw
SP735D	50D50U-843	Ign. Module	Robertshaw
SP735L	50D50U-843	Ign. Module	Robertshaw
SP745	50D50U-843	Ign. Module	Robertshaw
S-SPL-62	764-742	Gas Valve	Aspen Industrial
ST74A1004	47D01U-843	Defrost Ctl.	Honeywell
ST74A1020	47D01U-843	Defrost Ctl.	Honeywell
ST74A1038	47D01U-843	Defrost Ctl.	Honeywell
ST74A1053	47D01U-843	Defrost Ctl.	Honeywell
ST74C1002	47D01U-843	Defrost Ctl.	Honeywell
ST9101A1006	50F06-843	Fan Blower Ctl.	Honeywell
ST9101A1014	50F06-843	Fan Blower Ctl.	Honeywell
ST9101A1022	50F06-843	Fan Blower Ctl.	Honeywell
ST9120A1006	50F06-843	Fan Blower Ctl.	Honeywell
ST9120A2004	50F06-843	Fan Blower Ctl.	Honeywell
ST9120B1005	50F06-843	Fan Blower Ctl.	Honeywell
ST9120C1012	50F06-843	Fan Blower Ctl.	Honeywell
ST9120C1020	50F06-843	Fan Blower Ctl.	Honeywell
ST9120C2002	50F06-843	Fan Blower Ctl.	Honeywell
ST9120C2010	50F06-843	Fan Blower Ctl.	Honeywell
ST9120C2028	50F06-843	Fan Blower Ctl.	Honeywell

## CROSS REFERENCE

PART REPLACING	SUGGESTED REPLACEMENT(S)	PRODUCT CATEGORY	COMPANY NAME
ST9120C3000	50F06-843	Fan Blower Ctl.	Honeywell
ST9120C3018	50F06-843	Fan Blower Ctl.	Honeywell
ST9120C4008	50F06-843	Fan Blower Ctl.	Honeywell
ST9120C4016	50F06-843	Fan Blower Ctl.	Honeywell
ST9120C4040	50F06-843	Fan Blower Ctl.	Honeywell
ST9120C4057	50F06-843	Fan Blower Ctl.	Honeywell
ST9120C5005	50F06-843	Fan Blower Ctl.	Honeywell
ST9120C5013	50F06-843	Fan Blower Ctl.	Honeywell
ST9120D3009	50F06-843	Fan Blower Ctl.	Honeywell
ST9120G2008	50F06-843	Fan Blower Ctl.	Honeywell
ST9120G2016	50F06-843	Fan Blower Ctl.	Honeywell
ST9120G2024	50F06-843	Fan Blower Ctl.	Honeywell
ST9120G2032	50F06-843	Fan Blower Ctl.	Honeywell
ST9120G4004	50F06-843	Fan Blower Ctl.	Honeywell
ST9120G4012	50F06-843	Fan Blower Ctl.	Honeywell
ST9120G4038	50F06-843	Fan Blower Ctl.	Honeywell
ST9120U1003	50F06-843	Fan Blower Ctl.	Honeywell
ST9120U1011	50F06-843	Fan Blower Ctl.	Honeywell
ST9141A1002	50F06-843	Fan Blower Ctl.	Honeywell
ST9141A1028	50F06-843	Fan Blower Ctl.	Honeywell
ST9141B1001	50F06-843	Fan Blower Ctl.	Honeywell
ST9150A1003	50F06-843	Fan Blower Ctl.	Honeywell
ST9150B2000	50F06-843	Fan Blower Ctl.	Honeywell
ST9150B2018	50F06-843	Fan Blower Ctl.	Honeywell
ST9150B2026	50F06-843	Fan Blower Ctl.	Honeywell
ST9150B2034	50F06-843	Fan Blower Ctl.	Honeywell
ST9160A1002	50F06-843	Fan Blower Ctl.	Honeywell
ST9160B1001	50F06-843	Fan Blower Ctl.	Honeywell
ST9160B1019	50F06-843	Fan Blower Ctl.	Honeywell
ST9160B1027	50F06-843	Fan Blower Ctl.	Honeywell
ST9160B1035	50F06-843	Fan Blower Ctl.	Honeywell
ST9160B1043	50F06-843	Fan Blower Ctl.	Honeywell
ST9160B1050	50F06-843	Fan Blower Ctl.	Honeywell
ST9160B1068	50F06-843	Fan Blower Ctl.	Honeywell
ST9160B1076	50F06-843	Fan Blower Ctl.	Honeywell
ST9160B1084	50F06-843	Fan Blower Ctl.	Honeywell
ST9160C1000	50F06-843	Fan Blower Ctl.	Honeywell
ST9160C1018	50F06-843	Fan Blower Ctl.	Honeywell
SV-12-0	764-742	Gas Valve	RH Peterson
SV-5-0	36C03-333	Gas Valve	RH Peterson
SV9500H2609	50I56D-905	Smart Valve	Honeywell
SV9500H2724	50I56D-905	Smart Valve	Honeywell
SV9500M2628	50I56D-905	Smart Valve	Honeywell
SV9500M2682	50I56D-905	Smart Valve	Honeywell
SV9500M2690	50I56D-905	Smart Valve	Honeywell
SV9500M2708	50I56D-905	Smart Valve	Honeywell
SV9501H2409	50I56D-905	Smart Valve	Honeywell
SV9501H2417	50I56D-905	Smart Valve	Honeywell
SV9501M2056	50I56D-905	Smart Valve	Honeywell
SV9501M2528	50I56D-905	Smart Valve	Honeywell
SV9501M2700	50I56D-905	Smart Valve	Honeywell
SV9501M2718	50I56D-905	Smart Valve	Honeywell
SV9501M2726	50I56D-905	Smart Valve	Honeywell

PART REPLACING	SUGGESTED REPLACEMENT(S)	PRODUCT CATEGORY	COMPANY NAME
SV9502H1706	50I56D-905	Smart Valve	Honeywell
SV9502H2522	50I56D-905	Smart Valve	Honeywell
SV9502H2704	50I56D-905	Smart Valve	Honeywell
SWT00605	3049-115	Flame Sensor	Trane
T6-2102	50D50U-843	Ign. Module	Lennox
TD-10	47D01U-843	Defrost Ctl.	Robertshaw
TMX130A2	49M11-843	Contactora	Titan Max
TMX140A2	49M11-843	Contactora	Titan Max
TP-3140	36J54-214	Gas Valve	Detroit Radiant
TP-3141	36J54-214	Gas Valve	Detroit Radiant
TP-840A	36J54-214, 36H64-463	Gas Valve	Detroit Radiant
TP-841A	36J54-214, 36H64-463	Gas Valve	Detroit Radiant
TU15576	36J54-214	Gas Valve	Alliance
TUT 261	36H32-304	Gas Valve	Alliance
TUT207	760-401, 790-843A1	Flame Sensor	Alliance
TUT261	36H32-304, 36H32-423	Gas Valve	Alliance
TUX 352	36H32-423	Gas Valve	Alliance
TUX352	36H32-423	Gas Valve	Alliance
TUX435	36H32-423	Gas Valve	Alliance
USI715U	50D50U-843	Ign. Module	Robertshaw
UT 149-480	47D01U-843	Defrost Ctl.	Rheem
UT 149-600	47D01U-843	Defrost Ctl.	Rheem
V0059600	36H64-463	Gas Valve	Jandy Pool
V00708	36H64-463	Gas Valve	Jandy Pool
V0070800102	36H64-463	Gas Valve	Jandy Pool
V07190	36J22-214	Gas Valve	Aaon
V07200	36J54-214	Gas Valve	Aaon
V11-NG	36C03-333	Gas Valve	Rasmussen
V400A 1046	36C03A-410	Gas Valve	Honeywell
V400A 1095	36C03A-410	Gas Valve	Honeywell
V400A 1285	36C03A-410	Gas Valve	Honeywell
V400A1095	36C03A-410	Gas Valve	Honeywell
V69580	36J24-214	Gas Valve	Aaon
V69590	36H33-412	Gas Valve	Aaon
V800A1021	36C03-300	Gas Valve	Honeywell
V800A1070	36C03-333	Gas Valve	Honeywell
V800A1088	36C03-433	Gas Valve	Honeywell
V800A1476	36C03-300	Gas Valve	Honeywell
V800A1484	36C03-333	Gas Valve	Honeywell
V800A1492	36C03-433	Gas Valve	Honeywell
V800A1591	36C03-400	Gas Valve	Honeywell
V800A1666	36C03-400	Gas Valve	Honeywell
V800C1359	36C74-913	Gas Valve	Honeywell
V80A1160	36C03-300	Gas Valve	Honeywell
V80B1078	36C03-300	Gas Valve	Honeywell
V80G1008	36C03-300	Gas Valve	Honeywell
V8202A1018	36C03-300	Gas Valve	Honeywell
V8202A1034	36C03-300	Gas Valve	Honeywell
V8249A1021	36C03-300	Gas Valve	Honeywell
V845A1109	36H32-423	Gas Valve	Honeywell
V9-126	36H32-423	Gas Valve	Baxter
VAL02900	36C03-433	Gas Valve	White-Rodgers
VAL02990	36C94-906	Gas Valve	White-Rodgers

# CROSS REFERENCE

PART REPLACING	SUGGESTED REPLACEMENT(S)	PRODUCT CATEGORY	COMPANY NAME
VAL03194	36C53-418	Gas Valve	White-Rodgers
VAL04375	36C03U-433	Gas Valve	White-Rodgers
VAL04379	36H32-304	Gas Valve	White-Rodgers
VAL04390	36C94-303	Gas Valve	White-Rodgers
VAL04392	36C01A-405	Gas Valve	White-Rodgers
VAL04395	36C03A-410	Gas Valve	White-Rodgers
VAL04399	36C74-913	Gas Valve	White-Rodgers
VAL04858	36J22-214	Gas Valve	White-Rodgers
VAL04921	36C03-300	Gas Valve	White-Rodgers
VAL04922	36C03-333	Gas Valve	White-Rodgers
VAL04923	36C03-400	Gas Valve	White-Rodgers
VAL04924	36C03-433	Gas Valve	White-Rodgers
VAL04925	36C03U-333	Gas Valve	White-Rodgers
VAL05756	36C53-418	Gas Valve	White-Rodgers
VAL07416	36H33-412	Gas Valve	White-Rodgers
VAL07731	36J22-214	Gas Valve	White-Rodgers
VAL07732	36J24-214	Gas Valve	White-Rodgers
VAL07973	36J22-214	Gas Valve	White-Rodgers
VAL08027	36J54-214	Gas Valve	White-Rodgers
VAL08055	36J54-214	Gas Valve	White-Rodgers
VAL08237	36J54-214	Gas Valve	White-Rodgers
VAL08388	764-742	Gas Valve	White-Rodgers
VAL08710	36J22-214	Gas Valve	White-Rodgers
VAL08750	36H64-463	Gas Valve	White-Rodgers
VAL08843	36H32-423	Gas Valve	White-Rodgers
VAL08897	36H64-463	Gas Valve	White-Rodgers
VAL08898	36C84-945	Gas Valve	White-Rodgers
VAL08930	36C84-912	Gas Valve	White-Rodgers
VAL08931	36C84-923	Gas Valve	White-Rodgers
VAL09028	36J22-214	Gas Valve	White-Rodgers
VAL09029	36J24-214	Gas Valve	White-Rodgers
VAL09030	36J54-214	Gas Valve	White-Rodgers
VAL09031	36J54-214	Gas Valve	White-Rodgers
VAL09033	36J22-214	Gas Valve	White-Rodgers
VAL09034	36J54-214	Gas Valve	White-Rodgers
VAL10324	36H32-304	Gas Valve	White-Rodgers
VAL12196	36H33-412	Gas Valve	White-Rodgers
VAL12644	36J54-214	Gas Valve	White-Rodgers
VAL12780	36H32-423	Gas Valve	White-Rodgers
VAL20173	36G22-254	Gas Valve	White-Rodgers
VAL2400	36H32-423	Gas Valve	White-Rodgers
VAL2401	36H32-423	Gas Valve	White-Rodgers
VAL2913	36C74-913	Gas Valve	White-Rodgers
VAL2917	36H64-463	Gas Valve	White-Rodgers
VAL2918	36H64-463	Gas Valve	White-Rodgers
VAL2926	36C74-913	Gas Valve	White-Rodgers
VG-008.04	36C84-921	Gas Valve	Utica Boiler
VG008.08	36H32-423	Gas Valve	Utica Boiler
VG-008.08	36H32-423	Gas Valve	ECR Int.
VG008.8	36H32-423	Gas Valve	Utica Boiler
VH700-501	36C03U-333, 36C03U-433	Gas Valve	Robertshaw
VH700-502	36C03U-333, 36C03U-433	Gas Valve	Robertshaw
VH700-503	36C03U-333, 36C03U-433	Gas Valve	Robertshaw

PART REPLACING	SUGGESTED REPLACEMENT(S)	PRODUCT CATEGORY	COMPANY NAME
VH700-504	36C03U-333, 36C03U-433	Gas Valve	Robertshaw
VH700-505	36C03U-433	Gas Valve	Robertshaw
VH700-506	36C03U-433	Gas Valve	Robertshaw
VH700-514	36C03U-333, 36C03U-433	Gas Valve	Robertshaw
VH710-501	36C03U-433	Gas Valve	Robertshaw
VR4300A4502	36C03A-410	Gas Valve	Honeywell
VR8200A2124	36C03-300	Gas Valve	Honeywell
VR8200A2132	36C03-300	Gas Valve	Honeywell
VR8200A2322	36C03-300	Gas Valve	Honeywell
VR8200A2744	36C03-333	Gas Valve	Honeywell
VR8200H1236	36C53-418	Gas Valve	Honeywell
VR8200H1251	36C53-418	Gas Valve	Honeywell
VR8204A1201	36G32-500, 36H32-214, 36H32-304	Gas Valve	Honeywell
VR8204A1219	36G32-500, 36H32-214, 36H32-304	Gas Valve	Honeywell
VR8204A2001	36G32-500	Gas Valve	Honeywell
VR8204A2035	36G32-500	Gas Valve	Honeywell
VR8204A2076	36G32-500, 36H32-214, 36H32-304	Gas Valve	Honeywell
VR8204A2105	36G32-500	Gas Valve	Honeywell
VR8204A2175	36G32-500, 36H32-214, 36H32-304	Gas Valve	Honeywell
VR8204A2225	36H32-214, 36H32-304, 36H32-423	Gas Valve	Honeywell
VR8204A2258	36G32-500, 36H32-214, 36H32-304	Gas Valve	Honeywell
VR8204A2266	36G32-500, 36H32-214, 36H32-304	Gas Valve	Honeywell
VR8204A2803	36G32-500, 36H32-214, 36H32-304	Gas Valve	Honeywell
VR8204A2837	36G32-500	Gas Valve	Honeywell
VR8204A2852	36G32-500	Gas Valve	Honeywell
VR8204A8800	36G32-500	Gas Valve	Honeywell
VR8204A8818	36G32-500	Gas Valve	Honeywell
VR8204A8826	36G32-500	Gas Valve	Honeywell
VR8204A8834	36G32-500	Gas Valve	Honeywell
VR8204A8842	36G32-500	Gas Valve	Honeywell
VR8204C1019	36C74-913	Gas Valve	Honeywell
VR8204C1027	36C74-913	Gas Valve	Honeywell
VR8204C1035	36C74-913	Gas Valve	Honeywell
VR8204H1006	36G33-500, 36H33-412	Gas Valve	Honeywell
VR8204H1014	36G33-500, 36H33-412	Gas Valve	Honeywell
VR8204H1022	36G33-500	Gas Valve	Honeywell
VR8204H1048	36G33-500	Gas Valve	Honeywell
VR8204H1055	36G33-500	Gas Valve	Honeywell
VR8204H1097	36G33-500	Gas Valve	Honeywell
VR8204H1907	36G33-500	Gas Valve	Honeywell
VR8204H2301	36G33-500	Gas Valve	Honeywell
VR8204H2814	36G33-500	Gas Valve	Honeywell
VR8204H3440	36G33-500	Gas Valve	Honeywell
VR8204H8019	36G33-500	Gas Valve	Honeywell
VR8204K2729	36G33-500	Gas Valve	Honeywell
VR8204M1000	36G32-500	Gas Valve	Honeywell
VR8204M1018	36G32-500	Gas Valve	Honeywell
VR8204M1026	36G32-500	Gas Valve	Honeywell
VR8204M1075	36G32-500, 36H32-214, 36H32-304	Gas Valve	Honeywell
VR8204M1091	36G32-500, 36H32-214, 36H32-304	Gas Valve	Honeywell
VR8204M1216	36G32-500	Gas Valve	Honeywell
VR8204M1224	36G32-500	Gas Valve	Honeywell
VR8204M1232	36G32-500	Gas Valve	Honeywell

# CROSS REFERENCE

PART REPLACING	SUGGESTED REPLACEMENT(S)	PRODUCT CATEGORY	COMPANY NAME
VR8204M1901	36G32-500	Gas Valve	Honeywell
VR8204M8005	36G32-500, 36H32-214, 36H32-304	Gas Valve	Honeywell
VR8204M8013	36H32-214, 36H32-304, 36H32-423	Gas Valve	Honeywell
VR8205A2008	36J22-214, 36H32-214, 36H32-304	Gas Valve	Honeywell
VR8205A2016	36J22-214, 36H32-214, 36H32-304	Gas Valve	Honeywell
VR8205A2024	36J22-214, 36H32-214, 36H32-304	Gas Valve	Honeywell
VR8205A2065	36J22-214, 36H32-214, 36H32-304	Gas Valve	Honeywell
VR8205A2081	36J22-214, 36H32-214, 36H32-304	Gas Valve	Honeywell
VR8205A2131	36J22-214, 36H32-214, 36H32-304	Gas Valve	Honeywell
VR8205A2263	36J22-214, 36H32-214, 36H32-304	Gas Valve	Honeywell
VR8205A2800	36J22-214, 36H32-214, 36H32-304	Gas Valve	Honeywell
VR8205C1016	36C74-913	Gas Valve	Honeywell
VR8205C1024	36C74-913	Gas Valve	Honeywell
VR8205H1003	36J24-214, 36H33-412	Gas Valve	Honeywell
VR8205H1011	36J24-214, 36H33-412	Gas Valve	Honeywell
VR8205H1052	36H33-412	Gas Valve	Honeywell
VR8205H2605	36J24-214, 36H33-412	Gas Valve	Honeywell
VR8205H2621	36J24-214, 36H33-412	Gas Valve	Honeywell
VR8205H8024	36H33-412	Gas Valve	Honeywell
VR8205K1157	36J24-214, 36H33-412	Gas Valve	Honeywell
VR8205K1173	36J24-214, 36H33-412	Gas Valve	Honeywell
VR8205K2247	36J24-214, 36H33-412	Gas Valve	Honeywell
VR8205K2593	36J24-214, 36H33-412	Gas Valve	Honeywell
VR8205K2619	36J24-214, 36H33-412	Gas Valve	Honeywell
VR8205M1080	36J22-214, 36H32-214, 36H32-304	Gas Valve	Honeywell
VR8205M1106	36J22-214, 36H32-214, 36H32-304	Gas Valve	Honeywell
VR8205M1122	36J22-214, 36H32-214, 36H32-304	Gas Valve	Honeywell
VR8205M1130	36J22-214, 36H32-214, 36H32-304	Gas Valve	Honeywell
VR8205M1148	36J22-214, 36H32-214, 36H32-304	Gas Valve	Honeywell
VR8205M1155	36J22-214, 36H32-214, 36H32-304	Gas Valve	Honeywell
VR8205M1163	36J22-214, 36H32-214, 36H32-304	Gas Valve	Honeywell
VR8205M2310	36J22-214, 36H32-214, 36H32-304	Gas Valve	Honeywell
VR8205M2401	36J22-214, 36H32-214, 36H32-304	Gas Valve	Honeywell
VR8205M2443	36H32-214, 36H32-304, 36H32-423	Gas Valve	Honeywell
VR8205M2450	36H32-214, 36H32-304, 36H32-423	Gas Valve	Honeywell
VR8205M2476	36J22-214, 36H32-214, 36H32-304	Gas Valve	Honeywell
VR8205M2484	36J22-214, 36H32-214, 36H32-304	Gas Valve	Honeywell
VR8205M2831	36J22-214, 36H32-214, 36H32-304	Gas Valve	Honeywell
VR8205M2864	36J22-214, 36H32-214, 36H32-304	Gas Valve	Honeywell
VR8205M2872	36J22-214, 36H32-214, 36H32-304	Gas Valve	Honeywell
VR8205M2880	36J22-214, 36H32-214, 36H32-304	Gas Valve	Honeywell
VR8205M2948/B	36J24-214	Gas Valve	Honeywell
VR8205M5024	36J22-214, 36H32-214, 36H32-304	Gas Valve	Honeywell
VR8205M5032	36J22-214, 36H32-214, 36H32-304	Gas Valve	Honeywell
VR8205Q2555	36H64-463	Gas Valve	Honeywell
VR8205S2262	36J22-214, 36H32-214, 36H32-304	Gas Valve	Honeywell
VR8205S2270	36J22-214, 36H32-214, 36H32-304	Gas Valve	Honeywell
VR8205S2296	36J22-214, 36H32-214, 36H32-304	Gas Valve	Honeywell
VR8205S2338	36J22-214, 36H32-214, 36H32-304	Gas Valve	Honeywell
VR8205S2353	36J22-214, 36H32-214, 36H32-304	Gas Valve	Honeywell
VR8205S2361	36J22-214, 36H32-214, 36H32-304	Gas Valve	Honeywell
VR8205S2379	36J22-214, 36H32-214, 36H32-304	Gas Valve	Honeywell
VR8205S2395	36J22-214, 36H32-214, 36H32-304	Gas Valve	Honeywell

PART REPLACING	SUGGESTED REPLACEMENT(S)	PRODUCT CATEGORY	COMPANY NAME
VR8205S2437	36J22-214, 36H32-214, 36H32-304	Gas Valve	Honeywell
VR8205S2858	36J22-214, 36H32-214, 36H32-304	Gas Valve	Honeywell
VR8205S2882	36J22-214, 36H32-214, 36H32-304	Gas Valve	Honeywell
VR8205S2890	36G22-254, 36J22-214	Gas Valve	Honeywell
VR8205S5802	36J22-214, 36H32-214, 36H32-304	Gas Valve	Honeywell
VR8205S5828	36J22-214, 36H32-214, 36H32-304	Gas Valve	Honeywell
VR8205S5836	36J22-214, 36H32-214, 36H32-304	Gas Valve	Honeywell
VR8205S5844	36J22-214, 36H32-214, 36H32-304	Gas Valve	Honeywell
VR8205T5801	36J24-214, 36H33-412	Gas Valve	Honeywell
VR8215S1214	36G22-254, 36J22-214	Gas Valve	Honeywell
VR8215S1222	36J22-214, 36H32-214, 36H32-304	Gas Valve	Honeywell
VR8215S1263	36J22-214, 36H32-214, 36H32-304	Gas Valve	Honeywell
VR8215S1503	36J22-214, 36H32-214, 36H32-304	Gas Valve	Honeywell
VR8215S5207	36J22-214, 36H32-214, 36H32-304	Gas Valve	Honeywell
VR8215S5215	36J22-214, 36H32-214, 36H32-304	Gas Valve	Honeywell
VR8215T1205	36J24-214, 36H33-412	Gas Valve	Honeywell
VR8215T1239	36J24-214, 36H33-412	Gas Valve	Honeywell
VR8215T1502	36J24-214, 36H33-412	Gas Valve	Honeywell
VR8215T5206	36J24-214, 36H33-412	Gas Valve	Honeywell
VR8215T5214	36J24-214, 36H33-412	Gas Valve	Honeywell
VR8245M2530	36G32-500, 36H32-214, 36H32-304	Gas Valve	Honeywell
VR8300A3500	36C03-333	Gas Valve	Honeywell
VR8300A3518	36C03-433	Gas Valve	Honeywell
VR8300A4508	36C03-433	Gas Valve	Honeywell
VR8300A4516	36C03-433	Gas Valve	Honeywell
VR8300H4501	36C53-418	Gas Valve	Honeywell
VR8300M4406	36C03-433	Gas Valve	Honeywell
VR8300M4505	36C03-433	Gas Valve	Honeywell
VR8304H3505	36H33-412	Gas Valve	Honeywell
VR8304H4503	36H33-412	Gas Valve	Honeywell
VR8304M2501	36H32-214, 36H32-304, 36H32-423	Gas Valve	Honeywell
VR8304M3509	36H32-304, 36H32-423	Gas Valve	Honeywell
VR8304M4002	36H32-423	Gas Valve	Honeywell
VR8304M4507	36H32-423	Gas Valve	Honeywell
VR8304P4504	36C74-913	Gas Valve	Honeywell
VR8304Q4511	36H64-463	Gas Valve	Honeywell
VR8305M3506	36H32-304, 36H32-423	Gas Valve	Honeywell
VR8305M4066	36H32-423	Gas Valve	Honeywell
VR8305M4165	36H32-423	Gas Valve	Honeywell
VR8305M4231	36H32-423	Gas Valve	Honeywell
VR8305P2208	36C74-913	Gas Valve	Honeywell
VR8305P4204	36C74-913	Gas Valve	Honeywell
VR8305P4279	36C74-913	Gas Valve	Honeywell
VR8305Q4500	36H64-463	Gas Valve	Honeywell
VR8345K4809	36H33-412	Gas Valve	Honeywell
VR8345M4302	36H32-423	Gas Valve	Honeywell
VR8345Q4563	36H64-463	Gas Valve	Honeywell
VR8440A2001	36H32-423	Gas Valve	Honeywell
VR8440A2050	36H32-423	Gas Valve	Honeywell
VR8440A2084	36H32-423	Gas Valve	Honeywell
VR8440A2118	36H32-423	Gas Valve	Honeywell
VR8440M2016	36H32-423	Gas Valve	Honeywell
VR8440M2024	36H32-423	Gas Valve	Honeywell



# CROSS REFERENCE

PART REPLACING	SUGGESTED REPLACEMENT(S)	PRODUCT CATEGORY	COMPANY NAME
VR8440M2032	36H32-423	Gas Valve	Honeywell
VR8440M2040	36H32-423	Gas Valve	Honeywell
VR8440M2057	36H32-423	Gas Valve	Honeywell
VR8440M2065	36H32-423	Gas Valve	Honeywell
VR8440M3048	36H32-304	Gas Valve	Honeywell
VS1200-102	36C03U-433	Gas Valve	Robertshaw
VS8002A1006	36C03U-433	Gas Valve	Honeywell
VS8002A1014	36C03U-433	Gas Valve	Honeywell
VS8002A1022	36C03U-433	Gas Valve	Honeywell
VS8002A1055	36C03U-433	Gas Valve	Honeywell
VS800A1054	36C03U-433	Gas Valve	Honeywell
VS800A1336	36C03U-433	Gas Valve	Honeywell
VS800H1015	36C03U-433	Gas Valve	Honeywell
VS8133A1009	36C03U-333	Gas Valve	Honeywell
VS8133B1008	36C03U-333	Gas Valve	Honeywell
VS8133B1016	36C03U-333	Gas Valve	Honeywell
VS8137A1000	36C03U-433	Gas Valve	Honeywell
VS8138A1008	36C03U-333	Gas Valve	Honeywell
VS8138A1016	36C03U-333	Gas Valve	Honeywell
VS8138A1024	36C03U-433	Gas Valve	Honeywell
VS8138A1115	36C03U-433	Gas Valve	Honeywell
VS8138A1149	36C03U-333	Gas Valve	Honeywell
VS8138B1007	36C03U-433	Gas Valve	Honeywell
VS8138B1015	36C03U-433	Gas Valve	Honeywell
VS8138B1023	36C03U-433	Gas Valve	Honeywell
VS8138B1049	36C03U-433	Gas Valve	Honeywell
VS8138C1014	36C03U-433	Gas Valve	Honeywell
VS8138C1022	36C03U-433	Gas Valve	Honeywell
VS8138C1030	36C03U-433	Gas Valve	Honeywell
VS8138F1003	36C03U-333	Gas Valve	Honeywell
VS8138G1002	36C03U-433	Gas Valve	Honeywell
VS8148A1007	36C03U-433	Gas Valve	Honeywell
VS8148A1015	36C03U-433	Gas Valve	Honeywell
VS8148A1023	36C03U-433	Gas Valve	Honeywell
VS8148A1031	36C03U-433	Gas Valve	Honeywell
VS8148A1049	36C03U-433	Gas Valve	Honeywell
VS8148A1056	36C03U-433	Gas Valve	Honeywell
VS8148A1064	36C03U-433	Gas Valve	Honeywell
VS8148B1006	36C03U-433	Gas Valve	Honeywell
VS8148B1014	36C03U-433	Gas Valve	Honeywell
VS8148B1022	36C03U-433	Gas Valve	Honeywell
VS8148B1030	36C03U-433	Gas Valve	Honeywell
VS8148B1048	36C03U-433	Gas Valve	Honeywell
VS8154A1005	36C03U-433	Gas Valve	Honeywell
VS8154A1013	36C03U-433	Gas Valve	Honeywell
VS8154A1021	36C03U-433	Gas Valve	Honeywell
VS8154A1039	36C03U-433	Gas Valve	Honeywell
VS8167A1007	36C03U-333	Gas Valve	Honeywell
VS8167A1015	36C03U-333	Gas Valve	Honeywell
VS8167A1023	36C03U-333	Gas Valve	Honeywell
VS8167A1031	36C03U-333	Gas Valve	Honeywell
VS8167A1049	36C03U-333	Gas Valve	Honeywell
VS8167A1056	36C03U-333	Gas Valve	Honeywell

PART REPLACING	SUGGESTED REPLACEMENT(S)	PRODUCT CATEGORY	COMPANY NAME
VS8167A1064	36C03U-333	Gas Valve	Honeywell
VS8167A1072	36C03U-333	Gas Valve	Honeywell
VS8167A1080	36C03U-333	Gas Valve	Honeywell
VS8167A1098	36C03U-333	Gas Valve	Honeywell
VS8167A1106	36C03U-333	Gas Valve	Honeywell
VS8167A1114	36C03U-333	Gas Valve	Honeywell
VS8167A1130	36C03U-333	Gas Valve	Honeywell
VS8167A1148	36C03U-333	Gas Valve	Honeywell
VS8167A1X21A	36C03U-333	Gas Valve	Honeywell
VS8167A1X4B	36C03U-333	Gas Valve	Honeywell
VS8167A2X21A	36C03U-333	Gas Valve	Honeywell
VS8167A2X21C	36C03U-333	Gas Valve	Honeywell
VS8167A2X4A	36C03U-333	Gas Valve	Honeywell
VS8167A3X4A	36C03U-333	Gas Valve	Honeywell
VS8167A3X4B	36C03U-333	Gas Valve	Honeywell
VS8167A4X21B	36C03U-333	Gas Valve	Honeywell
VS8167A4X3B	36C03U-333	Gas Valve	Honeywell
VS8167A4X4A	36C03U-333	Gas Valve	Honeywell
VS8167A5X4A	36C03U-333	Gas Valve	Honeywell
VS8167A6X4A	36C03U-333	Gas Valve	Honeywell
VS8167B1006	36C03U-433	Gas Valve	Honeywell
VS8167D1004	36C03U-333	Gas Valve	Honeywell
VS8167D1012	36C03U-333	Gas Valve	Honeywell
VS8167D1020	36C03U-333	Gas Valve	Honeywell
VS8167D1038	36C03U-333	Gas Valve	Honeywell
VS8167D1046	36C03U-333	Gas Valve	Honeywell
VS8167D1053	36C03U-333	Gas Valve	Honeywell
VS8167D1061	36C03U-333	Gas Valve	Honeywell
VS8167D1079	36C03U-333	Gas Valve	Honeywell
VS8167D1087	36C03U-333	Gas Valve	Honeywell
VS8167D1095	36C03U-333	Gas Valve	Honeywell
VS8167D1103	36C03U-333	Gas Valve	Honeywell
VS8167D1111	36C03U-333	Gas Valve	Honeywell
VS8167D1129	36C03U-333	Gas Valve	Honeywell
VS8167D1137	36C03U-333	Gas Valve	Honeywell
VS8178A1004	36C03U-333	Gas Valve	Honeywell
VS8178A1012	36C03U-333	Gas Valve	Honeywell
VS8178A1020	36C03U-433	Gas Valve	Honeywell
VS8178A1038	36C03U-333	Gas Valve	Honeywell
VS8178A1046	36C03U-333	Gas Valve	Honeywell
VS8178A1053	36C03U-333	Gas Valve	Honeywell
VS8178A1061	36C03U-333	Gas Valve	Honeywell
VS8178A1079	36C03U-333	Gas Valve	Honeywell
VS8178A1087	36C03U-333	Gas Valve	Honeywell
VS8178A1095	36C03U-333	Gas Valve	Honeywell
VS8178A1103	36C03U-333	Gas Valve	Honeywell
VS8178A1111	36C03U-433	Gas Valve	Honeywell
VS8178A1129	36C03U-333	Gas Valve	Honeywell
VS8178A1137	36C03U-433	Gas Valve	Honeywell
VS8178B1003	36C03U-433	Gas Valve	Honeywell
VS8178B1011	36C03U-433	Gas Valve	Honeywell
VS8178C1002	36C03U-333	Gas Valve	Honeywell
VS8178C1010	36C03U-333	Gas Valve	Honeywell

## CROSS REFERENCE

PART REPLACING	SUGGESTED REPLACEMENT(S)	PRODUCT CATEGORY	COMPANY NAME
VS8178C1036	36C03U-433	Gas Valve	Honeywell
VS8178C1044	36C03U-333	Gas Valve	Honeywell
VS8178D1019	36C03U-433	Gas Valve	Honeywell
VS8178E1000	36C03U-433	Gas Valve	Honeywell
VS8178E1042	36C03U-433	Gas Valve	Honeywell
VS8178G1008	36C03U-433	Gas Valve	Honeywell
VS8179A1002	36C03U-333	Gas Valve	Honeywell
VS8179A1010	36C03U-433	Gas Valve	Honeywell
VS8179A1028	36C03U-333	Gas Valve	Honeywell
VS8179A1069	36C03U-433	Gas Valve	Honeywell
VS8179A1101	36C03U-433	Gas Valve	Honeywell
VS8179A1127	36C03U-433	Gas Valve	Honeywell
VS8179A1135	36C03U-333	Gas Valve	Honeywell
VS8179A1168	36C03U-333	Gas Valve	Honeywell
VS8179A1184	36C03U-333	Gas Valve	Honeywell
VS8179A1192	36C03U-333	Gas Valve	Honeywell
VS8179A1259	36C03U-333	Gas Valve	Honeywell
VS8179A1275	36C03U-333	Gas Valve	Honeywell
VS8179A1283	36C03U-333	Gas Valve	Honeywell
VS8179A1291	36C03U-333	Gas Valve	Honeywell
VS8179A1309	36C03U-333	Gas Valve	Honeywell
VS8179A1317	36C03U-333	Gas Valve	Honeywell
VS8179A1325	36C03U-433	Gas Valve	Honeywell
VS8179A1333	36C03U-333	Gas Valve	Honeywell
VS8179A1341	36C03U-333	Gas Valve	Honeywell
VS8179A1358	36C03U-433	Gas Valve	Honeywell
VS8179A1366	36C03U-333	Gas Valve	Honeywell
VS8179A1374	36C03U-333	Gas Valve	Honeywell
VS8179A1408	36C03U-333	Gas Valve	Honeywell
VS8179A1416	36C03U-333	Gas Valve	Honeywell
VS8179A1424	36C03U-433	Gas Valve	Honeywell
VS8179A1432	36C03U-333	Gas Valve	Honeywell
VS8179A1440	36C03U-333	Gas Valve	Honeywell
VS8179A1457	36C03U-433	Gas Valve	Honeywell
VS8179B1001	36C03U-433	Gas Valve	Honeywell
VS8179B1019	36C03U-433	Gas Valve	Honeywell
VS8179B1027	36C03U-433	Gas Valve	Honeywell
VS8179B1035	36C03U-433	Gas Valve	Honeywell
VS8179B1043	36C03U-433	Gas Valve	Honeywell
VS8179B1050	36C03U-433	Gas Valve	Honeywell
VS8179B1068	36C03U-433	Gas Valve	Honeywell
VS8179B1076	36C03U-433	Gas Valve	Honeywell
VS8179B1084	36C03U-433	Gas Valve	Honeywell
VS8179B1092	36C03U-433	Gas Valve	Honeywell
VS8179B1100	36C03U-433	Gas Valve	Honeywell
VS8179B1118	36C03U-433	Gas Valve	Honeywell
VS8179B1126	36C03U-433	Gas Valve	Honeywell
VS8179B1134	36C03U-433	Gas Valve	Honeywell
VS8179B1142	36C03U-433	Gas Valve	Honeywell
VS8179C1000	36C03U-333	Gas Valve	Honeywell
VS8179C1018	36C03U-333	Gas Valve	Honeywell
VS8179C1026	36C03U-433	Gas Valve	Honeywell
VS8179C1042	36C03U-333	Gas Valve	Honeywell

PART REPLACING	SUGGESTED REPLACEMENT(S)	PRODUCT CATEGORY	COMPANY NAME
VS8179C1083	36C03U-333	Gas Valve	Honeywell
VS8179C1166	36C03U-333	Gas Valve	Honeywell
VS8179C1174	36C03U-333	Gas Valve	Honeywell
VS8179D1025	36C03U-433	Gas Valve	Honeywell
VS8179D1033	36C03U-433	Gas Valve	Honeywell
VS8179D1074	36C03U-433	Gas Valve	Honeywell
VS8179F1031	36C03U-433	Gas Valve	Honeywell
VS8179F1064	36C03U-433	Gas Valve	Honeywell
VS8179F1098	36C03U-433	Gas Valve	Honeywell
VS8179F1122	36C03U-433	Gas Valve	Honeywell
VS8179F1130	36C03U-433	Gas Valve	Honeywell
VS8179F1148	36C03U-433	Gas Valve	Honeywell
VS8179F1163	36C03U-433	Gas Valve	Honeywell
VS8179G1006	36C03U-433	Gas Valve	Honeywell
VS8179G1030	36C03U-433	Gas Valve	Honeywell
VS8179G1048	36C03U-433	Gas Valve	Honeywell
VS8187A1005	36C03U-433	Gas Valve	Honeywell
VS8187A1013	36C03U-433	Gas Valve	Honeywell
VS8187A1021	36C03U-433	Gas Valve	Honeywell
VS8187A1039	36C03U-433	Gas Valve	Honeywell
VS8187A1054	36C03U-433	Gas Valve	Honeywell
VS8187A1062	36C03U-433	Gas Valve	Honeywell
VS8187A1070	36C03U-433	Gas Valve	Honeywell
VS8187A1088	36C03U-433	Gas Valve	Honeywell
VS8187A1096	36C03U-433	Gas Valve	Honeywell
VS8187A10X4	36C03U-433	Gas Valve	Honeywell
VS8187A10X5	36C03U-433	Gas Valve	Honeywell
VS8187A1104	36C03U-433	Gas Valve	Honeywell
VS8187A1120	36C03U-433	Gas Valve	Honeywell
VS8187A1138	36C03U-433	Gas Valve	Honeywell
VS8187A1146	36C03U-433	Gas Valve	Honeywell
VS8187A1153	36C03U-433	Gas Valve	Honeywell
VS8187A1161	36C03U-433	Gas Valve	Honeywell
VS8187A1179	36C03U-433	Gas Valve	Honeywell
VS8187A1187	36C03U-433	Gas Valve	Honeywell
VS8187A1195	36C03U-433	Gas Valve	Honeywell
VS8187A1203	36C03U-433	Gas Valve	Honeywell
VS8187A1211	36C03U-433	Gas Valve	Honeywell
VS8187A1229	36C03U-433	Gas Valve	Honeywell
VS8187A1268	36C03U-433	Gas Valve	Honeywell
VS8187A1278	36C03U-433	Gas Valve	Honeywell
VS8187A1294	36C03U-433	Gas Valve	Honeywell
VS8187A1302	36C03U-433	Gas Valve	Honeywell
VS8187A1310	36C03U-433	Gas Valve	Honeywell
VS8187A1334	36C03U-433	Gas Valve	Honeywell
VS8187A1336	36C03U-433	Gas Valve	Honeywell
VS8187A1344	36C03U-433	Gas Valve	Honeywell
VS8187A1351	36C03U-433	Gas Valve	Honeywell
VS8187A1369	36C03U-433	Gas Valve	Honeywell
VS8187A1377	36C03U-433	Gas Valve	Honeywell
VS8187A1542	36C03U-433	Gas Valve	Honeywell
VS8187A1559	36C03U-433	Gas Valve	Honeywell

## CROSS REFERENCE

PART REPLACING	SUGGESTED REPLACEMENT(S)	PRODUCT CATEGORY	COMPANY NAME
VS8187A1X3	36C03U-433	Gas Valve	Honeywell
VS8187A1X4	36C03U-433	Gas Valve	Honeywell
VS8187A1X5	36C03U-433	Gas Valve	Honeywell
VS8187A1X6	36C03U-433	Gas Valve	Honeywell
VS8187A2X4	36C03U-433	Gas Valve	Honeywell
VS8187A2X5	36C03U-433	Gas Valve	Honeywell
VS8187A3X3	36C03U-433	Gas Valve	Honeywell
VS8187A3X4	36C03U-433	Gas Valve	Honeywell
VS8187A3X5	36C03U-433	Gas Valve	Honeywell
VS8187A3X6	36C03U-433	Gas Valve	Honeywell
VS8187A4X4	36C03U-433	Gas Valve	Honeywell
VS8187A4X5	36C03U-433	Gas Valve	Honeywell
VS8187A6X5	36C03U-433	Gas Valve	Honeywell
VS8187A7X4	36C03U-433	Gas Valve	Honeywell
VS8187A7X5	36C03U-433	Gas Valve	Honeywell
VS8187A7X6	36C03U-433	Gas Valve	Honeywell
VS8187A8X4	36C03U-433	Gas Valve	Honeywell
VS8187A8X5	36C03U-433	Gas Valve	Honeywell
VS8187A9X4	36C03U-433	Gas Valve	Honeywell
VS8187A9X5	36C03U-433	Gas Valve	Honeywell
VS8187AA9X6	36C03U-433	Gas Valve	Honeywell
VS8187AY5X5	36C03U-433	Gas Valve	Honeywell
VS8190A1017	36C03U-433	Gas Valve	Honeywell
VS8190A1025	36C03U-433	Gas Valve	Honeywell
VS8190A1033	36C03U-433	Gas Valve	Honeywell
VS8190A1041	36C03U-433	Gas Valve	Honeywell
VS8190A1058	36C03U-433	Gas Valve	Honeywell
VS8190A1074	36C03U-433	Gas Valve	Honeywell
VS8190A1082	36C03U-433	Gas Valve	Honeywell
VS8190B1008	36C03U-433	Gas Valve	Honeywell
VS8190B1016	36C03U-433	Gas Valve	Honeywell
VS8190B1024	36C03U-433	Gas Valve	Honeywell
VS8190B1032	36C03U-433	Gas Valve	Honeywell
VS8190B1057	36C03U-433	Gas Valve	Honeywell
VS8190B1065	36C03U-433	Gas Valve	Honeywell
VS8194A1001	36C03U-433	Gas Valve	Honeywell
VS8194A1019	36C03U-433	Gas Valve	Honeywell
VS8194A1027	36C03U-433	Gas Valve	Honeywell
VS8194A1043	36C03U-433	Gas Valve	Honeywell
VS8194A1050	36C03U-433	Gas Valve	Honeywell
VS8194A1054	36C03U-433	Gas Valve	Honeywell
VS8194A1068	36C03U-433	Gas Valve	Honeywell
VS8194A1076	36C03U-433	Gas Valve	Honeywell
VS8194A1084	36C03U-433	Gas Valve	Honeywell
VS8194B1018	36C03U-433	Gas Valve	Honeywell
VS8194B1026	36C03U-433	Gas Valve	Honeywell
VS8194B1067	36C03U-433	Gas Valve	Honeywell
VS8194B1083	36C03U-433	Gas Valve	Honeywell
VS8194B1109	36C03U-433	Gas Valve	Honeywell
VS8194D1009	36C03U-433	Gas Valve	Honeywell
VS8194D1017	36C03U-433	Gas Valve	Honeywell
VS8194D1041	36C03U-433	Gas Valve	Honeywell
VS8194D1058	36C03U-433	Gas Valve	Honeywell
VS8194D1066	36C03U-433	Gas Valve	Honeywell
VS8194D1082	36C03U-433	Gas Valve	Honeywell

PART REPLACING	SUGGESTED REPLACEMENT(S)	PRODUCT CATEGORY	COMPANY NAME
VS8194E1008	36C03U-433	Gas Valve	Honeywell
VS8194E1016	36C03U-433	Gas Valve	Honeywell
VS8194E1049	36C03U-433	Gas Valve	Honeywell
VS8194E1130	36C03U-433	Gas Valve	Honeywell
VS8194E1189	36C03U-433	Gas Valve	Honeywell
VS8194E1213	36C03U-433	Gas Valve	Honeywell
VS8194E1239	36C03U-433	Gas Valve	Honeywell
VS8194E1254	36C03U-433	Gas Valve	Honeywell
VS8194E1262	36C03U-433	Gas Valve	Honeywell
VS8194E1270	36C03U-433	Gas Valve	Honeywell
VS8194E1288	36C03U-433	Gas Valve	Honeywell
VS8194E1296	36C03U-433	Gas Valve	Honeywell
VS8194E1304	36C03U-433	Gas Valve	Honeywell
VS8194E1312	36C03U-433	Gas Valve	Honeywell
VS8194E1320	36C03U-433	Gas Valve	Honeywell
VS8194E1346	36C03U-433	Gas Valve	Honeywell
VS8194E1361	36C03U-433	Gas Valve	Honeywell
VS8194E1379	36C03U-433	Gas Valve	Honeywell
VS8194F1022	36C03U-433	Gas Valve	Honeywell
VS8194F1063	36C03U-433	Gas Valve	Honeywell
VS8194F1071	36C03U-433	Gas Valve	Honeywell
VS8194F1113	36C03U-433	Gas Valve	Honeywell
VS8194F1121	36C03U-433	Gas Valve	Honeywell
VS8194F1188	36C03U-433	Gas Valve	Honeywell
VS8194F1196	36C03U-433	Gas Valve	Honeywell
VS8194F1212	36C03U-433	Gas Valve	Honeywell
VS8194F1220	36C03U-433	Gas Valve	Honeywell
VS8194F1238	36C03U-433	Gas Valve	Honeywell
VS8194P1005	36C03U-433	Gas Valve	Honeywell
VS8194R1003	36C03U-433	Gas Valve	Honeywell
VS8194R1011	36C03U-433	Gas Valve	Honeywell
VS8194R1029	36C03U-433	Gas Valve	Honeywell
VS8194R1037	36C03U-433	Gas Valve	Honeywell
VS820A1021	36C03U-433	Gas Valve	Honeywell
VS820A1047	36C03U-333	Gas Valve	Honeywell
VS820A1054	36C03U-433	Gas Valve	Honeywell
VS820A1062	36C03U-333	Gas Valve	Honeywell
VS820A1088	36C03U-333	Gas Valve	Honeywell
VS820A1096	36C03U-433	Gas Valve	Honeywell
VS820A1112	36C03U-333	Gas Valve	Honeywell
VS820A1120	36C03U-433	Gas Valve	Honeywell
VS820A1153	36C03U-433	Gas Valve	Honeywell
VS820A1195	36C03U-433	Gas Valve	Honeywell
VS820A1211	36C03U-433	Gas Valve	Honeywell
VS820A1260	36C03U-433	Gas Valve	Honeywell
VS820A1286	36C03U-433	Gas Valve	Honeywell
VS820A1294	36C03U-433	Gas Valve	Honeywell
VS820A1302	36C03U-433	Gas Valve	Honeywell
VS820A1310	36C03U-433	Gas Valve	Honeywell
VS820A1336	36C03U-433	Gas Valve	Honeywell
VS820B1003	36C03U-433	Gas Valve	Honeywell
VS820B1011	36C03U-433	Gas Valve	Honeywell
VS820B1029	36C03U-433	Gas Valve	Honeywell
VS820B1037	36C03U-433	Gas Valve	Honeywell
VS820B1045	36C03U-433	Gas Valve	Honeywell

## CROSS REFERENCE

PART REPLACING	SUGGESTED REPLACEMENT(S)	PRODUCT CATEGORY	COMPANY NAME
VS820B1078	36C03U-333	Gas Valve	Honeywell
VS820B1086	36C03U-433	Gas Valve	Honeywell
VS820B1102	36C03U-433	Gas Valve	Honeywell
VS820C1019	36C03U-433	Gas Valve	Honeywell
VS820C1076	36C03U-433	Gas Valve	Honeywell
VS820C1183	36C03U-433	Gas Valve	Honeywell
VS820D1041	36C03U-433	Gas Valve	Honeywell
VS820E1006	36C03U-433	Gas Valve	Honeywell
VS820H1018	36C03U-433	Gas Valve	Honeywell
VS820H1026	36C03U-433	Gas Valve	Honeywell
VS820H1091	36C03U-433	Gas Valve	Honeywell
VS820H1109	36C03U-433	Gas Valve	Honeywell
VS820H1117	36C03U-433	Gas Valve	Honeywell
VS820H1125	36C03U-433	Gas Valve	Honeywell
VS820H1190	36C03U-433	Gas Valve	Honeywell
VS820M1309	36C03U-433	Gas Valve	Honeywell
VS820Q1000	36C03U-433	Gas Valve	Honeywell
VS820Q1018	36C03U-433	Gas Valve	Honeywell
VS820Q1026	36C03U-333	Gas Valve	Honeywell
VS820Q1034	36C03U-433	Gas Valve	Honeywell
VS820Q1042	36C03U-433	Gas Valve	Honeywell
VS820Q1059	36C03U-433	Gas Valve	Honeywell
VS820R1032	36C03U-433	Gas Valve	Honeywell
VS820R1040	36C03U-433	Gas Valve	Honeywell
VS820V1030	36C03U-433	Gas Valve	Honeywell
VS821A1004	36C03U-333	Gas Valve	Honeywell
VS821A1020	36C03U-433	Gas Valve	Honeywell
VS821A1053	36C03U-433	Gas Valve	Honeywell
VS821B1002	36C03U-333	Gas Valve	Honeywell
VS8233A1007	36C03U-333	Gas Valve	Honeywell
VS8233A1023	36C03U-333	Gas Valve	Honeywell
VS8233A1031	36C03U-333	Gas Valve	Honeywell
VS8233A1049	36C03U-333	Gas Valve	Honeywell
VS8233A1056	36C03U-333	Gas Valve	Honeywell
VS8233A1064	36C03U-333	Gas Valve	Honeywell
VS8233A1072	36C03U-333	Gas Valve	Honeywell
VS8233A1080	36C03U-333	Gas Valve	Honeywell
VS8233A1106	36C03U-333	Gas Valve	Honeywell
VS8233A1114	36C03U-333	Gas Valve	Honeywell
VS8233A1122	36C03U-333	Gas Valve	Honeywell
VS8233A1130	36C03U-333	Gas Valve	Honeywell
VS8233B1006	36C03U-433	Gas Valve	Honeywell
VS8233B1014	36C03U-433	Gas Valve	Honeywell
VS8233B1022	36C03U-433	Gas Valve	Honeywell
VS8233B1030	36C03U-433	Gas Valve	Honeywell
VS8233B1048	36C03U-433	Gas Valve	Honeywell
VS8233B1055	36C03U-433	Gas Valve	Honeywell
VS8233B1063	36C03U-433	Gas Valve	Honeywell
VS8233B1071	36C03U-433	Gas Valve	Honeywell
VS8233B1089	36C03U-433	Gas Valve	Honeywell
VS8233B1097	36C03U-433	Gas Valve	Honeywell
VS8233B1105	36C03U-433	Gas Valve	Honeywell
VS8233B1113	36C03U-433	Gas Valve	Honeywell
VS8233B1121	36C03U-433	Gas Valve	Honeywell
VS8233B2X21	36C03U-433	Gas Valve	Honeywell

PART REPLACING	SUGGESTED REPLACEMENT(S)	PRODUCT CATEGORY	COMPANY NAME
VS8233B2X4	36C03U-433	Gas Valve	Honeywell
VS8233B3X4	36C03U-433	Gas Valve	Honeywell
VS8233B4X21	36C03U-433	Gas Valve	Honeywell
VS8233B4X4	36C03U-433	Gas Valve	Honeywell
VS8233C1005	36C03U-333	Gas Valve	Honeywell
VS8233C1013	36C03U-333	Gas Valve	Honeywell
VS8233D1004	36C03U-333	Gas Valve	Honeywell
VS8233D1012	36C03U-333	Gas Valve	Honeywell
VS8233E1003	36C03U-333	Gas Valve	Honeywell
VS8238A1022	36C03U-333	Gas Valve	Honeywell
VS824B1017	36C03U-433	Gas Valve	Honeywell
VS8279A1000	36C03U-333	Gas Valve	Honeywell
VS8279A1018	36C03U-333	Gas Valve	Honeywell
VS8279A1034	36C03U-333	Gas Valve	Honeywell
VS8279A1042	36C03U-333	Gas Valve	Honeywell
VS8279A1067	36C03U-333	Gas Valve	Honeywell
VS8279A1075	36C03U-333	Gas Valve	Honeywell
VS8279A1083	36C03U-333	Gas Valve	Honeywell
VS8279A1117	36C03U-333	Gas Valve	Honeywell
VS8279A1133	36C03U-333	Gas Valve	Honeywell
VS8279A1141	36C03U-333	Gas Valve	Honeywell
VS8279A1158	36C03U-333	Gas Valve	Honeywell
VS8279A1166	36C03U-333	Gas Valve	Honeywell
VS8279B1009	36C03U-433	Gas Valve	Honeywell
VS8279B1025	36C03U-433	Gas Valve	Honeywell
VS8279B1033	36C03U-433	Gas Valve	Honeywell
VS8279B1041	36C03U-433	Gas Valve	Honeywell
VS8279C1024	36C03U-433	Gas Valve	Honeywell
VS8279C1032	36C03U-433	Gas Valve	Honeywell
VS8279C1057	36C03U-433	Gas Valve	Honeywell
VS8279C1081	36C03U-433	Gas Valve	Honeywell
VS8279C1099	36C03U-433	Gas Valve	Honeywell
VS8279C1107	36C03U-433	Gas Valve	Honeywell
VS8279D1015	36C03U-433	Gas Valve	Honeywell
VS8291A1005	36C03U-433	Gas Valve	Honeywell
VS8291A1013	36C03U-433	Gas Valve	Honeywell
VS8291A1021	36C03U-433	Gas Valve	Honeywell
VS8291A1039	36C03U-433	Gas Valve	Honeywell
VS8291A1047	36C03U-433	Gas Valve	Honeywell
VS8291B1004	36C03U-433	Gas Valve	Honeywell
VS8291C1003	36C03U-433	Gas Valve	Honeywell
VS8291C1011	36C03U-433	Gas Valve	Honeywell
VS8291C1029	36C03U-433	Gas Valve	Honeywell
VS8291C1037	36C03U-433	Gas Valve	Honeywell
VS8291C1045	36C03U-433	Gas Valve	Honeywell
VS8291D1002	36C03U-433	Gas Valve	Honeywell
VS8291E1001	36C03U-433	Gas Valve	Honeywell
VS8295A1006	36C03U-333	Gas Valve	Honeywell
VS8310B1002	36C03U-433	Gas Valve	Honeywell
VS8310B1010	36C03U-433	Gas Valve	Honeywell
VS8310B1028	36C03U-433	Gas Valve	Honeywell
VS880A1002	36C03U-433	Gas Valve	Honeywell
VS880A1010	36C03U-433	Gas Valve	Honeywell
VS880H1007	36C03U-433	Gas Valve	Honeywell
VS880H1023	36C03U-433	Gas Valve	Honeywell

## CROSS REFERENCE

PART REPLACING	SUGGESTED REPLACEMENT(S)	PRODUCT CATEGORY	COMPANY NAME
VS880H1031	36C03U-433	Gas Valve	Honeywell
VS880M1006	36C03U-433	Gas Valve	Honeywell
VS880M1014	36C03U-433	Gas Valve	Honeywell
VS880M1022	36C03U-433	Gas Valve	Honeywell
VS880M1030	36C03U-433	Gas Valve	Honeywell
VS880N1003	36C03U-433	Gas Valve	Honeywell
W01033	36G22-254	Gas Valve	Systems Controls
W01033B	36G22-254	Gas Valve	Systems Controls
W01033NCB	36G22-254	Gas Valve	Systems Controls
W01033SA	36J24-214	Gas Valve	Systems Controls
W01034B	36J54-214	Gas Valve	Systems Controls
W01034NCB	36J54-214	Gas Valve	Systems Controls
W010832-409	36H32-423	Gas Valve	Systems Controls
W1001	47D01U-843	Defrost Ctl.	Goodman
W1001-4	47D01U-843	Defrost Ctl.	ICM
W10118312	25M01A-101	Gas Valve	Whirlpool
W10141728	25M01A-101	Gas Valve	Whirlpool
W725-0064	36J54-214	Gas Valve	Wolf Steel
WE00X65	25M01A-101	Gas Valve	GE
WFR128099	36H32-423	Gas Valve	Whirlpool
WFR128979	36J22-214	Gas Valve	Whirlpool
WG37X11	21D64-44	Ignitor	GE
WG37X34	21D64-44	Ignitor	Hotpoint
X13120419030	36H32-423	Gas Valve	Trane
X13120516030	36H64-463	Gas Valve	Trane
X13120645010	36J54-214	Gas Valve	Trane
X13120650010	36J54-214, 36H64-463	Gas Valve	Trane
X13120654010	36J24-214	Gas Valve	Trane
X13120655010	36J22-214, 36H32-214	Gas Valve	Trane
X13120657010	36J22-214, 36H32-214	Gas Valve	Trane
X13120660010	36H64-463	Gas Valve	Trane
X13120660020	36H64-463	Gas Valve	Trane
X13120661010	21D64-2, 21D64-44	Ignitor	Trane
X13120662010	F50N02-820	RTU Control	Trane
X13120666010	50M56X-843, 50A55-843, 50M56U-843	Furnace Ctl.	Trane
X13120667010	50A65-843	Furnace Ctl.	Trane
X13120668010	36J24-214	Gas Valve	Trane
X13120669010	36J22-214, 36H32-214	Gas Valve	Trane
X13120672010	36J22-214, 36H32-214	Gas Valve	Trane
X13120673010	36J54-214, 36H64-463	Gas Valve	Trane
X13120674010	36J54-214, 36H64-463	Gas Valve	Trane
X13120676010	36J54-214, 36H64-463	Gas Valve	Trane
X13120680010	36H64-463	Gas Valve	Trane
X13120682010	36H32-423	Gas Valve	Trane
X13129702001	36H32-423	Gas Valve	Trane
X13130193-04	50E47U-843, 50E47-843	Ign. Module	Trane
X13130195010	21D64-44	Ignitor	Trane
X13130195020	21D64-44	Ignitor	Trane
X13130428010	3046-5	Flame Sensor	Trane
X13130429020	3098-134	Flame Sensor	Trane

PART REPLACING	SUGGESTED REPLACEMENT(S)	PRODUCT CATEGORY	COMPANY NAME
X13130429030	3098-156	Flame Sensor	Trane
X13130429040	30A46-5	Flame Sensor	Trane
X13130431010	36C03-333, 36C03-300, 36C03-433	Gas Valve	Trane
X13130431020	36C03-433, 36C03-400	Gas Valve	Trane
X13130431030	36C03U-333, 36C03U-433	Gas Valve	Trane
X13130431040	36C03U-433	Gas Valve	Trane
X13130431050	36C03-300, 36C03-333, 36C03-433	Gas Valve	Trane
X13130431070	36C03-400, 36C03-433	Gas Valve	Trane
X13130435010	5059-134	Pilot Control	Trane
X13130436-01	50M56X-843, 50A55-843, 50M56U-843	Furnace Ctl.	Trane
X13130436010	50M56X-843, 50A55-843, 50M56U-843	Furnace Ctl.	Trane
X13130436-02	50M56X-843, 50A55-843, 50M56U-843	Furnace Ctl.	Trane
X13130436-04	50M56X-843, 50A55-843, 50M56U-843	Furnace Ctl.	Trane
X13130436040	50M56X-843, 50A55-843, 50M56U-843	Furnace Ctl.	Trane
X13130437-01	50E47U-843, 50E47-843	Ign. Module	Trane
X13130437010	50E47U-843, 50E47-843	Ign. Module	Trane
X13130437020	50E47U-843, 50E47-843	Ign. Module	Trane
X13130437-03	50E47U-843, 50E47-843	Ign. Module	Trane
X13130437030	50E47U-843, 50E47-843	Ign. Module	Trane
X13130437040	50E47U-843, 50E47-843	Ign. Module	Trane
X13130437060	50E47U-843, 50E47-843	Ign. Module	Trane
X13130437080	50E47U-843, 50E47-843	Ign. Module	Trane
X13130441010	36H32-304, 36H32-423	Gas Valve	Trane
X13130441040	36C94-303	Gas Valve	Trane
X13130449-01	50E70-820	RTU Control	Trane
X13130453-01	50E70-820	RTU Control	Trane
X13130454-01	50E70-820	RTU Control	Trane
X13130454-02	50E70-820	RTU Control	Trane
X13130524010	768A-845	Ignitor	Trane
X13130545010	760-56	Flame Sensor	Trane
X13640678040	50M56X-843, 50A55-3797, 50M56U-843	Furnace Ctl.	Trane
X13650597010	50M56X-843, 50A55-843, 50M56U-843	Furnace Ctl.	Trane
X13650818030	50M56X-843, 50A65-5165, 50A65-843	Furnace Ctl.	Trane
X13650839010	21M51U-843	Furnace Ctl.	Trane
X13650840010	21V51U-843	Furnace Ctl.	Trane
X13650873-01	50N02A-820	RTU Control	Trane
X13650874-01	50N02A-820	RTU Control	Trane
X13650874010	50N02A-820	RTU Control	Trane
X13650875-01	50N02B-820	RTU Control	Trane
X13690231010	47D01U-843	Defrost Ctl.	Trane
X13690250370	47D01U-843	Defrost Ctl.	Trane
X13690250380	47D01U-843	Defrost Ctl.	Trane
X13690250440	47D01U-843	Defrost Ctl.	Trane
X13690250450	47D01U-843	Defrost Ctl.	Trane
X13690250550V	47D01U-843	Defrost Ctl.	Trane
X13690250590	47D01U-843	Defrost Ctl.	Trane
X15200064070	36C94-906	Gas Valve	Trane
X15200066100	36C53-418	Gas Valve	Trane
X15200067030	36H32-214, 36H32-304, 36H32-423	Gas Valve	Trane
X15200711010	36H32-423	Gas Valve	Trane



PART REPLACING	SUGGESTED REPLACEMENT(S)	PRODUCT CATEGORY	COMPANY NAME
X15200719010	36H64-463	Gas Valve	Trane
X15200720010	36C84-945	Gas Valve	Trane
X24080128020	3049-115	Flame Sensor	Trane
X24080134010	21D64-44	Ignitor	Trane
X24080137020	5059-134	Pilot Control	Trane
X24080149010	21D64-44	Ignitor	Trane
X324601	50E47U-843, 50E47-843	Ign. Module	Lennox
X4459	50M56X-843, 50M56U-843, 50A55-843	Furnace Ctl.	Lennox
X445901	50M56X-843, 50M56U-843, 50A55-843	Furnace Ctl.	Lennox
X55010008370	36H32-423	Gas Valve	Trane
X55010201090	36C03-433, 36C03-400	Gas Valve	Trane
X852601	50D50U-843	Ign. Module	Lennox
X852701	50D50U-843	Ign. Module	Lennox
X852801	36H32-423	Gas Valve	Lennox
X852901	36H33-412	Gas Valve	Lennox
X8609	50F06-843	Fan Blower Ctl.	Lennox
X860901	50F06-843	Fan Blower Ctl.	Lennox
X928101	21D64-2, 21D64-44	Ignitor	Lennox
Y4151	21M51U-843	Furnace Ctl.	Lennox
Y4152	21V51U-843	Furnace Ctl.	Lennox
Y-67610	21D64-44	Ignitor	SHI
Y79ABC-1	50D50U-843	Ign. Module	Johnson Controls
Y79ABC-2	50D50U-843	Ign. Module	Johnson Controls
Y79ABC-3	50D50U-843	Ign. Module	Johnson Controls
Y79ABC-4	50D50U-843	Ign. Module	Johnson Controls
Y79ABC-5	50D50U-843	Ign. Module	Johnson Controls
Y79ABC-6	50D50U-843	Ign. Module	Johnson Controls
Y79ABC-7	50D50U-843	Ign. Module	Johnson Controls
Y79ABCD-2	50D50U-843	Ign. Module	Johnson Controls
Y79ABD-1	50D50U-843	Ign. Module	Johnson Controls
Y79ABD-2	50D50U-843	Ign. Module	Johnson Controls
Y79BBA-1	50D50U-843	Ign. Module	Johnson Controls
Y79BBA-2	50D50U-843	Ign. Module	Johnson Controls
Z085153	50D50U-843	Ign. Module	Groen
ZCO-350	21D64-44	Ignitor	Grimsby

# Download White-Rodgers Mobile

Quickly find the HVAC replacement part you need, access product and installation information, plus priority technical support—all while on the job.



OPEN CAMERA & SCAN



## CONTRACTOR SUPPORT AT YOUR FINGERTIPS.

Make every job easier with the White-Rodgers mobile app.  
**Download and Go!**



To learn more, visit [copeland.com/white-rodgers](https://copeland.com/white-rodgers)

R-4853-4 (8/23) ©2025 Copeland LP.

**WHITE-RODGERS**  
by **COPELAND**